

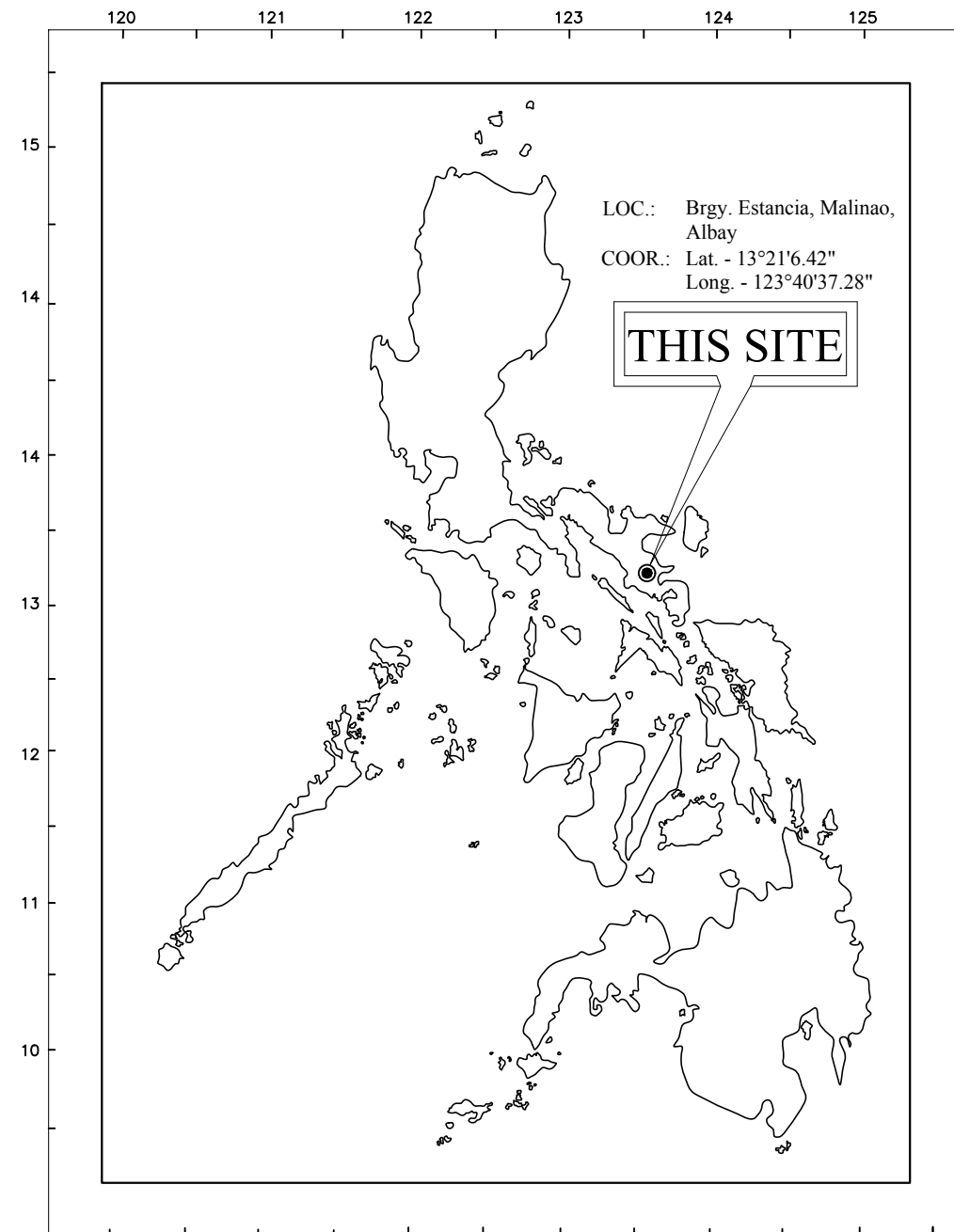
REPUBLIC OF THE PHILIPPINES
DEPARTMENT OF AGRICULTURE
REGIONAL FIELD UNIT NO.5
SAN AGUSTIN, PILI, CAMARINES SUR.

PROJECT TITLE:

**CONSTRUCTION OF CANAL EXTENSION
OF PUROK-4 ESTANCIA DD**
LOCATION: BRGY. ESTANCIA, MALINAO, ALBAY

PREPARED BY:
RAED OFFICE





L O C A T I O N M A P

SHEET CONTENT :


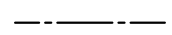

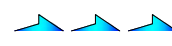


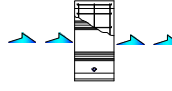

A3 1/6	LOCATION MAP SHEET CONTENT
A3 2/6	FARM PLAN
A3 3/6	PROFILE ALONG CENTER LINE OF CANAL A AND B PROFILE ALONG CENTER LINE OF LATERAL CANAL
A3 4/6	TYPICAL CONC. CANAL DETAIL DIVISION BOX DETAIL END CHECK DETAIL TRACTOR CROSSING DETAIL
A3 5/6	DETAIL OF PROJECT MARKER
A3 6/6	DETAIL OF PROJECT BILLBOARD

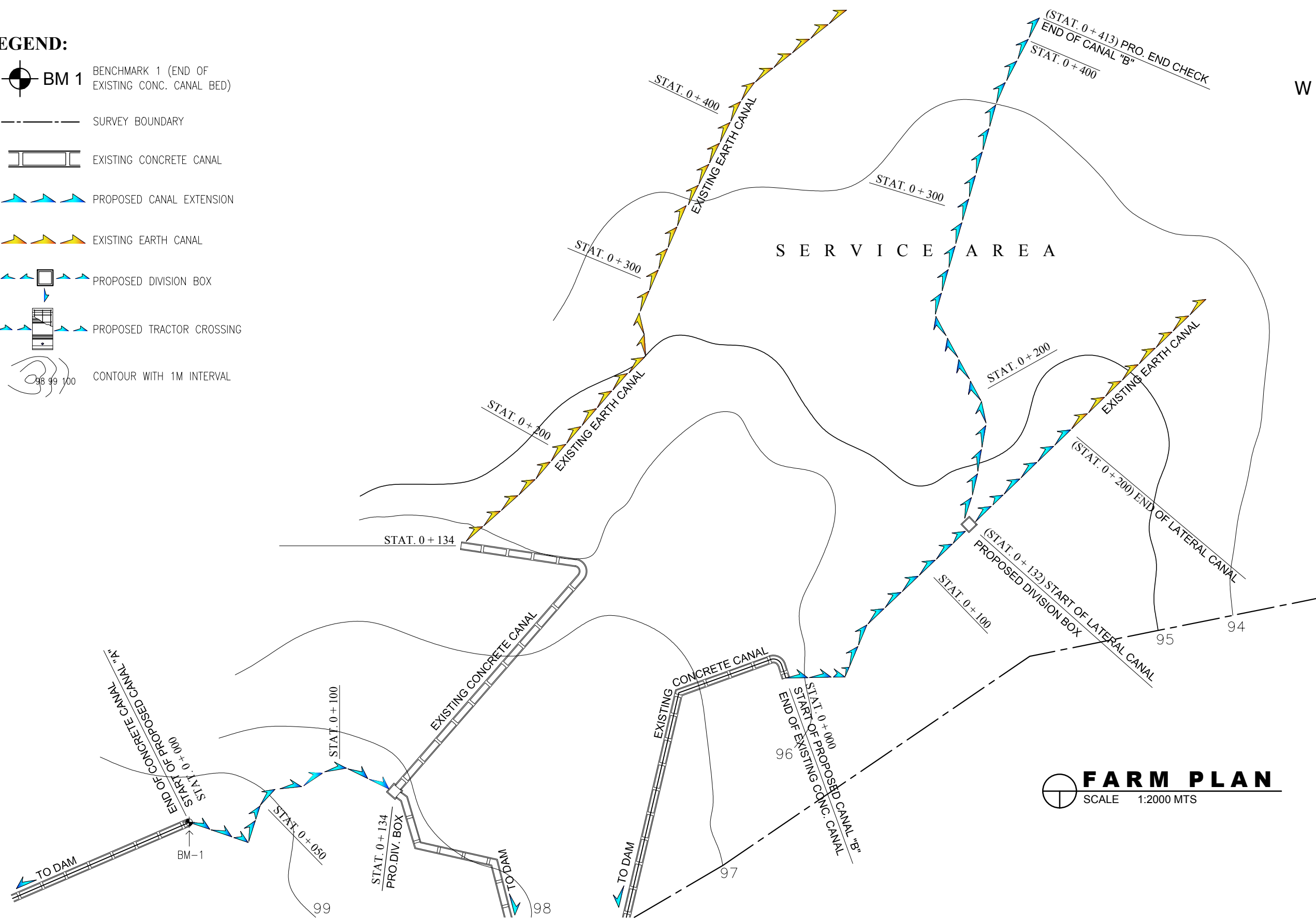
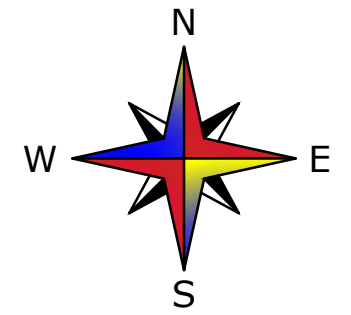


REPUBLIC OF THE PHILIPPINES
DEPARTMENT OF AGRICULTURE
REGIONAL FIELD UNIT NO. 5
SAN AGUSTIN, PILI, CAMARINES SUR


Name of Project: CONSTRUCTION OF CANAL EXTENSION OF PUROK-4 ESTACIA DD		Prepared by: <u>ENGR. ARJAY P. TAPIA</u> Technical Staff	Checked by: <u>LEONIDES L. BULALACAO Jr.</u> Surveyor, Farm Supervisor	Reviewed by: <u>ENGR. JERRY A. EBOÑA</u> EPDSS Head, Engineer III	Submitted by: <u>ENGR. NILDA T. ALBAÑO</u> Chief RAED	Recommending Approval: <u>LUZ R. MARCELINO</u> RTD. for Operation and Extension	Approved by: <u>RODEL P. TORNILLA, MABE</u> Regional Executive Director	CAD by: Rjhay001
Location: Brgy. Estancia, Malinao, Albay	Fund Source: RICE PROGRAM	Sheet Content: AS SHOWN						DATE: 2020
								Sheet No.: 1/6

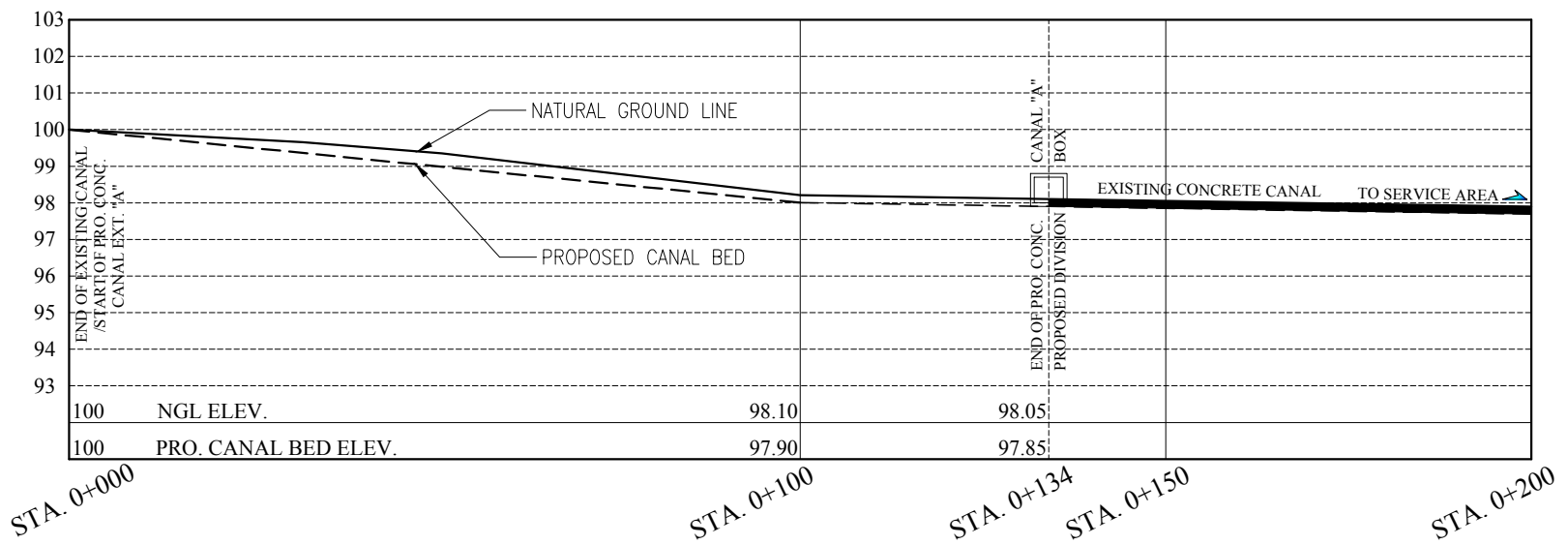
LEGEND:

-  **BM 1** BENCHMARK 1 (END OF EXISTING CONC. CANAL BED)
-  SURVEY BOUNDARY
-  EXISTING CONCRETE CANAL
-  PROPOSED CANAL EXTENSION
-  EXISTING EARTH CANAL
-  PROPOSED DIVISION BOX
-  PROPOSED TRACTOR CROSSING
-  CONTOUR WITH 1M INTERVAL

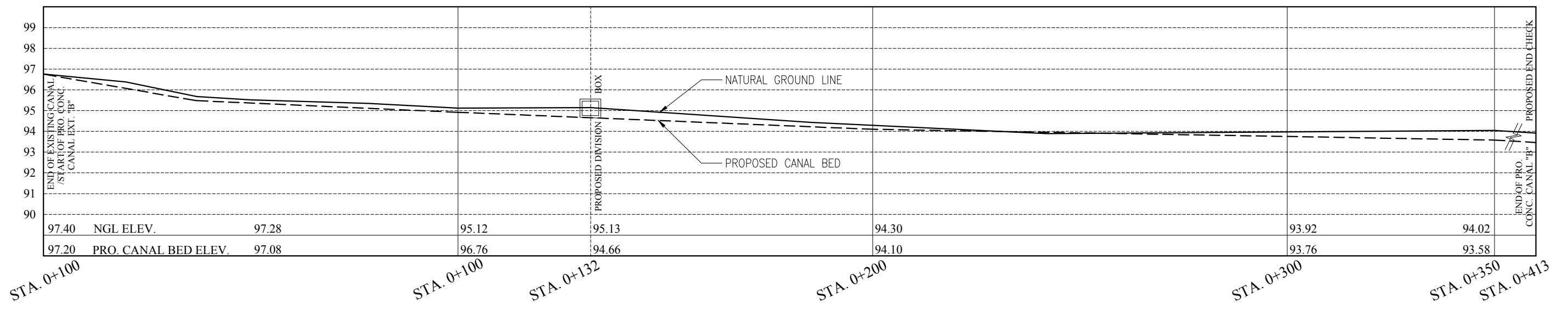


FARM PLAN
SCALE 1:2000 MTS

 <p>REPUBLIC OF THE PHILIPPINES DEPARTMENT OF AGRICULTURE REGIONAL FIELD UNIT NO. 5 SAN AGUSTIN, PILI, CAMARINES SUR</p>	Name of Project: CONSTRUCTION OF CANAL EXTENSION OF PUROK-4 ESTACIA DD		Prepared by: ENGR. ARJAY P. TAPIA Technical Staff	Checked by: LEONIDES L. BULALACAO Jr. Surveyor, Farm Supervisor	Reviewed by: ENGR. JERRY A. EBOÑA EPDSS Head, Engineer III	Submitted by: ENGR. NILDA T. ALBAÑO Chief RAED	Recommending Approval: LUZ R. MARCELINO RTD. for Operation and Extension	Approved by: RODEL P. TORNILLA, MABE Regional Executive Director	CAD by: Rjhay001
	Location: Brgy. Estancia, Malinao, Albay		Fund Source: RICE PROGRAM		Sheet Content: AS SHOWN				DATE: 2020
									Sheet No.:
									2 / 6



PROFILE ALONG CENTERLINE OF PROPOSED CANAL EXTENSION "A"
 SCALE V - 1: 200; H - 1:1000 MTS.



PROFILE ALONG CENTERLINE OF PROPOSED CANAL EXTENSION "B"
 SCALE V - 1: 200; H - 1:1000 MTS.

Name of Project: CONSTRUCTION OF CANAL EXTENSION OF PUROK-4 ESTACIA DD	
Location: Brgy. Estancia, Malinao, Albay	
Fund Source: RICE PROGRAM	Sheet Content: AS SHOWN

Prepared by:
ENGR. ARJAY P. TAPIA
Technical Staff

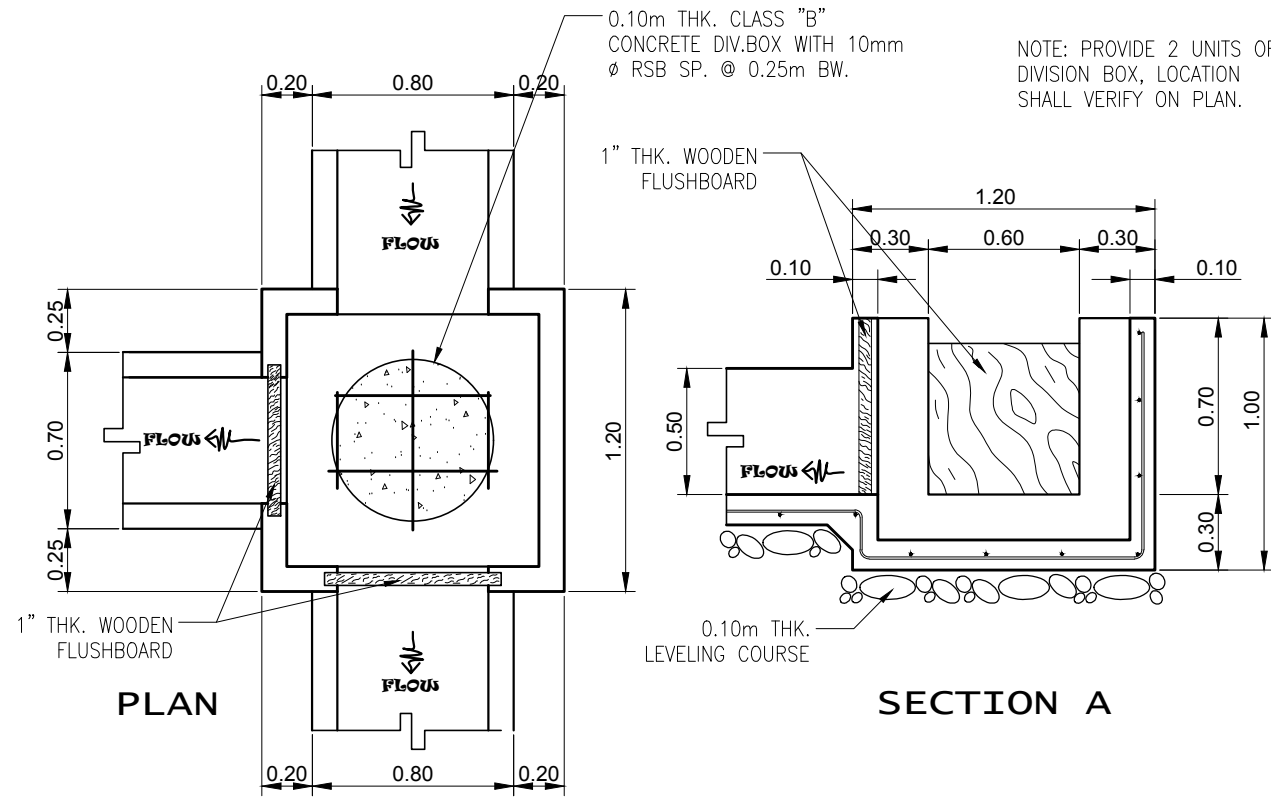
Checked by:
LEONIDES L. BULALACAO Jr.
Surveyor, Farm Supervisor

Reviewed by:
ENGR. JERRY A. EBOÑA
EPDSS Head, Engineer III

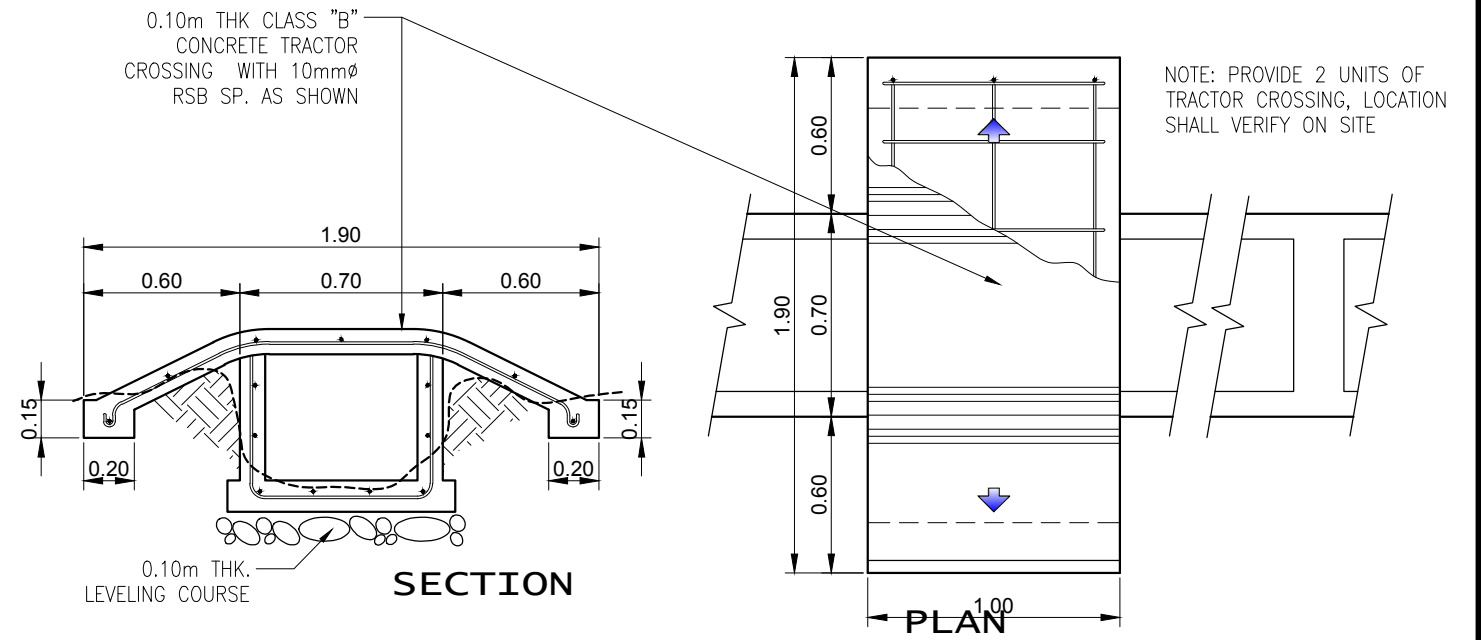
Submitted by:
ENGR. NILDA T. ALBAÑO
Chief RAED

Recommending Approval:
LUZ R. MARCELINO
RTD. for Operation and Extension

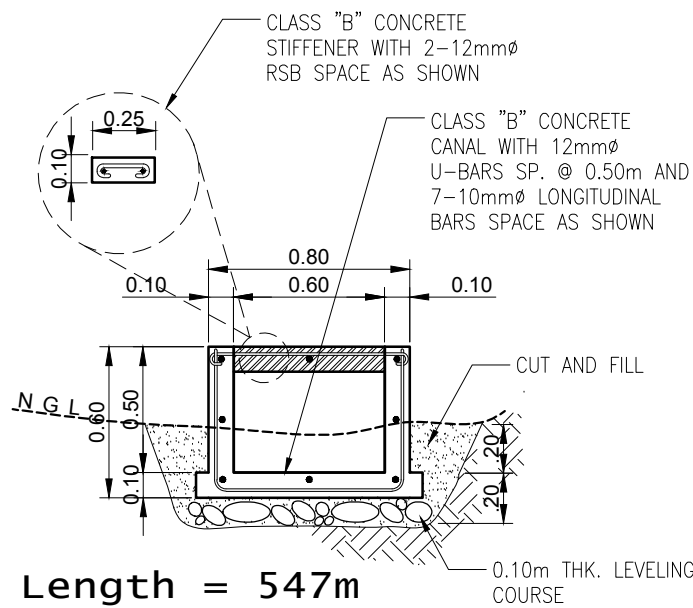
Approved by:
RODEL P. TORNILLA, MABE
Regional Executive Director



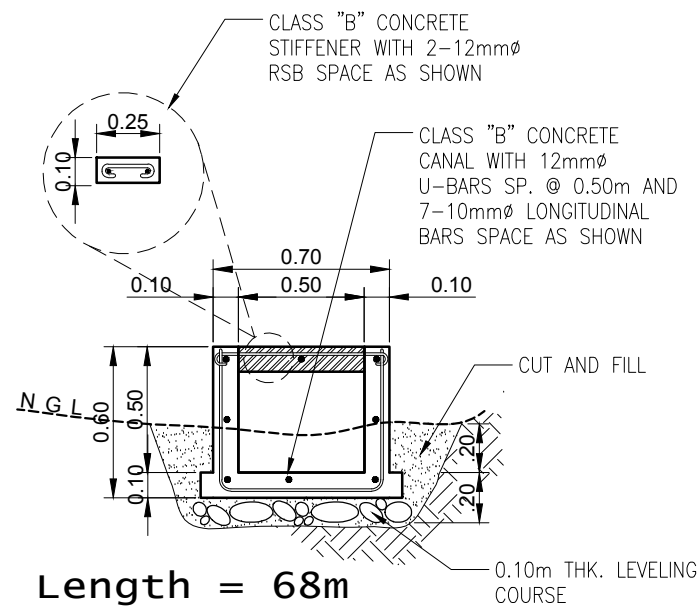
DIVISION BOX LEFT
SCALE 1: 30 MTS.



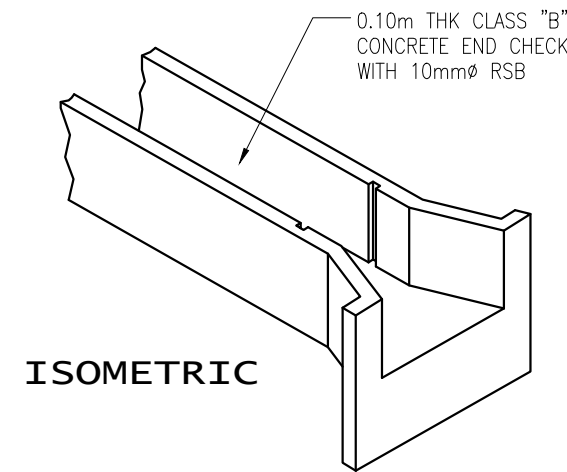
TRACTOR CROSSING
SCALE 1: 30 MTS.



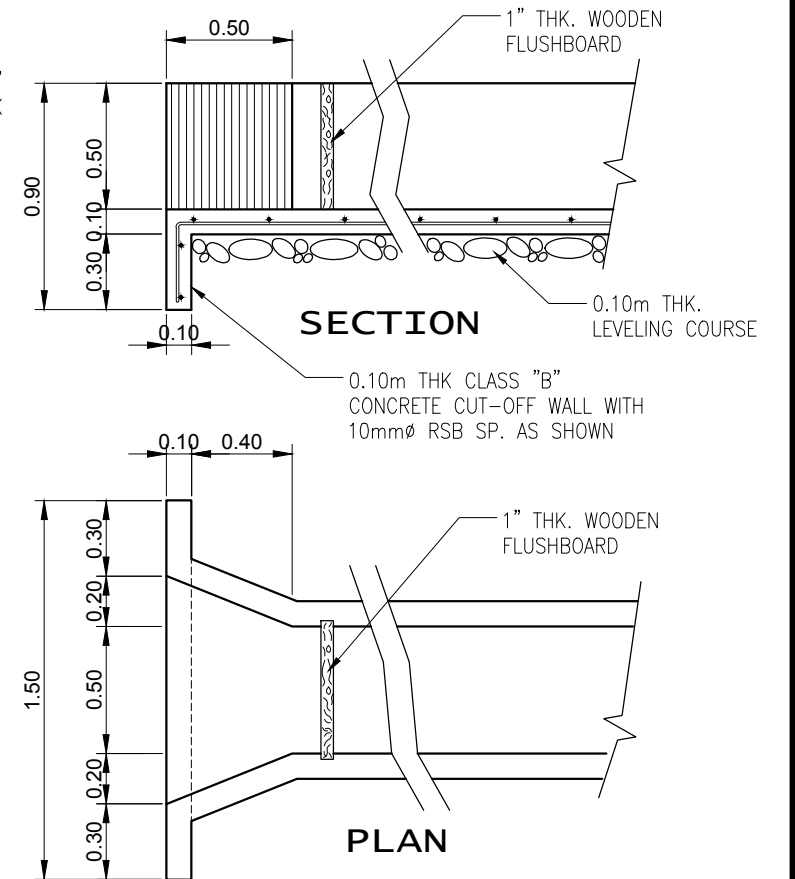
CANAL DETAIL "A" AND "B"
SCALE 1: 30 MTS.



LATERAL CANAL DETAIL
SCALE 1: 30 MTS.



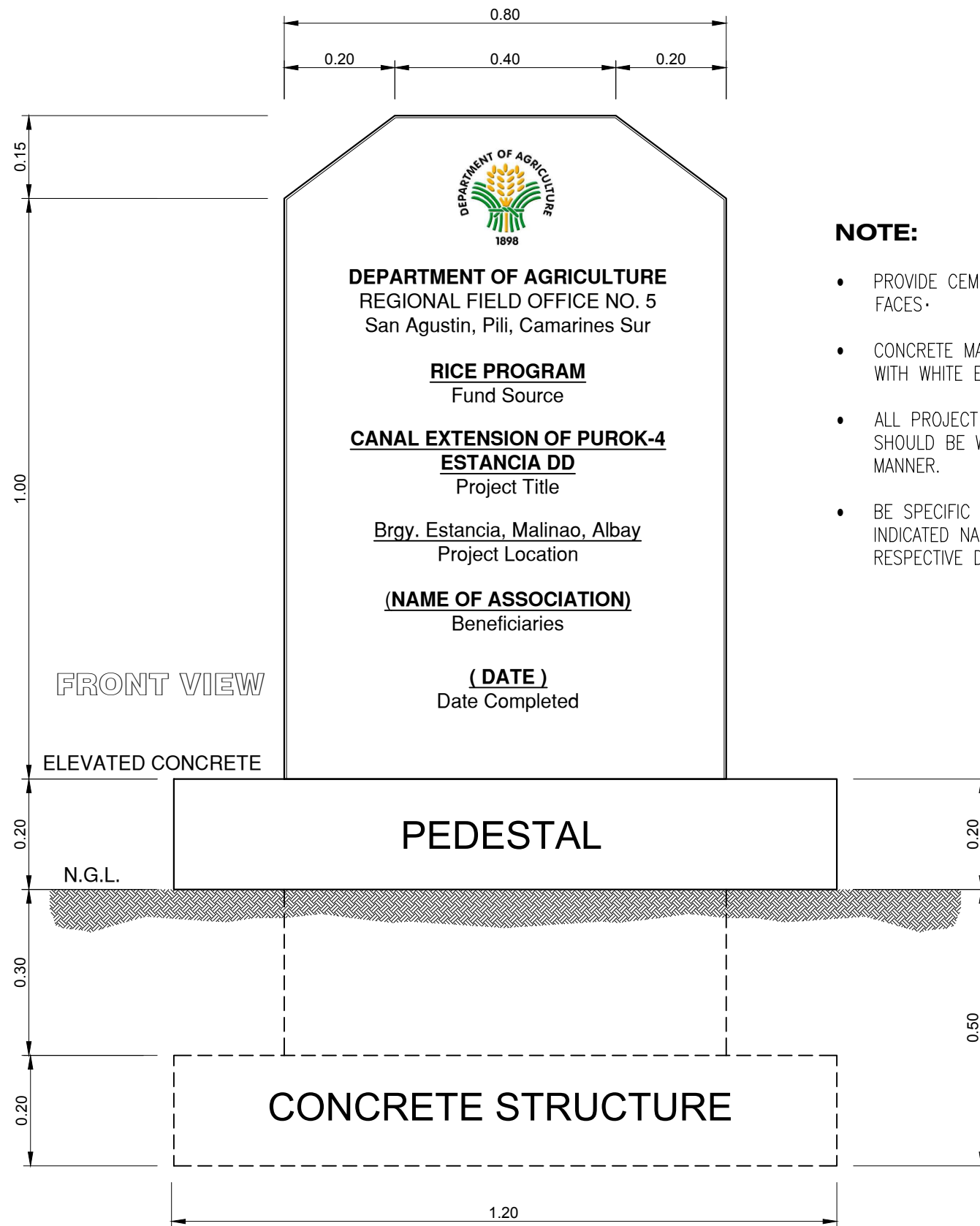
END CHECK DETAIL
SCALE 1: 30 MTS.



<p>REPUBLIC OF THE PHILIPPINES DEPARTMENT OF AGRICULTURE REGIONAL FIELD UNIT NO. 5 SAN AGUSTIN, PILI, CAMARINES SUR</p>	Name of Project:	Prepared by:	Checked by:	Reviewed by:	Submitted by:	Recommending Approval:	Approved by:	CAD by:	
	CONSTRUCTION OF CANAL EXTENSION OF PUROK-4 ESTACIA DD	ENGR. ARJAY P. TAPIA Technical Staff	LEONIDES L. BULALACAO Jr. Surveyor, Farm Supervisor	ENGR. JERRY A. EBOÑA EPDSS Head, Engineer III	ENGR. NILDA T. ALBAÑO Chief RAED	LUZ R. MARCELINO RTD. for Operation and Extension	RODEL P. TORNILLA, MABE Regional Executive Director	Rhay001	
	Location:	Brgy. Estancia, Malinao, Albay						DATE:	
	Fund Source:	Sheet Content:							2020
	RICE PROGRAM	AS SHOWN							Sheet No.: 4/6

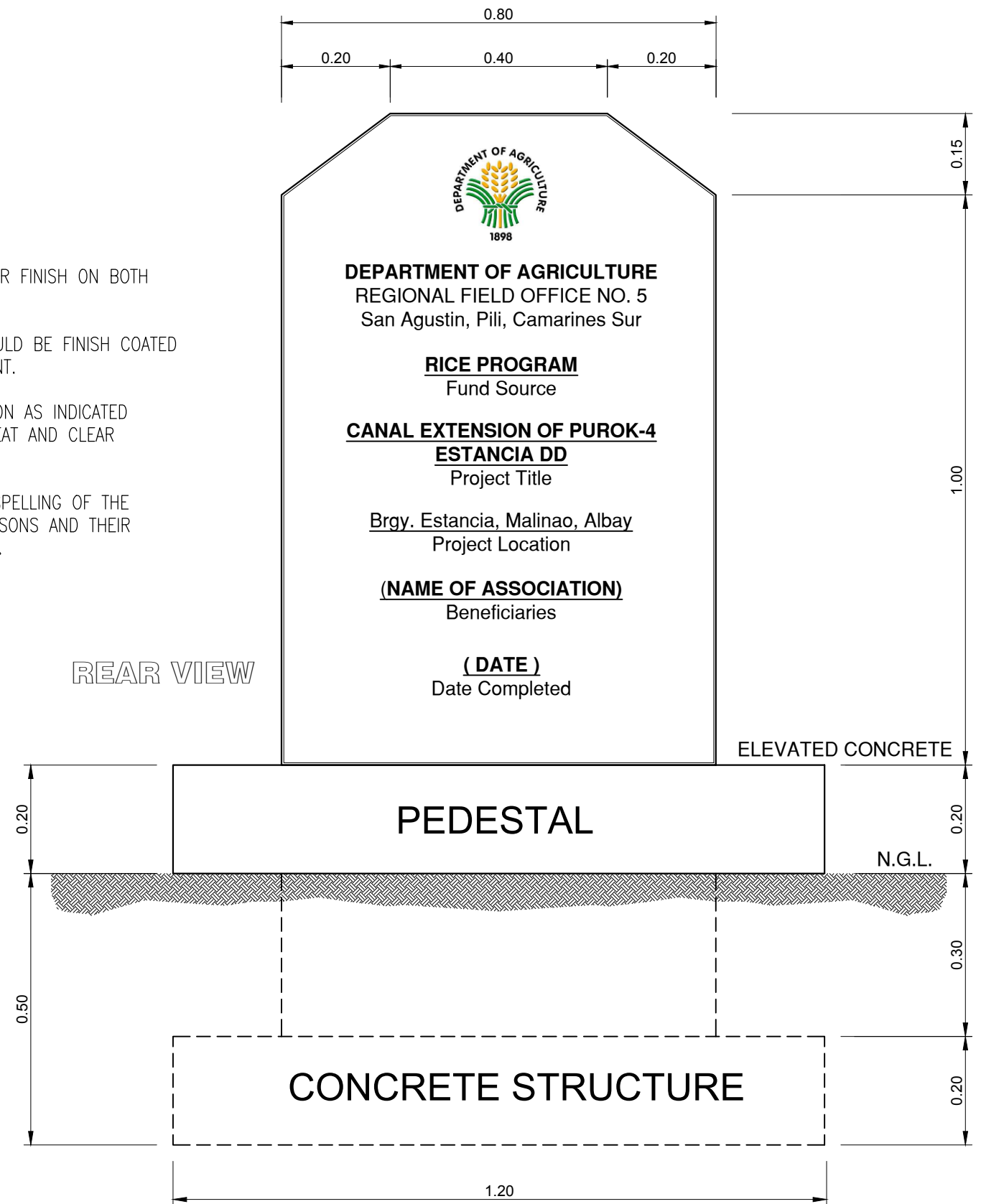
NEW CONCRETE MARKER OF RICE PROGRAM PROJECT

SCALE: 1:10m.



NOTE:

- PROVIDE CEMENT PLASTER FINISH ON BOTH FACES.
- CONCRETE MARKER SHOULD BE FINISH COATED WITH WHITE ENAMEL PAINT.
- ALL PROJECT INFORMATION AS INDICATED SHOULD BE WRITE IN NEAT AND CLEAR MANNER.
- BE SPECIFIC WITH THE SPELLING OF THE INDICATED NAME OF PERSONS AND THEIR RESPECTIVE DESIGNATION.



 REPUBLIC OF THE PHILIPPINES DEPARTMENT OF AGRICULTURE REGIONAL FIELD UNIT NO. 5 SAN AGUSTIN, PILI, CAMARINES SUR	Name of Project:		Prepared by:	Checked by:	Reviewed by:	Submitted by:	Recommending Approval:	Approved by:	CAD by:
	CONSTRUCTION OF CANAL EXTENSION OF PUROK-4 ESTANCIA DD		ENGR. ARJAY P. TAPIA	LEONIDES L. BULALACAO Jr.	ENGR. JERRY A. EBOÑA	ENGR. NILDA T. ALBAÑO	LUZ R. MARCELINO	RODEL P. TORNILLA, MABE	Rjhay001
	Location:		ENGR. ARJAY P. TAPIA	LEONIDES L. BULALACAO Jr.	ENGR. JERRY A. EBOÑA	ENGR. NILDA T. ALBAÑO	LUZ R. MARCELINO	RODEL P. TORNILLA, MABE	DATE:
	Brgy. Estancia, Malinao, Albay		ENGR. ARJAY P. TAPIA	LEONIDES L. BULALACAO Jr.	ENGR. JERRY A. EBOÑA	ENGR. NILDA T. ALBAÑO	LUZ R. MARCELINO	RODEL P. TORNILLA, MABE	2020
Fund Source:		ENGR. ARJAY P. TAPIA	LEONIDES L. BULALACAO Jr.	ENGR. JERRY A. EBOÑA	ENGR. NILDA T. ALBAÑO	LUZ R. MARCELINO	RODEL P. TORNILLA, MABE	Sheet No.:	
RICE PROGRAM		ENGR. ARJAY P. TAPIA	LEONIDES L. BULALACAO Jr.	ENGR. JERRY A. EBOÑA	ENGR. NILDA T. ALBAÑO	LUZ R. MARCELINO	RODEL P. TORNILLA, MABE	5 / 6	
Sheet Content:									
AS SHOWN									

2.40



DEPARTMENT OF AGRICULTURE
Regional Field Office No. 5
San Agustin, Pili, Camarines Sur

Project: _____

Cost: _____

Location: _____

Fund Source/s: _____

Contractor: _____

Brief Description of Project: _____

Project Details: _____

Project Date:			Project Status				Remarks
Duration	Started	Target Date of Completion	Percentage of Completion	As of (Date)	Cost Incurred to Date	Date Completed	

For particulars or complaints about this project, please contact the Regional Office or Cluster which has audit jurisdiction on this project:

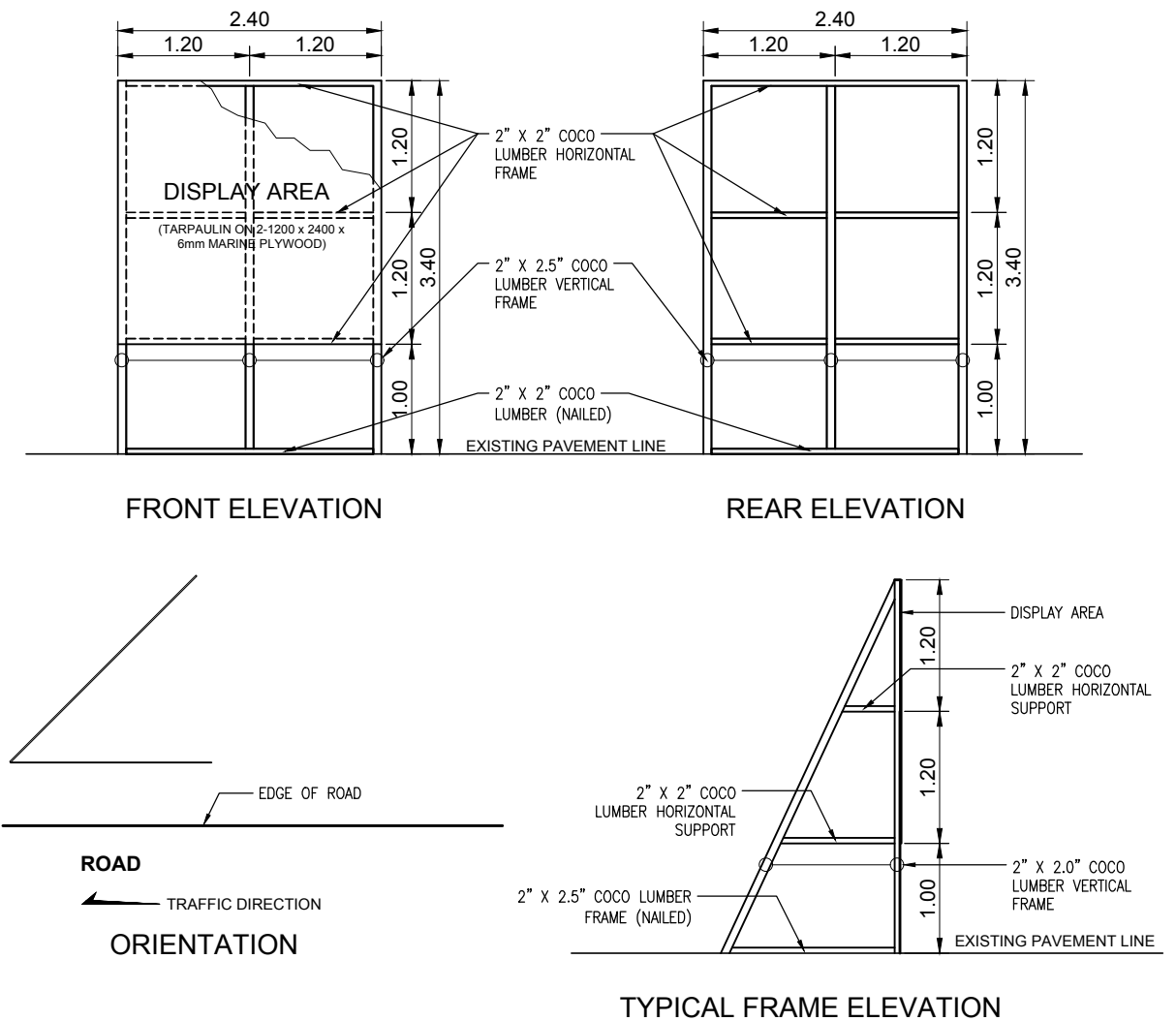
COA Regional Office No./Cluster: _____
Address: _____
Contact No.: _____

"A food-secure Philippines with Prosperous farmers and fisherfolks"



TARPAULIN SHOULD ADHERE TO COMMISSION ON AUDIT CIRCULAR 2013-004 PREPARATION AND INSTALLATION GUIDELINES:

1. THE NEW BILLBOARD DESIGN LAYOUT AND DIMENSION (SEE ATTACHED DRAWING) SHALL BE INSTALLED ON A STANDARD BILLBOARD MEASURING 2.4m X 2.4m (8ft.x8ft.) USING 12mm (1/2 inch) THICK MARINE PLYWOOD OR TARPAULIN POSTED ON 5mm (3/16inch) MARINE PLYWOOD.
2. FOR EACH PROJECT , THE BILLBOARD SHALL BE INSTALLED IN FRONT OF THE PROJECT SITE.
3. NAME(S) AND/OR PICTURE(S) OF ANY PERSONAGES SHOULD NOT APPEAR IN THE BILLBOARD.
4. NO POLITICAL BILLBOARD SHALL BE ALLOWED TO BE INSTALLED 100 METERS BEFORE AND 100 METERS AFTER ALL DA-RFO5 PROJECTS AND IN BETWEEN THE PROJECT LIMITS OR WITHIN THE ROAD RIGHT-OF-WAY.
5. DEPARTMENT OF AGRICULTURE CONTRACTORS SHALL NOT BE ALLOWED TO PLACE NAMES OF POLITICIANS ON THEIR EQUIPMENT OR CARRY POLITICAL BILLBOARD ON THEIR EQUIPMENT.



PROJECT BILLBOARD DETAIL
NOT TO SCALE

<p>REPUBLIC OF THE PHILIPPINES DEPARTMENT OF AGRICULTURE REGIONAL FIELD UNIT NO. 5 SAN AGUSTIN, PILI, CAMARINES SUR</p>	Name of Project:	Prepared by:	Checked by:	Reviewed by:	Submitted by:	Recommending Approval:	Approved by:	CAD by:	
	CONSTRUCTION OF CANAL EXTENSION OF PUROK-4 ESTACIA DD	ENGR. ARJAY P. TAPIA Technical Staff	LEONIDES L. BULALACAO Jr. Surveyor, Farm Supervisor	ENGR. JERRY A. EBOÑA EPDSS Head, Engineer III	ENGR. NILDA T. ALBAÑO Chief RAED	LUZ R. MARCELINO RTD. for Operation and Extension	RODEL P. TORNILLA, MABE Regional Executive Director	Rjhay001	
	Location:	Brgy. Estancia, Malinao, Albay							DATE:
	Fund Source:	Sheet Content:	RICE PROGRAM AS SHOWN						
Sheet No.: 6/6									