



REPUBLIC OF THE PHILIPPINES

DEPARTMENT OF AGRICULTURE

REGIONAL FIELD UNIT NO.5

SAN AGUSTIN, PILI, CAMARINES SUR.

PROJECT TITLE

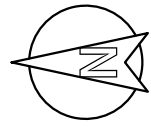
P R O P O S E D :
**CANAL EXTENSION OF
GOGON LUPI DD**

LOCATION: BRGY. LUPI, TINAMBAC, CAMARINES SUR

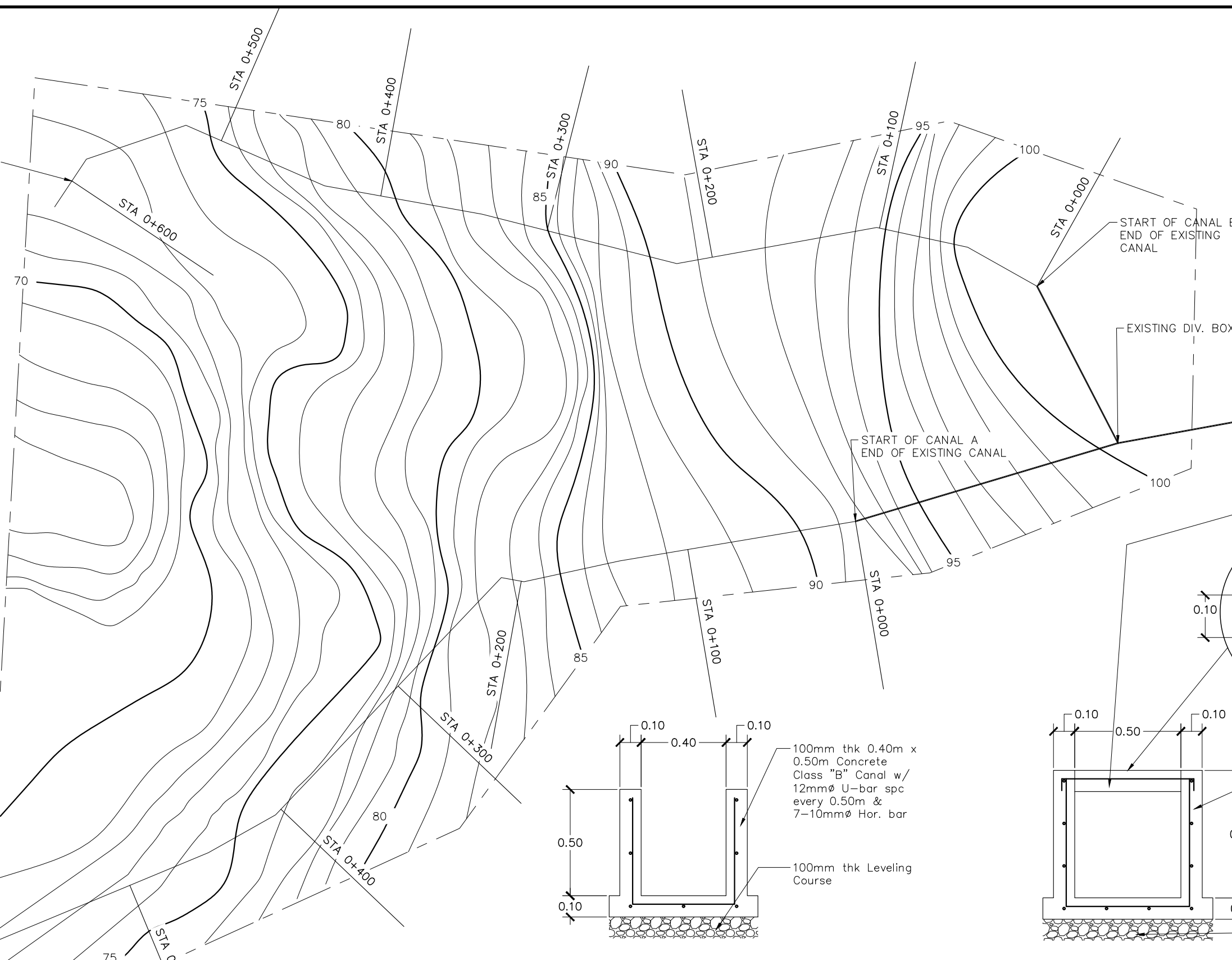
PREPARED BY:

RAED OFFICE





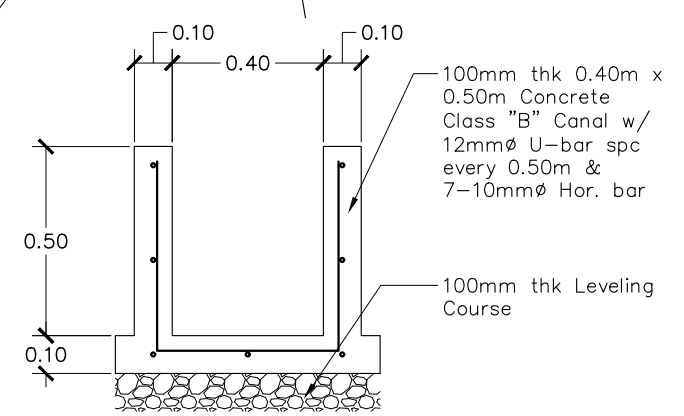
END OF CANAL B



END OF CANAL A
STA 0+607

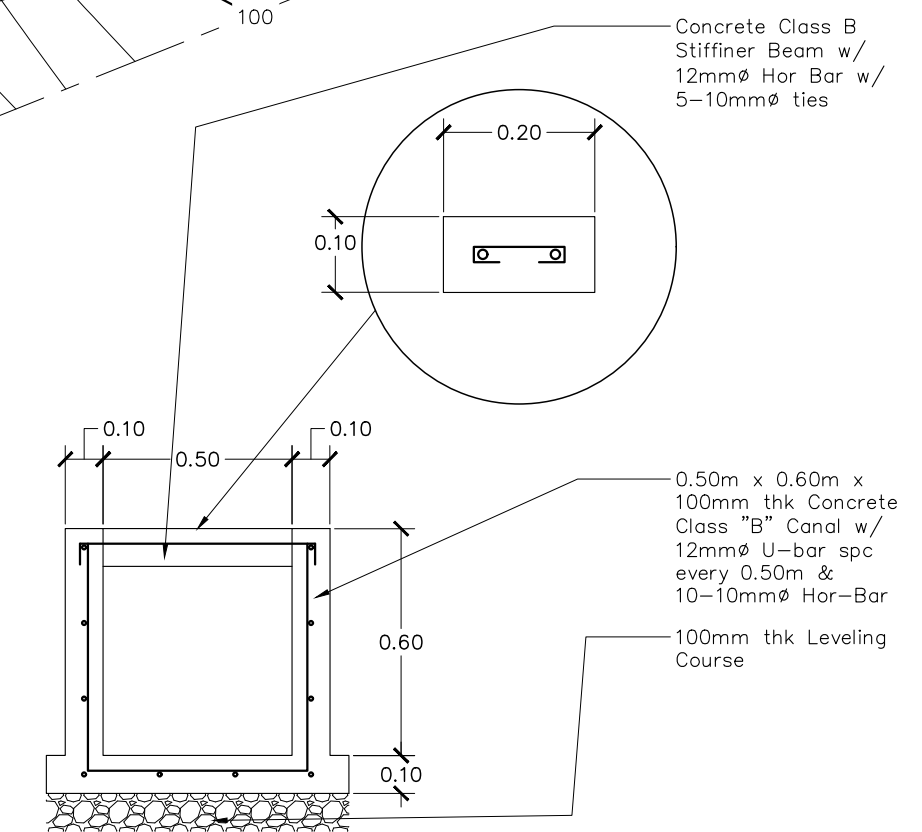
SITE DEVELOPMENT PLAN

SCALE 1:2500



DET. OF CANAL B (L=600m)

SCALE 1:20

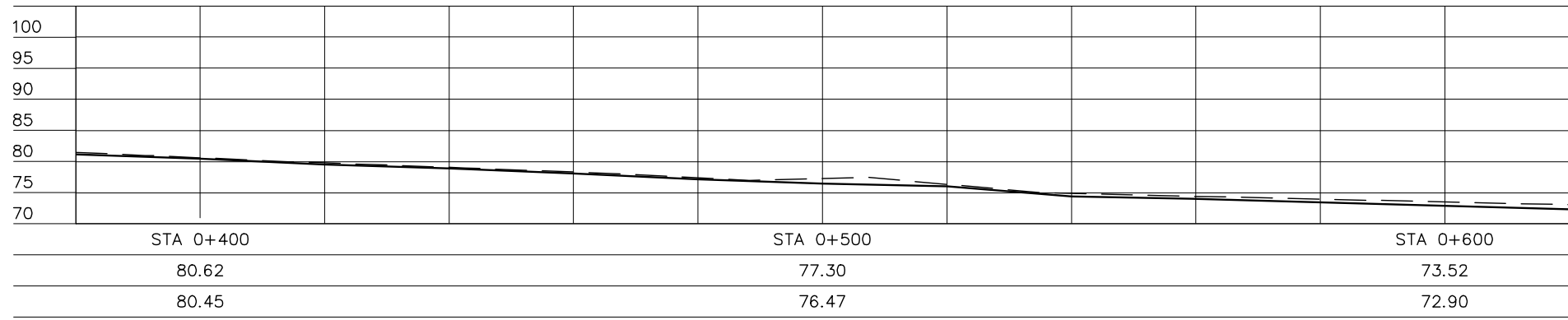
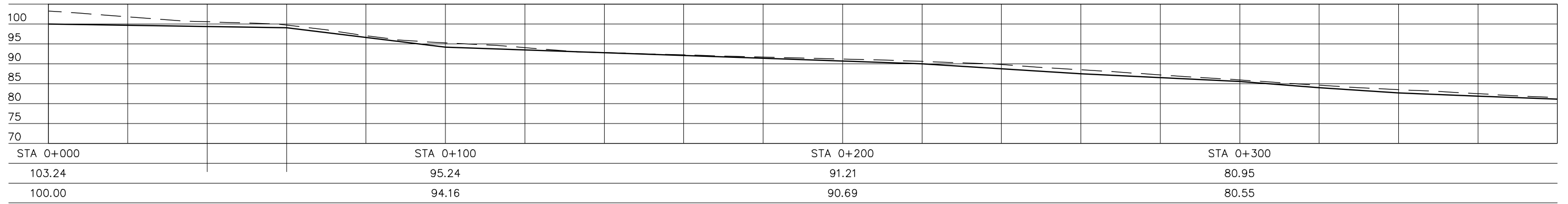


DET. OF CANAL A (L=607m)

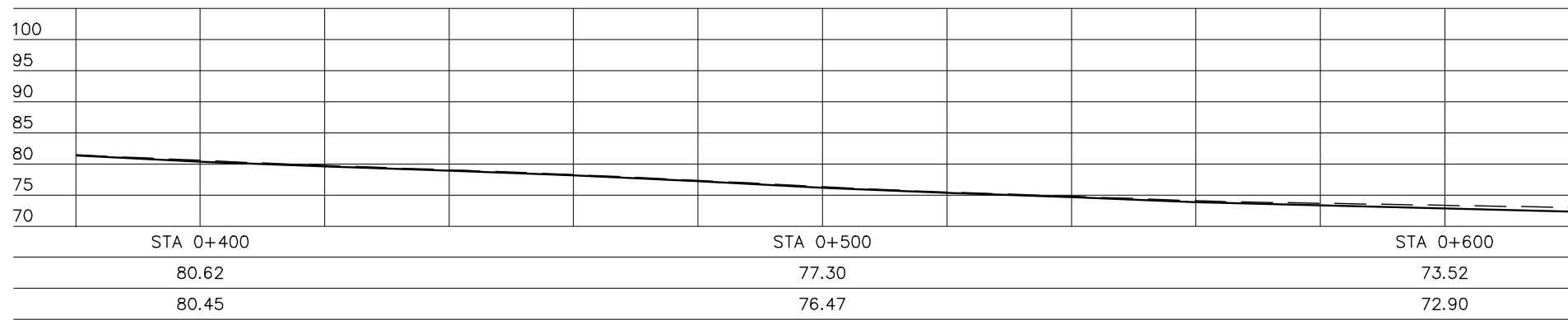
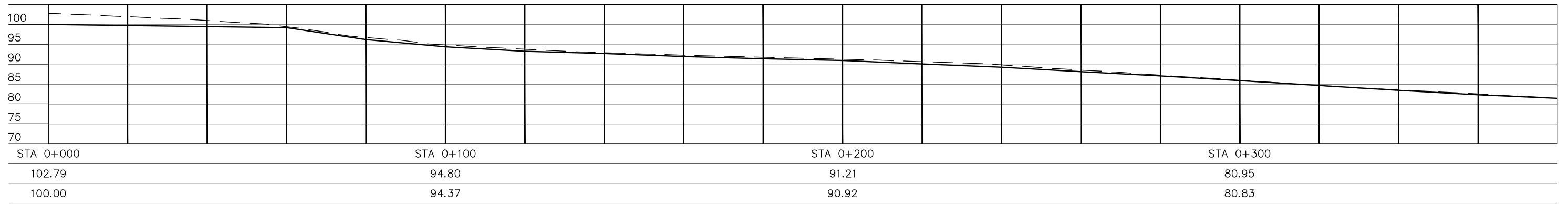
SCALE 1:20

Department of Agriculture
REGIONAL FIELD OFFICE No. 5
SAN AGUSTIN PILI, CAMARINES SUR
REGIONAL AGRICULTURAL ENGINEERING DIVISION

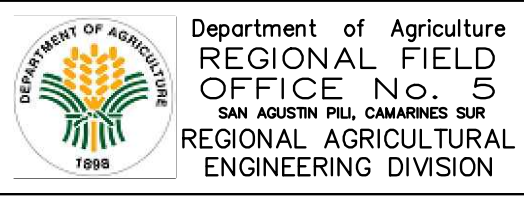
Title: CANAL EXTENSION OF GOGON LUPI DD BRGY. LUPI, TINAMBAC, CAMARINES SUR	Checked by: JAD R. ATOLE Technical Staff	Checked by: JERRY A. EBOÑA Head, EPDSS	Noted by: NILDA T. ALBAÑO Chief, RAED	Recommending Approval: LUZ R. MARCELINO RTD for Operation and Extension	Approved: RODEL P. TORNILLA, MaBE Regional Executive Director	Page No. 1 / 3
Sheet Content: as shown						



PROFILE OF CANAL A
SCALE 1:1000




PROFILE OF CANAL B
SCALE 1:1000



Title: CANAL EXTENSION OF GOGON LUPI DD BRGY. LUPI, TINAMBAC, CAMARINES SUR Sheet Content: as shown	Checked by:	Checked by:	Noted by:	Recommending Approval:	Approved:	Page No.
	JAD R. ATOLE Technical Staff	JERRY A. EBOÑA Head, EPDSS	NILDA T. ALBAÑO Chief, RAED	LUZ R. MARCELINO RTD for Operation and Extension	RODEL P. TORNILLA, MaBE Regional Executive Director	2 / 3

STANDARD PROJECT BILLBOARD



DEPARTMENT OF AGRICULTURE
Regional Field Office No. 5
San Agustin, Pili, Camarines Sur


Project: _____
 Cost: _____
 Location: _____
 Fund Source/s: _____
 Contractor: _____
 Brief Description of Project: _____

Project Details: _____

Project Date:			Project Status				Remarks
Duration	Started	Target Date of Completion	Percentage of Completion	As of (Date)	Cost Incurred to Date	Date Completed	

For particulars or complaints about this project, please contact the Regional Office or Cluster which has audit jurisdiction on this project:

COA Regional Office No./Cluster: _____
 Address: _____
 Contact No.: _____



"A food-secure Philippines with Prosperous farmers and fisherfolks"

TARPAULINE SHOULD ADHERE TO COMMISSION ON AUDIT CIRCULAR 2013-004 PREPARATION AND INSTALLATION GUIDELINES:

1. THE NEW BILLBOARD DESIGN LAYOUT AND DIMENSION (SEE ATTACHED DRAWING) SHALL BE INSTALLED ON A STANDARD BILLBOARD MEASURING 2400mm X 2400mm (8ft.x8ft.) USING 12mm (1/2 inch) THICK MARINE PLYWOOD OR TARPULIN POSTED ON 5mm (3/16inch) MARINE PLYWOOD.
2. FOR EACH PROJECT, THE BILLBOARD SHALL BE INSTALLED IN FRONT OF THE PROJECT SITE.
3. NAME(S) AND/OR PICTURE(S) OF ANY PERSONAGES SHOULD NOT APPEAR IN THE BILLBOARD.
4. NO POLITICAL BILLBOARD SHALL BE ALLOWED TO BE INSTALLED 100 METERS BEFORE AND 100 METERS AFTER ALL DPWH PROJECTS AND IN BETWEEN THE PROJECT LIMITS OR WITHIN THE ROAD RIGHT-OF-WAY.
5. DEPARTMENT OF AGRICULTURE CONTRACTORS SHALL NOT BE ALLOWED TO PLACE NAMES OF POLITICIANS ON THEIR EQUIPMENT OR CARRY POLITICAL BILLBOARD ON THEIR EQUIPMENT.

