



REPUBLIC OF THE PHILIPPINES
DEPARTMENT OF AGRICULTURE
REGIONAL FIELD UNIT NO.5
SAN AGUSTIN, PILI, CAMARINES SUR.

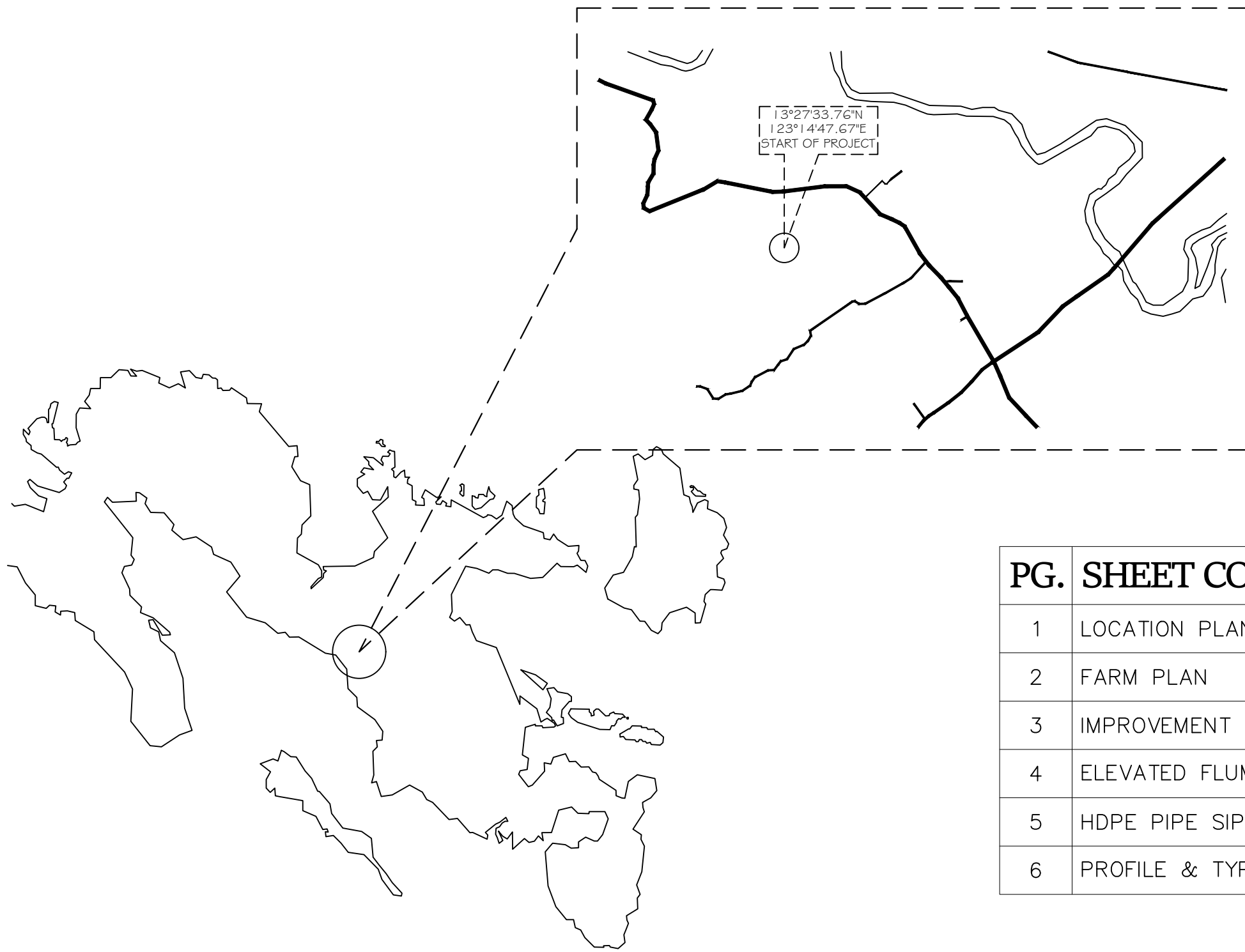
PROJECT TITLE

P R O P O S E D :
IMPROVEMENT OF
PANOYPOYAN SWIP

LOCATION: BRGY. PANOYPOYAN, BULA, CAMARINES SUR

PREPARED BY:
RAED OFFICE





PG.	SHEET CONTENT
1	LOCATION PLAN
2	FARM PLAN
3	IMPROVEMENT OF DAM
4	ELEVATED FLUME PLAN & DETAIL (L=30)
5	HDPE PIPE SIPHON PLAN & DETAIL
6	PROFILE & TYPICAL DETAIL OF CANAL (L=900)

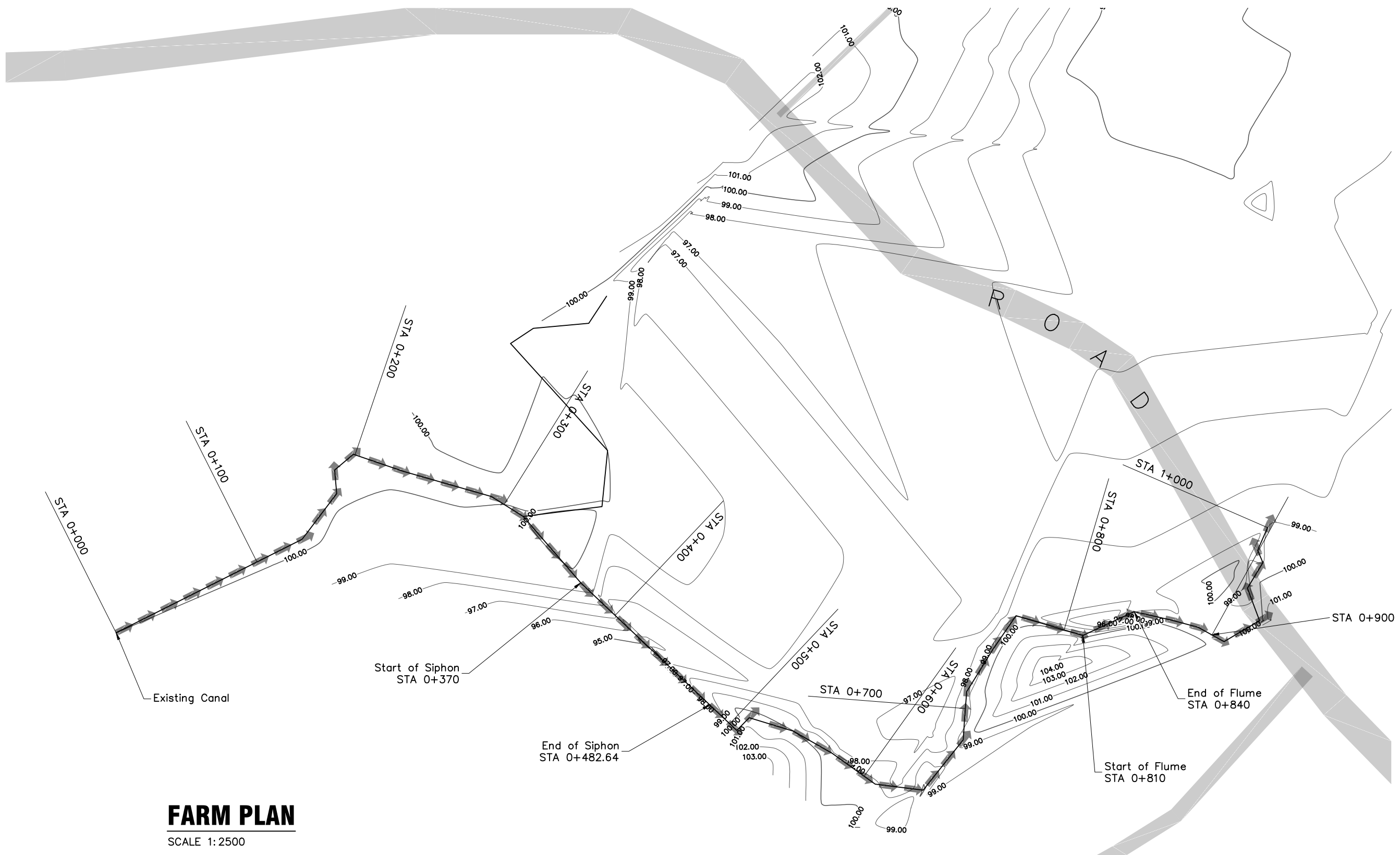
LOCATION PLAN

SCALE NTS




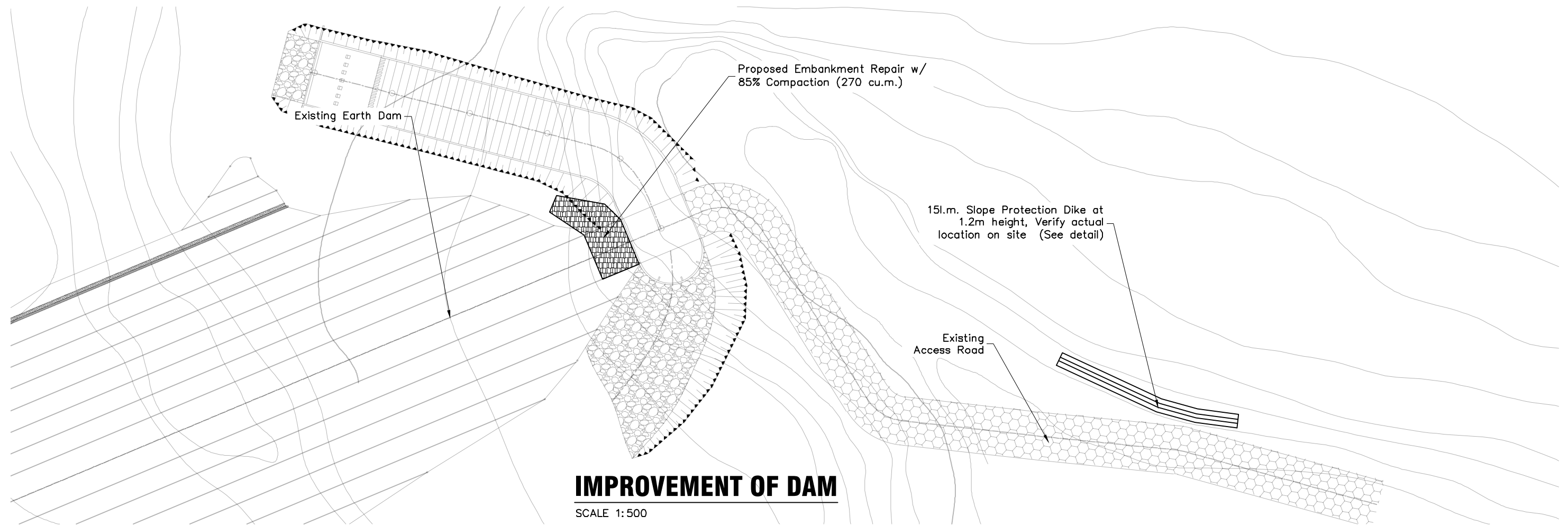
Department of Agriculture
REGIONAL FIELD OFFICE No. 5
 SAN AGUSTIN PILI, CAMARINES SUR
REGIONAL AGRICULTURAL ENGINEERING DIVISION

Title: IMPROVEMENT OF PANOYPOYAN SWIP PANOYPOYAN, BULA, CAMARINES SUR	Checked by: JAD R. ATOLE Technical Staff	Checked by: JERRY A. EBOÑA Head, EPDSS	Noted by: NILDA T. ALBAÑO Chief, RAED	Recommending Approval: LUZ R. MARCELINO RTD for Operation and Extension	Approved: RODEL P. TORNILLA, MaBE Regional Executive Director	Page No. 1 / 7
Sheet Content: as shown						



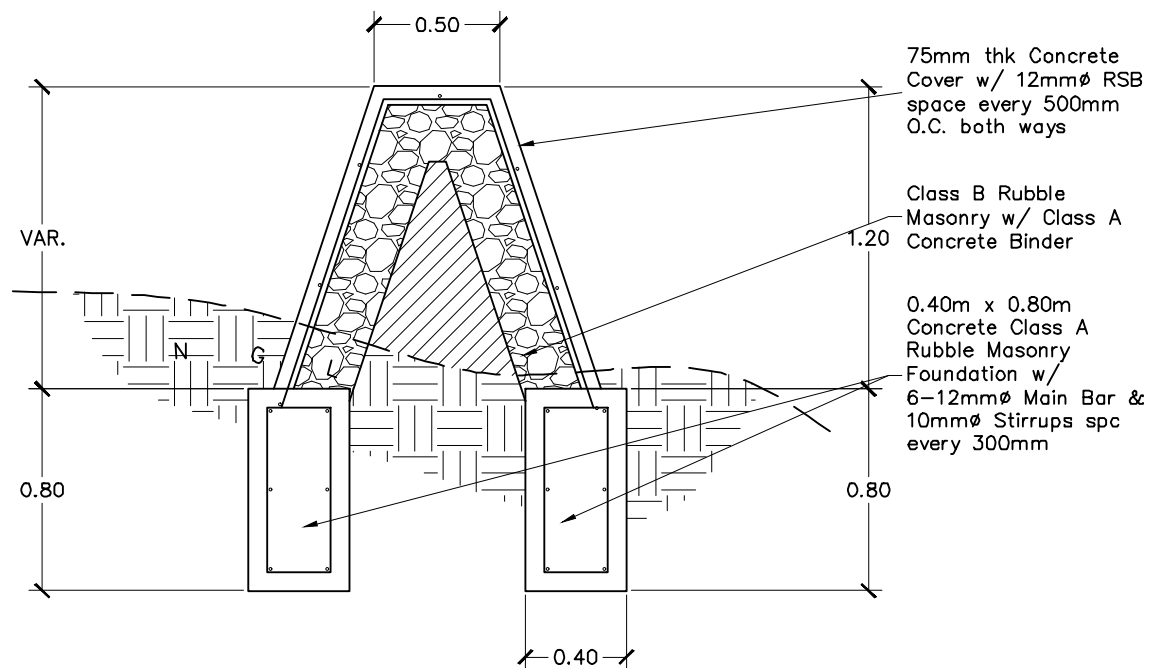
FARM PLAN
SCALE 1: 2500

 <p>Department of Agriculture REGIONAL FIELD OFFICE No. 5 SAN AGUSTIN PILI, CAMARINES SUR REGIONAL AGRICULTURAL ENGINEERING DIVISION</p>	<p>Title:</p> <p>IMPROVEMENT OF PANOYPOYAN SWIP PANOYPOYAN, BULA, CAMARINES SUR</p>	<p>Checked by:</p> <p>JAD R. ATOLE Technical Staff</p>	<p>Checked by:</p> <p>JERRY A. EBOÑA Head, EPDSS</p>	<p>Noted by:</p> <p>NILDA T. ALBAÑO Chief, RAED</p>	<p>Recommending Approval:</p> <p>LUZ R. MARCELINO RTD for Operation and Extension</p>	<p>Approved:</p> <p>RODEL P. TORNILLA, MaBE Regional Executive Director</p>	<p>Page No.</p> <p>2 / 7</p>
	<p>Sheet Content:</p> <p>as shown</p>						



IMPROVEMENT OF DAM

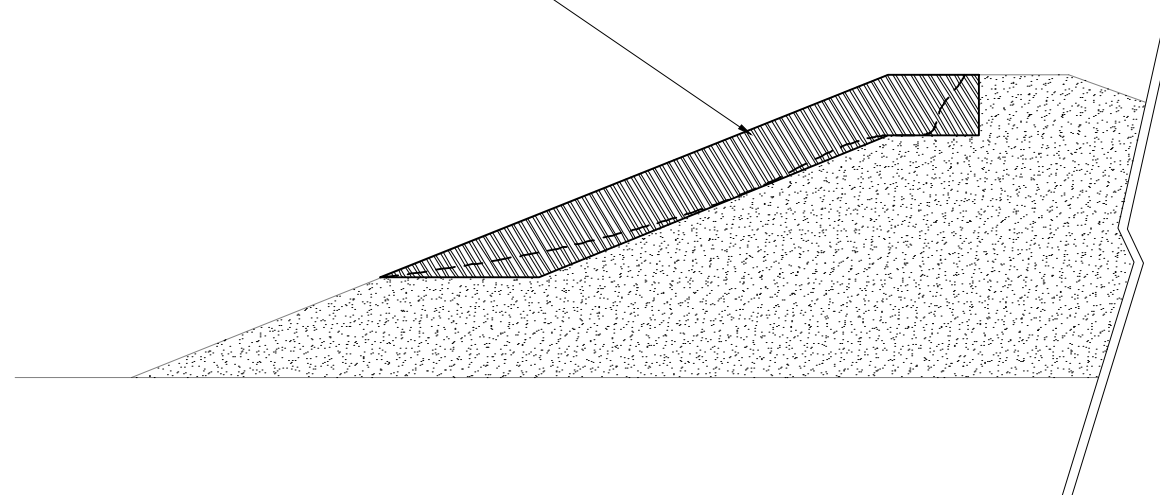
SCALE 1:500



TYP. DET. OF SLOPE PROTECTION DIKE


SCALE 1:30

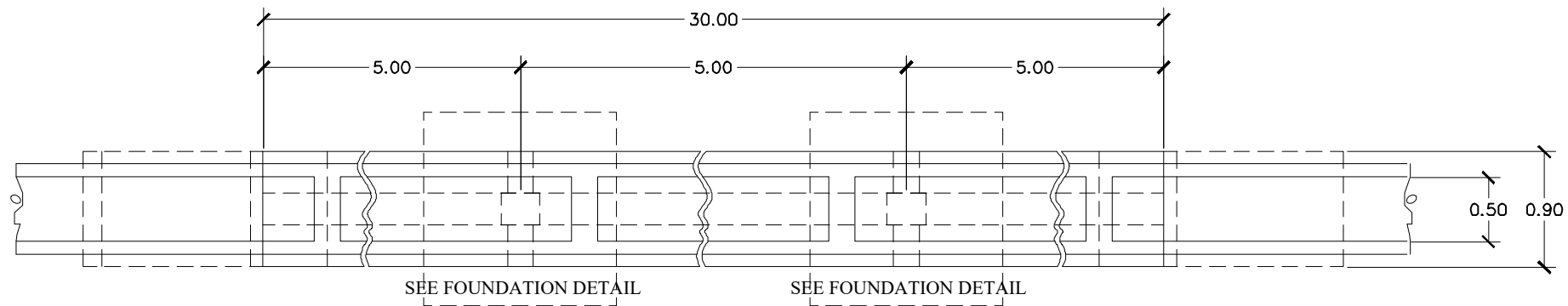
Embankment fill Repair



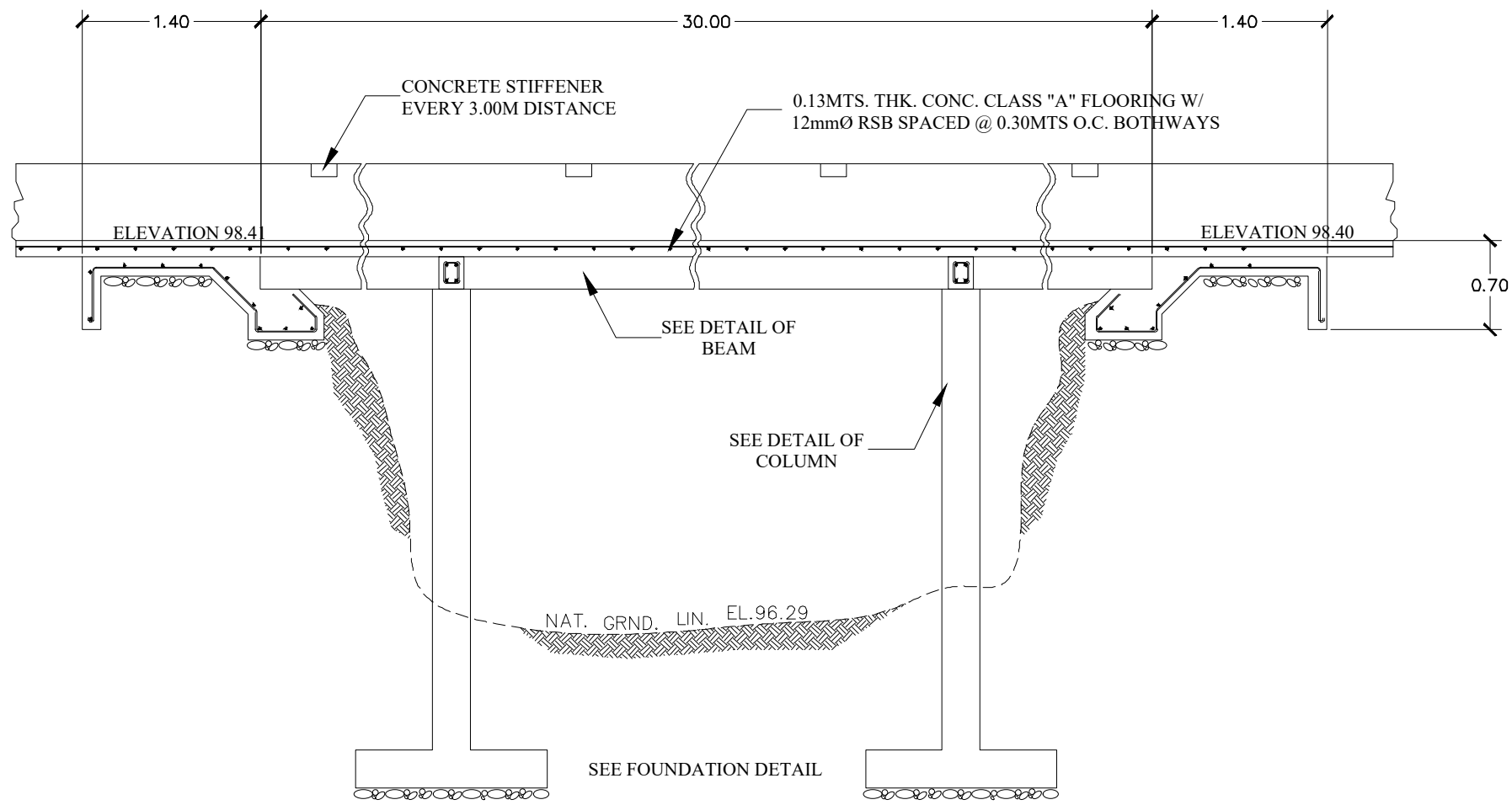
IMPROVEMENT OF DAM DET.

SCALE 1:25

 <p>Department of Agriculture REGIONAL FIELD OFFICE No. 5 SAN AGUSTIN PILI, CAMARINES SUR REGIONAL AGRICULTURAL ENGINEERING DIVISION</p>	Title:	Checked by:	Checked by:	Noted by:	Recommending Approval:	Approved:	Page No.
	<p>IMPROVEMENT OF PANOYPOYAN SWIP PANOYPOYAN, BULA, CAMARINES SUR</p> <p>Sheet Content: as shown</p>	<p>JAD R. ATOLE Technical Staff</p>	<p>JERRY A. EBOÑA Head, EPDSS</p>	<p>NILDA T. ALBAÑO Chief, RAED</p>	<p>LUZ R. MARCELINO RTD for Operation and Extension</p>	<p>RODEL P. TORNILLA, MaBE Regional Executive Director</p>	<p>3 / 7</p>

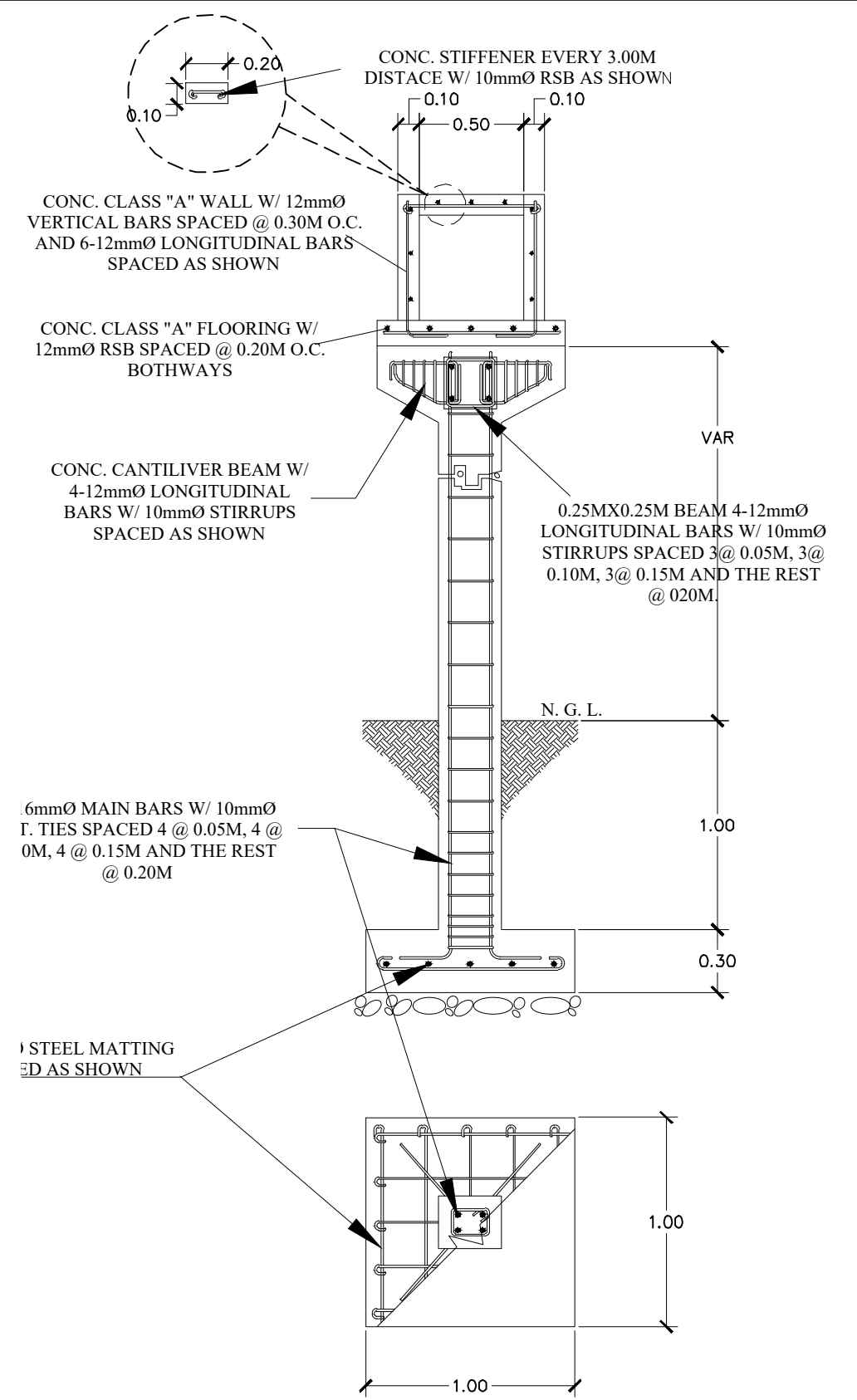


PLAN

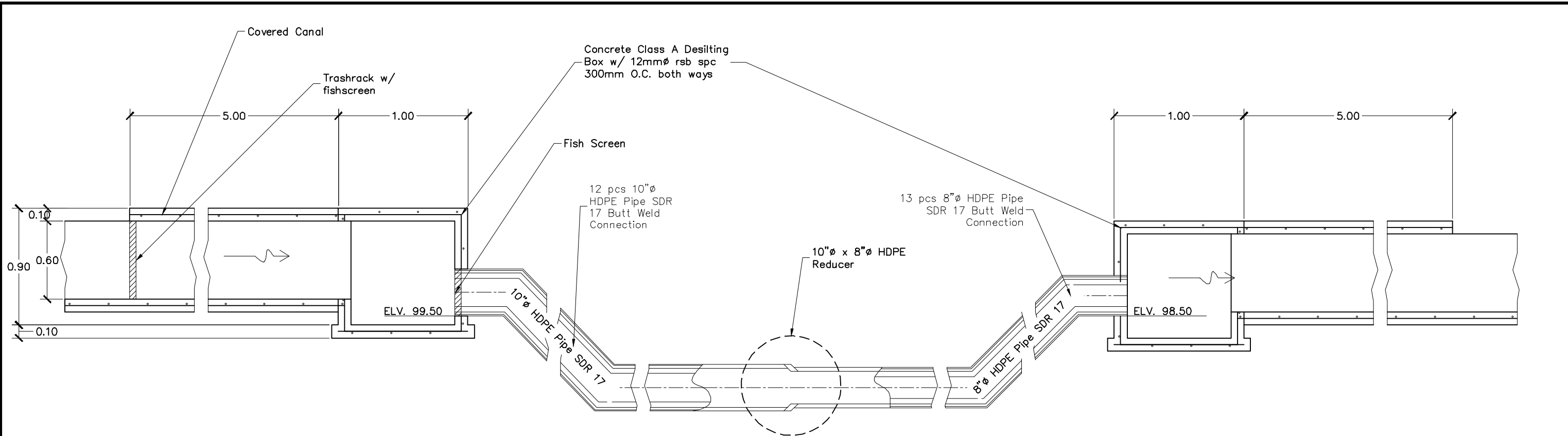


PROFILE ALONG CENTERLINE OF FLUME "A"

DET./SEC. OF FLUME "A"
SCALE 1: 50 MTS.

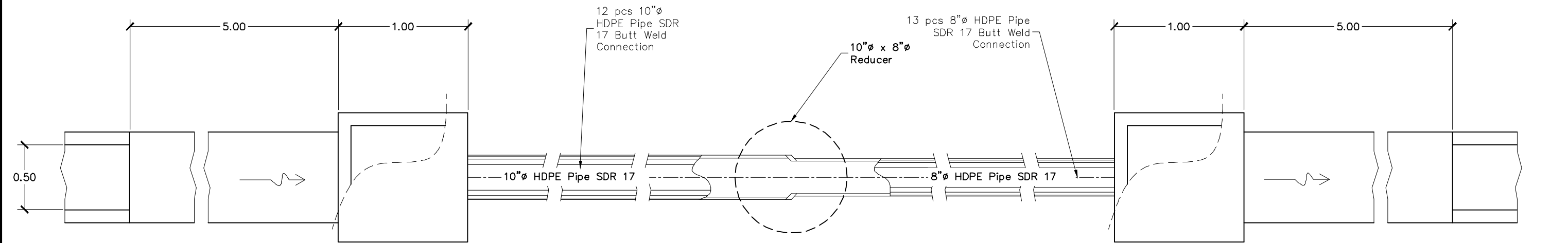


Title:	Checked by:	Checked by:	Noted by:	Recommending Approval:	Approved:	Page No.
IMPROVEMENT OF PANOYPOYAN SWIP PANOYPOYAN, BULA, CAMARINES SUR	JAD R. ATOLE Technical Staff	JERRY A. EBOÑA Head, EPDSS	NILDA T. ALBAÑO Chief, RAED	LUZ R. MARCELINO RTD for Operation and Extension	RODEL P. TORNILLA, MaBE Regional Executive Director	4 / 7
Sheet Content:	as shown					




DET. OF HDPE PIPE SIPHON

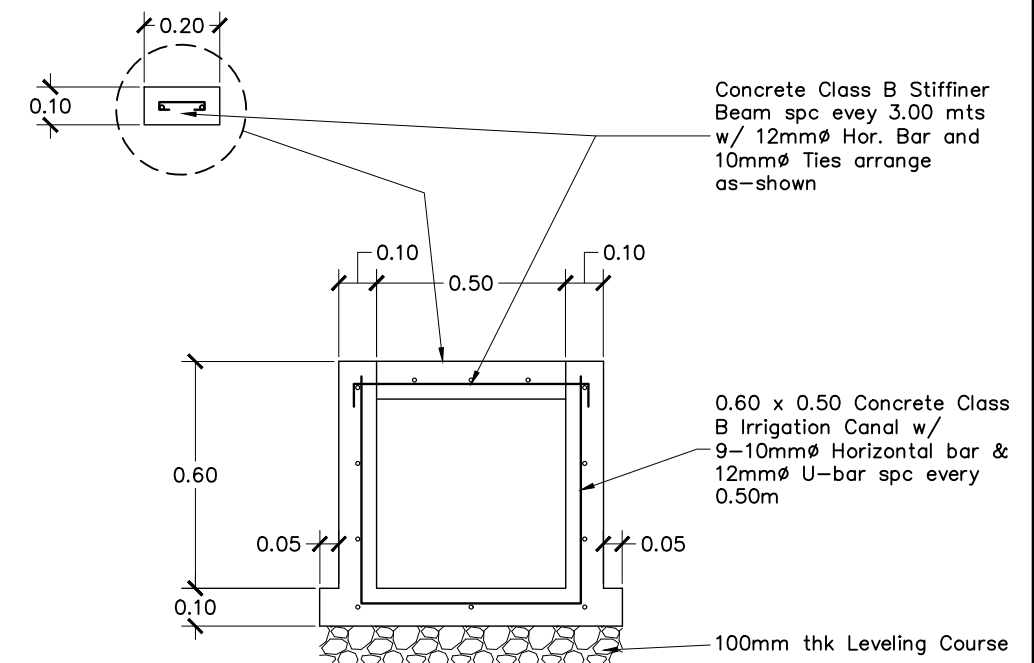
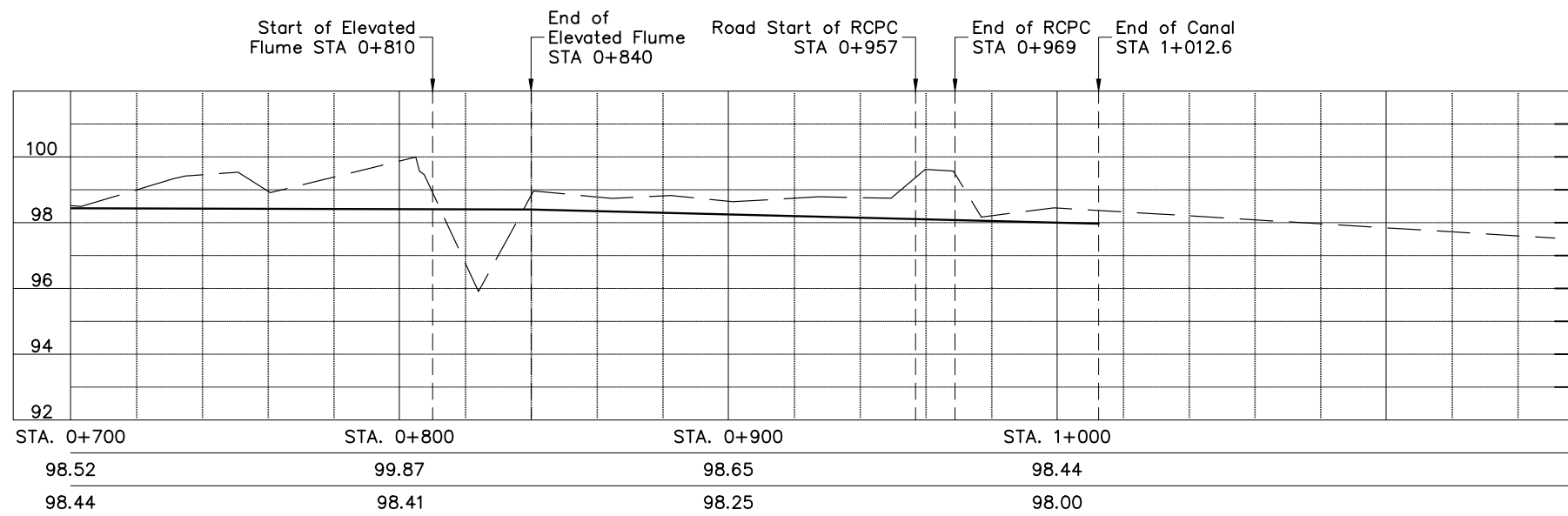
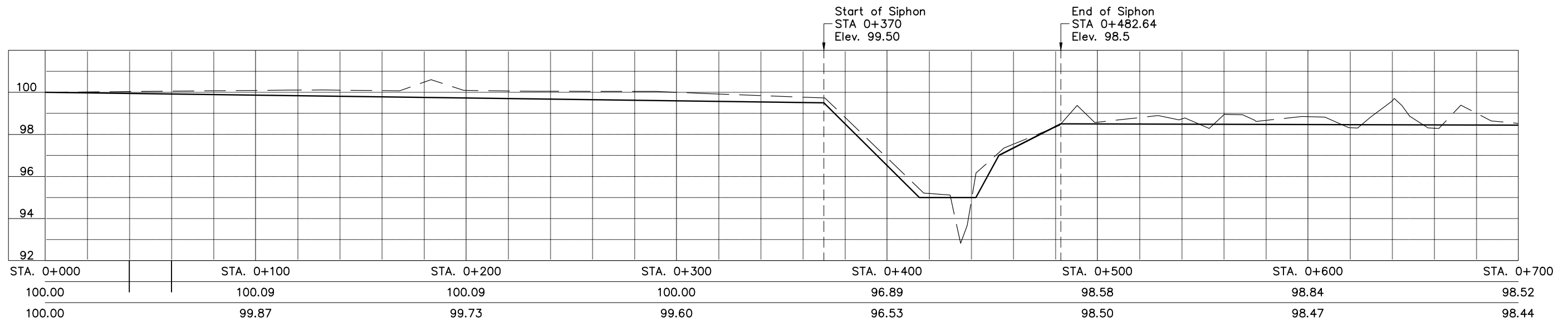
SCALE 1:30



HDPE PIPE SIPHON PLAN

SCALE 1:30

 <p>Department of Agriculture REGIONAL FIELD OFFICE No. 5 SAN AGUSTIN PILI, CAMARINES SUR REGIONAL AGRICULTURAL ENGINEERING DIVISION</p>	Title:	Checked by:	Checked by:	Noted by:	Recommending Approval:	Approved:	Page No.
	<p>IMPROVEMENT OF PANOYPOYAN SWIP PANOYPOYAN, BULA, CAMARINES SUR</p> <p>Sheet Content: as shown</p>	<p>JAD R. ATOLE Technical Staff</p>	<p>JERRY A. EBOÑA Head, EPDSS</p>	<p>NILDA T. ALBAÑO Chief, RAED</p>	<p>LUZ R. MARCELINO RTD for Operation and Extension</p>	<p>RODEL P. TORNILLA, MaBE Regional Executive Director</p>	<p>5 / 7</p>



PROFILE OF CANAL

SCALE V 1:200 H 1:2000

TYP. DET OF CANAL


SCALE 1:20



Department of Agriculture
REGIONAL FIELD
OFFICE No. 5
SAN AGUSTIN PILI, CAMARINES SUR
REGIONAL AGRICULTURAL
ENGINEERING DIVISION

Title:	Checked by:	Checked by:	Noted by:	Recommending Approval:	Approved:	Page No.
IMPROVEMENT OF PANOYPOYAN SWIP PANOYPOYAN, BULA, CAMARINES SUR	JAD R. ATOLE Technical Staff	JERRY A. EBOÑA Head, EPDSS	NILDA T. ALBAÑO Chief, RAED	LUZ R. MARCELINO RTD for Operation and Extension	RODEL P. TORNILLA, MaBE Regional Executive Director	6 / 7
Sheet Content:	as shown					

STANDARD PROJECT BILLBOARD



DEPARTMENT OF AGRICULTURE
 Regional Field Office No. 5
 San Agustin, Pili, Camarines Sur

Project: _____
 Cost: _____
 Location: _____
 Fund Source/s: _____
 Contractor: _____
 Brief Description of Project: _____
 Project Details: _____

Project Date:		Project Status						Remarks
Duration	Started	Target Date of Completion	Percentage of Completion	As of (Date)	Cost Incurred to Date	Date Completed		

For particulars or complaints about this project, please contact the Regional Office or Cluster which has audit jurisdiction on this project:

COA Regional Office No. /Cluster: _____
 Address: _____
 Contact No.: _____



"A food-secure Philippines with Prosperous farmers and fisherfolks"

TARPAULINE SHOULD ADHERE TO COMMISSION ON AUDIT CIRCULAR 2013-004 PREPARATION AND INSTALLATION GUIDELINES:

1. THE NEW BILLBOARD DESIGN LAYOUT AND DIMENSION (SEE ATTACHED DRAWING) SHALL BE INSTALLED ON A STANDARD BILLBOARD MEASURING 2400mm X 2400mm (8ft.X8ft.) USING 12mm (1/2 inch) THICK MARINE PLYWOOD OR TARPAULIN POSTED ON 5mm (3/16inch) MARINE PLYWOOD.
2. FOR EACH PROJECT, THE BILLBOARD SHALL BE INSTALLED IN FRONT OF THE PROJECT SITE.
3. NAME(S) AND/OR PICTURE(S) OF ANY PERSONAGES SHOULD NOT APPEAR IN THE BILLBOARD.
4. NO POLITICAL BILLBOARD SHALL BE ALLOWED TO BE INSTALLED 100 METERS BEFORE AND 100 METERS AFTER ALL DPWH PROJECTS AND IN BETWEEN THE PROJECT LIMITS OR WITHIN THE ROAD RIGHT-OF-WAY.
5. DEPARTMENT OF AGRICULTURE CONTRACTORS SHALL NOT BE ALLOWED TO PLACE NAMES OF POLITICIANS ON THEIR EQUIPMENT OR CARRY POLITICAL BILLBOARD ON THEIR EQUIPMENT.

