

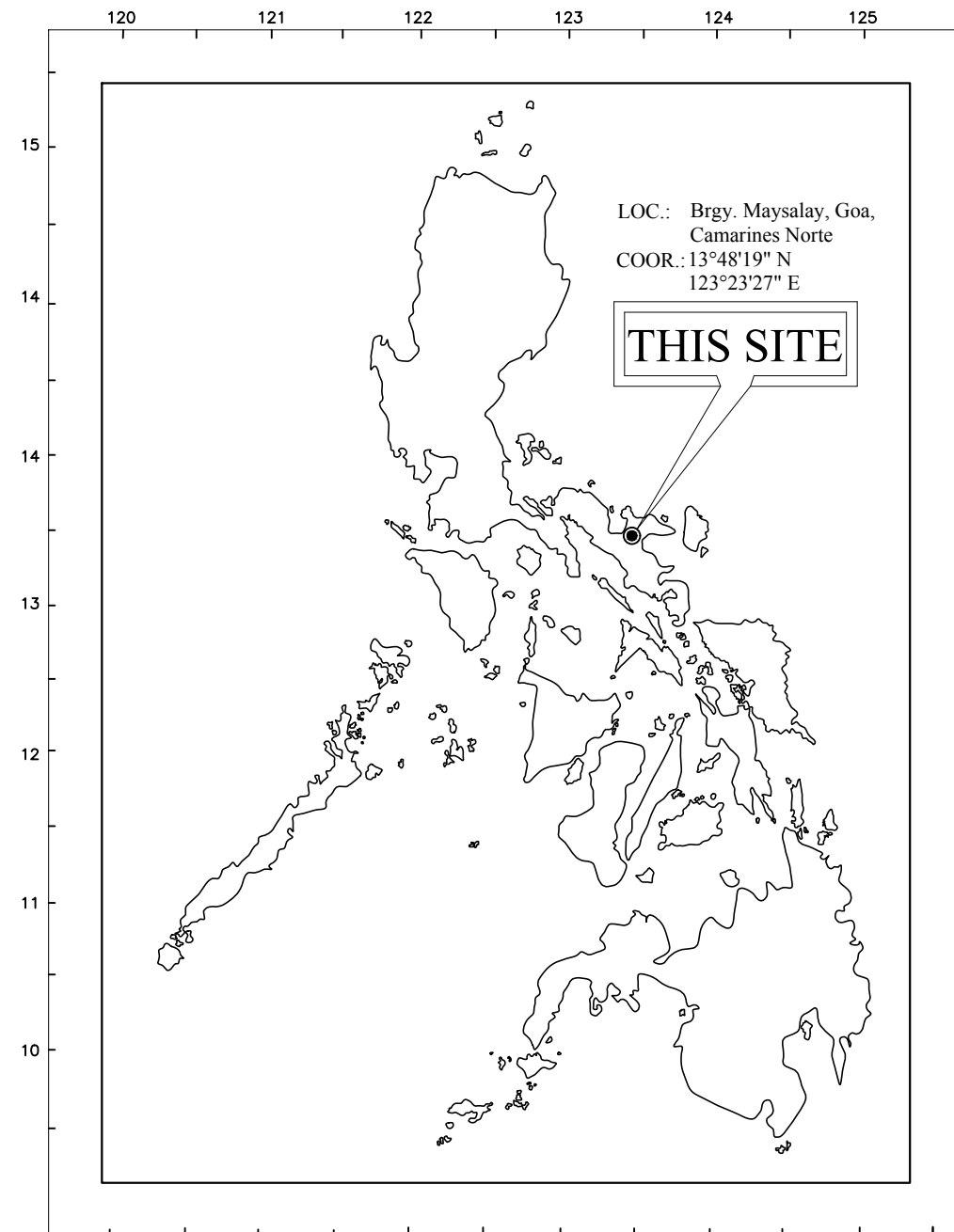
REPUBLIC OF THE PHILIPPINES
DEPARTMENT OF AGRICULTURE
REGIONAL FIELD UNIT NO.5
SAN AGUSTIN, PILI, CAMARINES SUR.

PROJECT TITLE:

**CONSTRUCTION OF CANAL EXTENSION
OF MAYSALAY DIVERSION DAM**
LOCATION: BRGY. MAYSALAY, GOA, CAMARINES SUR

PREPARED BY:
RAED OFFICE





L O C A T I O N M A P

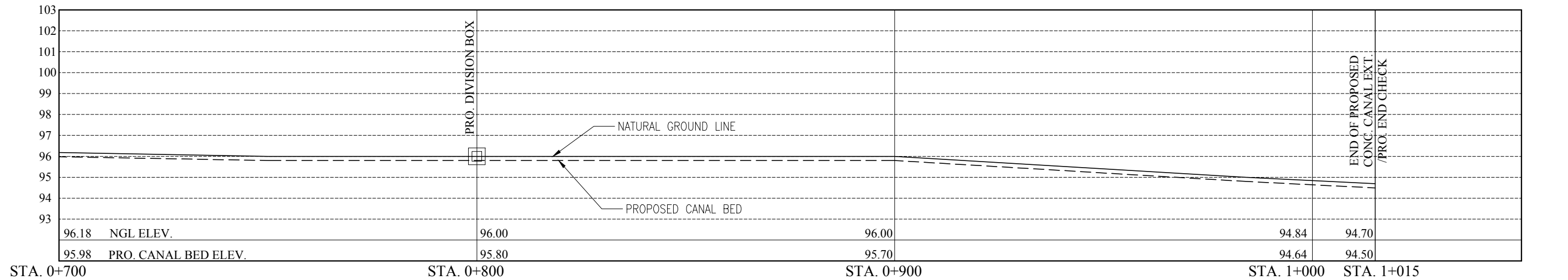
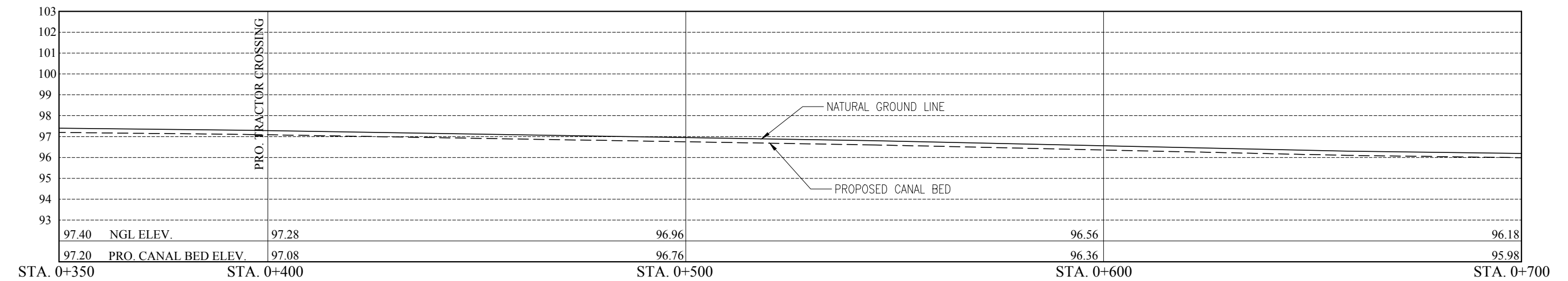
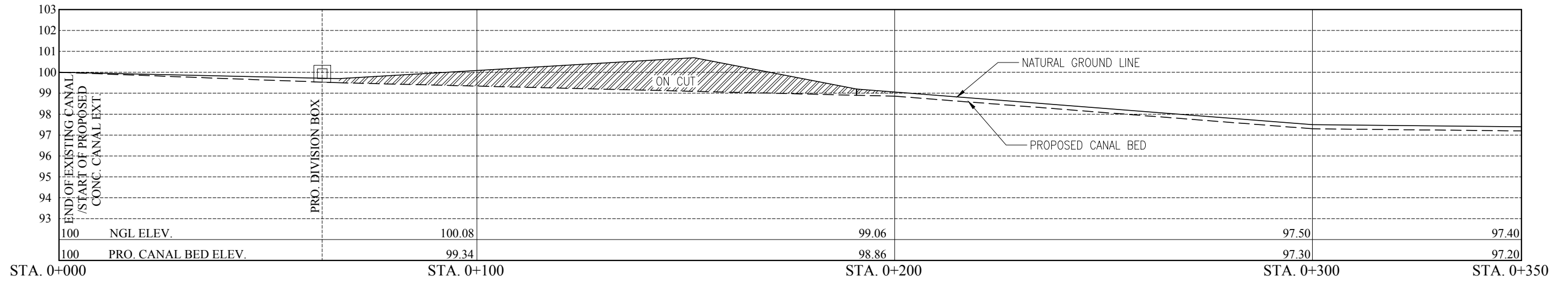
SHEET CONTENT :

A3 1/6	LOCATION MAP SHEET CONTENT
A3 2/6	FARM PLAN
A3 3/6	CANAL EXTENSION PROFILE
A3 4/6	CONCRETE CANAL DETAIL END CHECK DETAIL DIVISION BOX DETAIL TRACTOR CROSSING DETAIL
A3 5/6	DETAIL OF PROJECT MARKER
A3 6/6	DETAIL OF PROJECT BILLBOARD



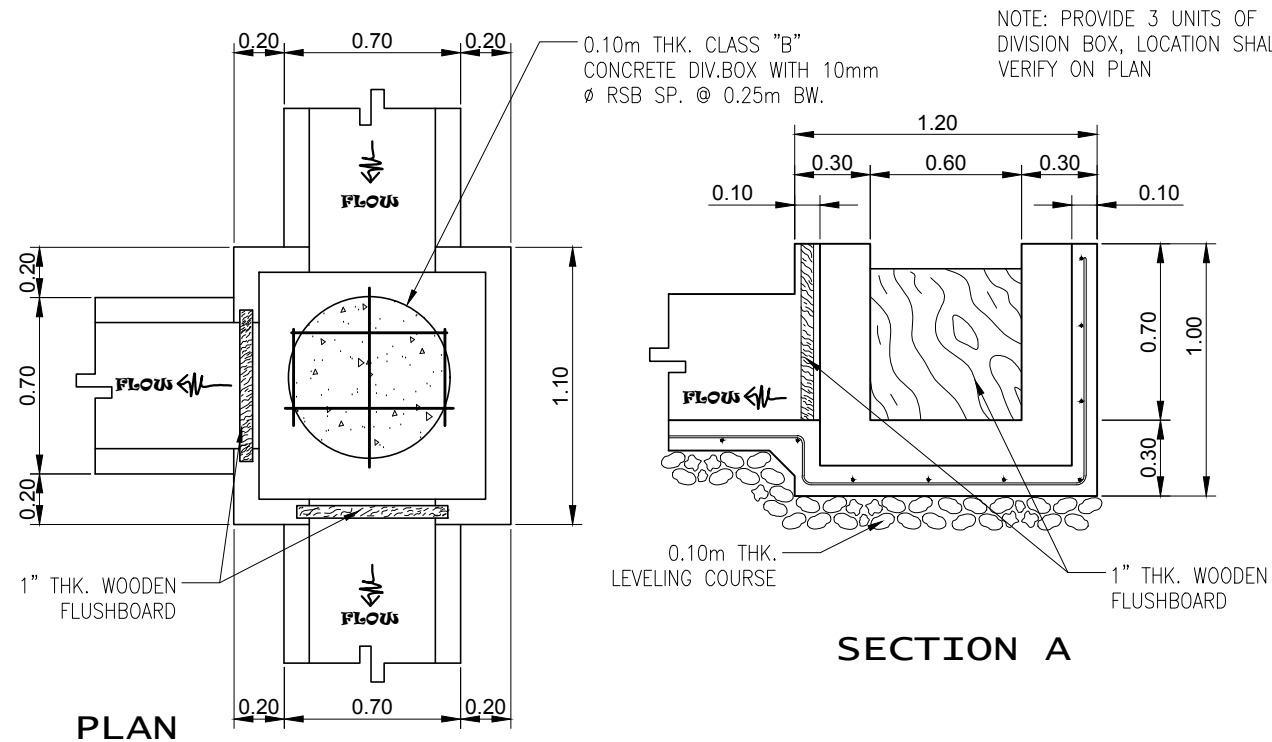
REPUBLIC OF THE PHILIPPINES
DEPARTMENT OF AGRICULTURE
REGIONAL FIELD UNIT NO. 5
SAN AGUSTIN, PILI, CAMARINES SUR

Prepared by:	Checked by:	Reviewed by:	Submitted by:	Recommending Approval:	Approved by:	Name of Project:	CAD by:
ENGR. ARJAY P. TAPIA Technical Staff	LEONIDES L. BULALACAO Jr. Surveyor, Farm Supervisor	ENGR. JERRY A. EBOÑA EPDSS Head, Engineer III	ENGR. NILDA T. ALBAÑO Chief RAED	LUZ R. MARCELINO RTD. for Operation and Extension	RODEL P. TORNILLA, MaBE Regional Executive Director	CONSTRUCTION OF CANAL EXTENSION OF MAYSALAY DD	Rjhay001
						Location:	DATE:
						Brgy. Maysalay, Goa, Camarines Sur	2020
						Sheet Contents:	Sheet No.:
						AS SHOWN	1/6

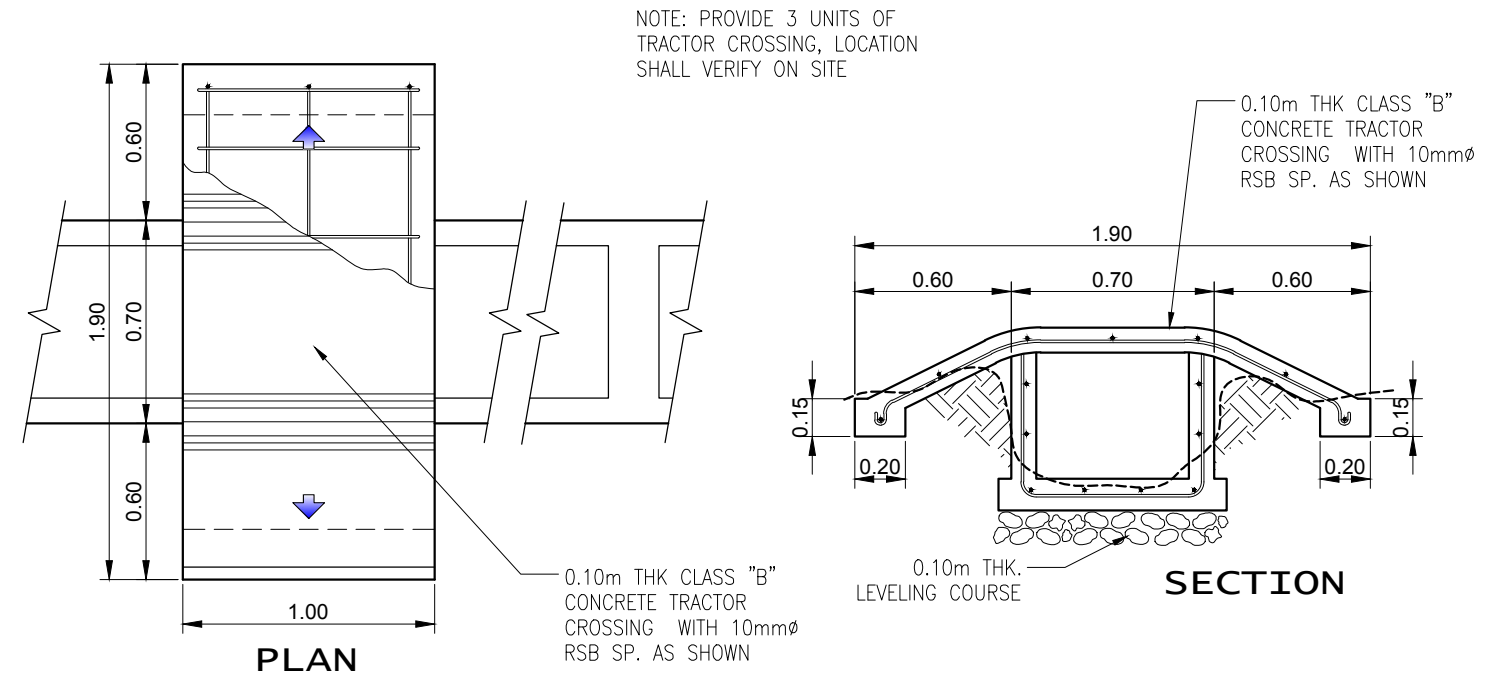


PROFILE ALONG CENTERLINE OF PROPOSED CANAL EXTENSION
 SCALE V - 1: 200; H - 1:1000 MTS.

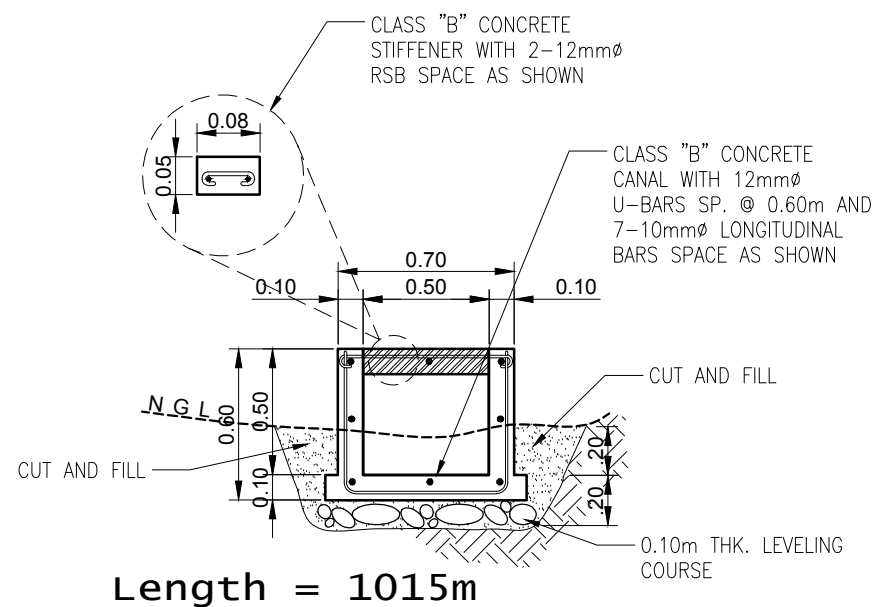
<p>REPUBLIC OF THE PHILIPPINES DEPARTMENT OF AGRICULTURE REGIONAL FIELD UNIT NO. 5 SAN AGUSTIN, PILI, CAMARINES SUR</p>	Prepared by:	Checked by:	Reviewed by:	Submitted by:	Recommending Approval:	Approved by:	Name of Project:	CAD by:	
	ENGR. ARJAY P. TAPIA Technical Staff	LEONIDES L. BULALACAO Jr. Surveyor, Farm Supervisor	ENGR. JERRY A. EBOÑA EPDSS Head, Engineer III	ENGR. NILDA T. ALBAÑO Chief RAED	LUZ R. MARCELINO RTD. for Operation and Extension	RODEL P. TORNILLA, MaBE Regional Executive Director	CONSTRUCTION OF CANAL EXTENSION OF MAYSALAY DD	Rjhay001	
								Location:	DATE:
								Brgy. Maysalay, Goa, Camarines Sur	2020
								Sheet Contents:	Sheet No.:
							AS SHOWN	3/6	



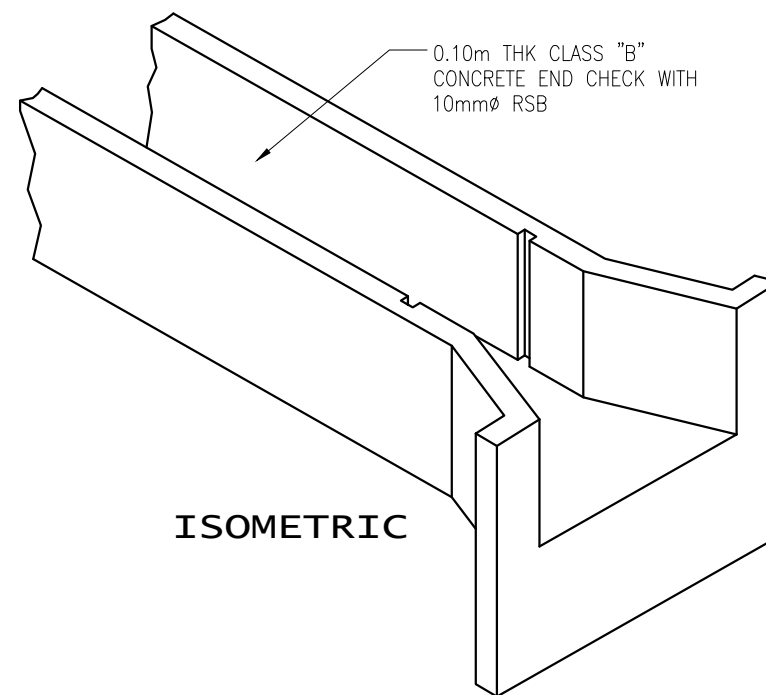
DIVISION BOX LEFT
SCALE 1: 30 MTS.



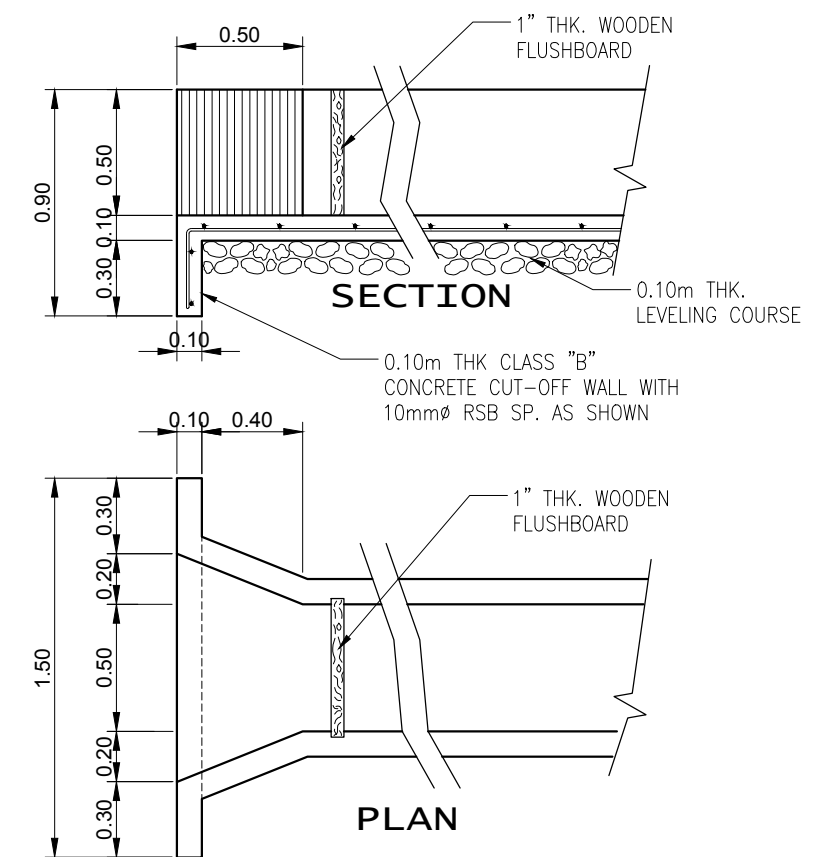
TRACTOR CROSSING
SCALE 1: 30 MTS.



CANAL DETAIL
SCALE 1: 30 MTS.



END CHECK DETAIL
SCALE 1: 30 MTS.



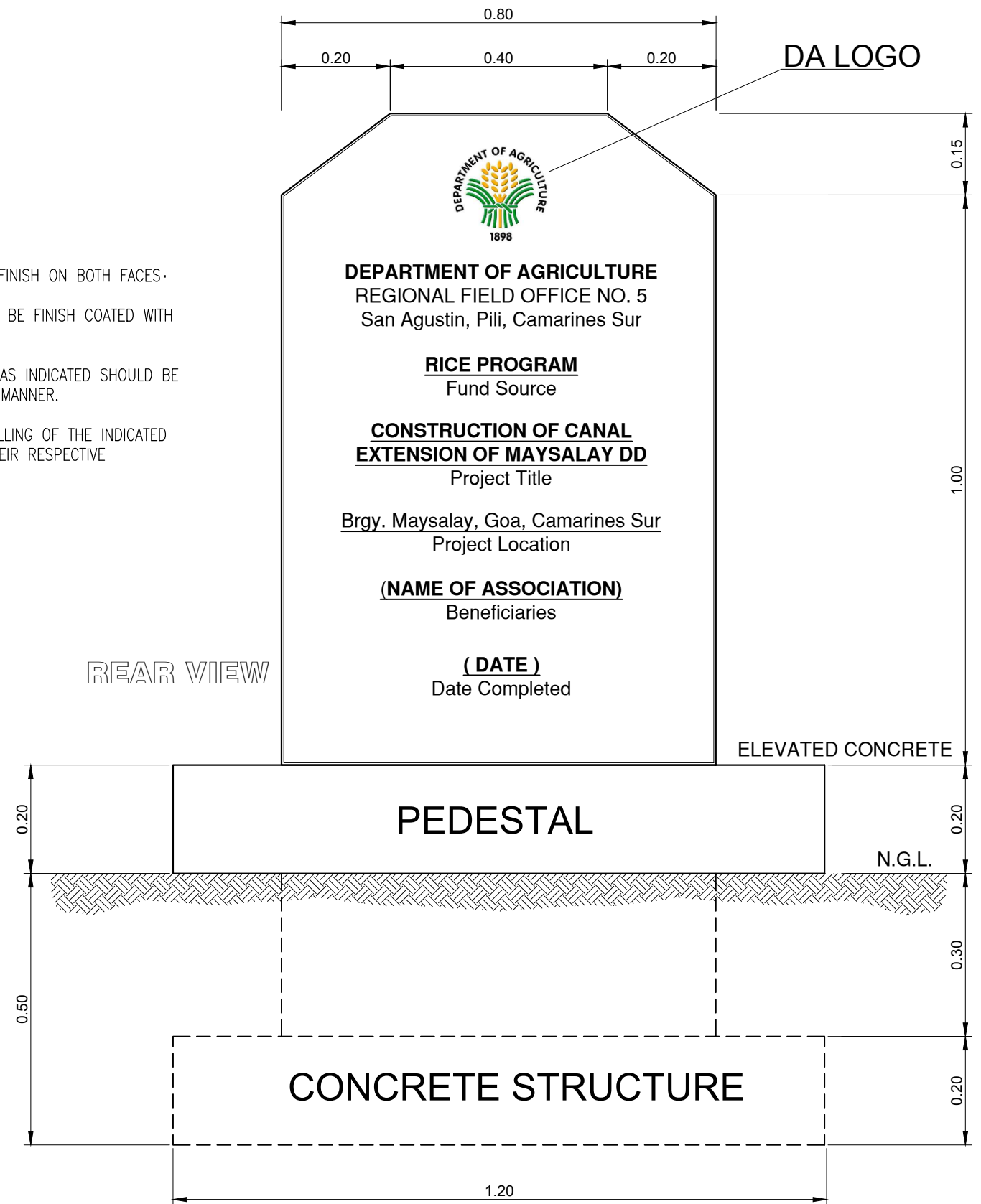
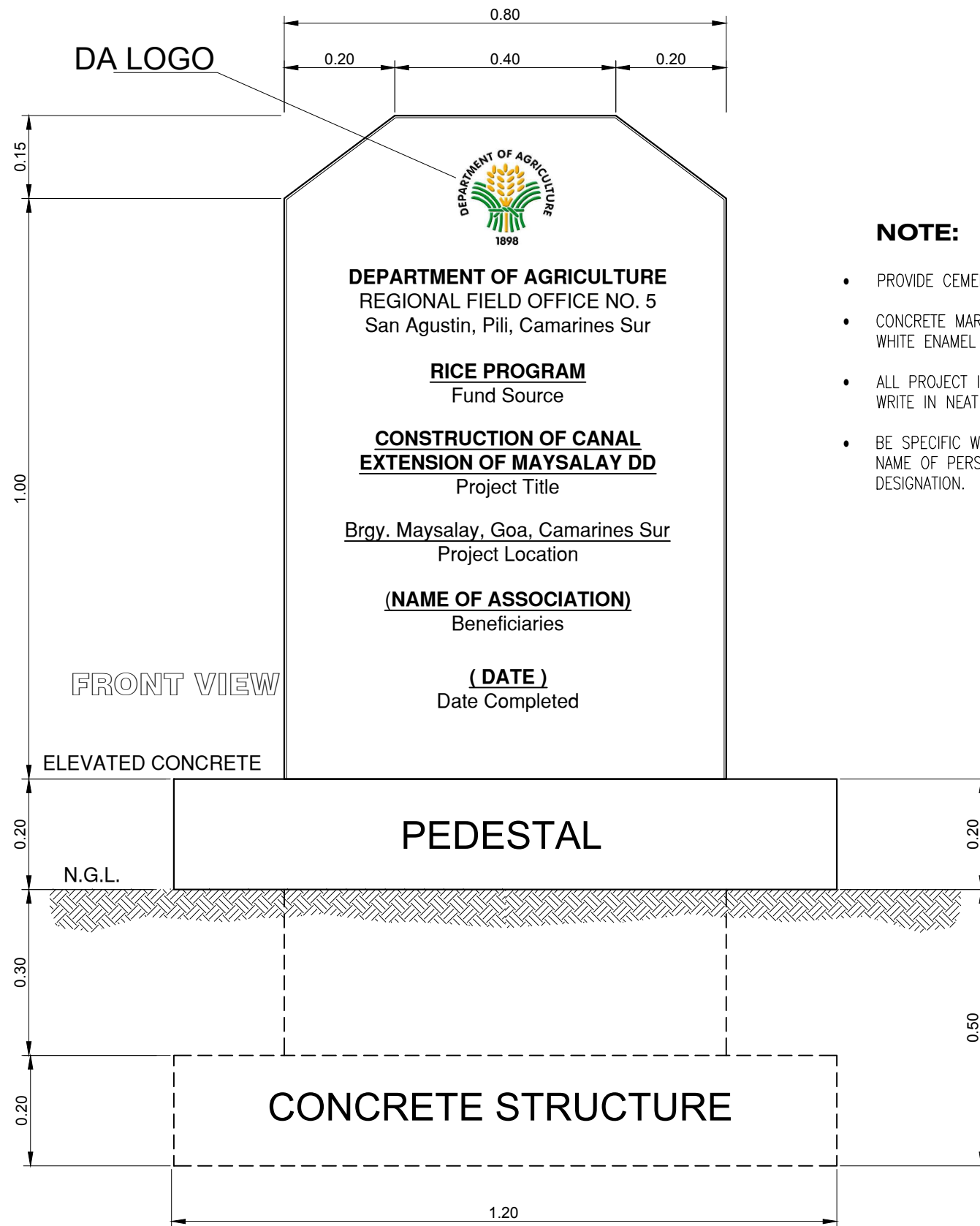
REPUBLIC OF THE PHILIPPINES
DEPARTMENT OF AGRICULTURE
REGIONAL FIELD UNIT NO. 5
SAN AGUSTIN, PILI, CAMARINES SUR

Prepared by:	Checked by:	Reviewed by:	Submitted by:	Recommending Approval:	Approved by:
ENGR. ARJAY P. TAPIA Technical Staff	LEONIDES L. BULALACAO Jr. Surveyor, Farm Supervisor	ENGR. JERRY A. EBOÑA EPDSS Head, Engineer III	ENGR. NILDA T. ALBAÑO Chief RAED	LUZ R. MARCELINO RTD. for Operation and Extension	RODEL P. TORNILLA, MaBE Regional Executive Director

Name of Project:	CAD by:
CONSTRUCTION OF CANAL EXTENSION OF MAYSALAY DD	Rjhay001
Location:	DATE:
Brgy. Maysalay, Goa, Camarines Sur	2020
Sheet Contents:	Sheet No.:
AS SHOWN	4/6

NEW CONCRETE MARKER OF RICE PROGRAM PROJECT

SCALE: 1:10m.



NOTE:

- PROVIDE CEMENT PLASTER FINISH ON BOTH FACES.
- CONCRETE MARKER SHOULD BE FINISH COATED WITH WHITE ENAMEL PAINT.
- ALL PROJECT INFORMATION AS INDICATED SHOULD BE WRITE IN NEAT AND CLEAR MANNER.
- BE SPECIFIC WITH THE SPELLING OF THE INDICATED NAME OF PERSONS AND THEIR RESPECTIVE DESIGNATION.

 REPUBLIC OF THE PHILIPPINES DEPARTMENT OF AGRICULTURE REGIONAL FIELD UNIT NO. 5 SAN AGUSTIN, PILI, CAMARINES SUR	Prepared by:	Checked by:	Reviewed by:	Submitted by:	Recommending Approval:	Approved by:	Name of Project:	CAD by:	
	ENGR. ARJAY P. TAPIA <small>Technical Staff</small>	LEONIDES L. BULALACAO Jr. <small>Surveyor, Farm Supervisor</small>	ENGR. JERRY A. EBOÑA <small>EPDSS Head, Engineer III</small>	ENGR. NILDA T. ALBAÑO <small>Chief RAED</small>	LUZ R. MARCELINO <small>RTD. for Operation and Extension</small>	RODEL P. TORNILLA, MaBE <small>Regional Executive Director</small>	CONSTRUCTION OF CANAL EXTENSION OF MAYSALAY DD	Rjhay001	
								Location:	DATE:
								Brgy. Maysalay, Goa, Camarines Sur	2020
								Sheet Contents:	Sheet No.:
							AS SHOWN	5 / 6	



DEPARTMENT OF AGRICULTURE
Regional Field Office No. 5
San Agustin, Pili, Camarines Sur

Project: _____

Cost: _____

Location: _____

Fund Source/s: _____

Contractor: _____

Brief Description of Project: _____

Project Details: _____

Project Date:			Project Status				Remarks
Duration	Started	Target Date of Completion	Percentage of Completion	As of (Date)	Cost Incurred to Date	Date Completed	

For particulars or complaints about this project, please contact the Regional Office or Cluster which has audit jurisdiction on this project:

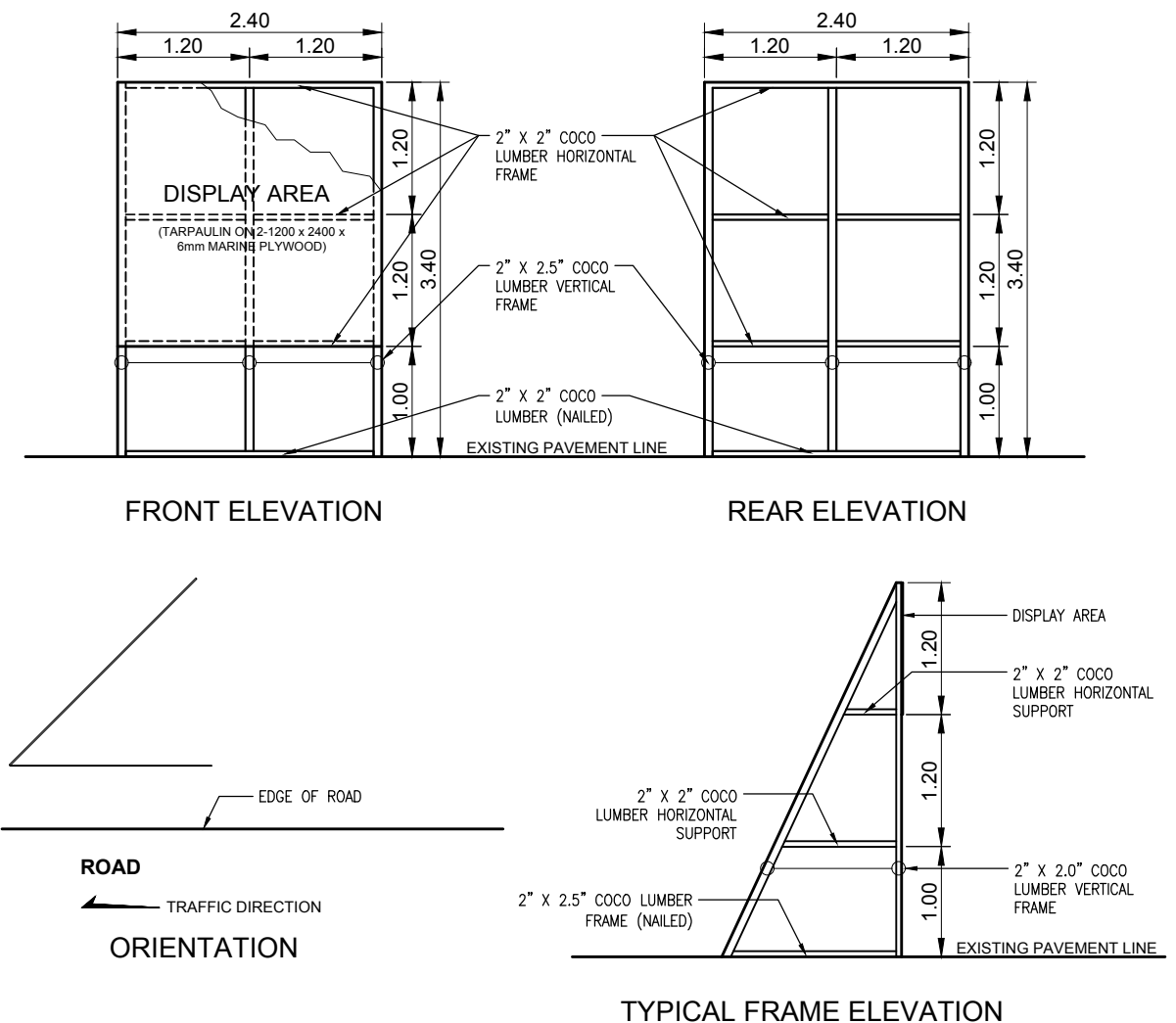
COA Regional Office No./Cluster: _____
Address: _____
Contact No.: _____

"A food-secure Philippines with Prosperous farmers and fisherfolks"



TARPAULIN SHOULD ADHERE TO COMMISSION ON AUDIT CIRCULAR 2013-004 PREPARATION AND INSTALLATION GUIDELINES:

1. THE NEW BILLBOARD DESIGN LAYOUT AND DIMENSION (SEE ATTACHED DRAWING) SHALL BE INSTALLED ON A STANDARD BILLBOARD MEASURING 2.4m X 2.4m (8ft.X8ft.) USING 12mm (1/2 inch) THICK MARINE PLYWOOD OR TARPAULIN POSTED ON 5mm (3/16inch) MARINE PLYWOOD.
2. FOR EACH PROJECT, THE BILLBOARD SHALL BE INSTALLED IN FRONT OF THE PROJECT SITE.
3. NAME(S) AND/OR PICTURE(S) OF ANY PERSONAGES SHOULD NOT APPEAR IN THE BILLBOARD.
4. NO POLITICAL BILLBOARD SHALL BE ALLOWED TO BE INSTALLED 100 METERS BEFORE AND 100 METERS AFTER ALL DA-RF05 PROJECTS AND IN BETWEEN THE PROJECT LIMITS OR WITHIN THE ROAD RIGHT-OF-WAY.
5. DEPARTMENT OF AGRICULTURE CONTRACTORS SHALL NOT BE ALLOWED TO PLACE NAMES OF POLITICIANS ON THEIR EQUIPMENT OR CARRY POLITICAL BILLBOARD ON THEIR EQUIPMENT.



PROJECT BILLBOARD DETAIL
NOT TO SCALE

<p>REPUBLIC OF THE PHILIPPINES DEPARTMENT OF AGRICULTURE REGIONAL FIELD UNIT NO. 5 SAN AGUSTIN, PILI, CAMARINES SUR</p>	Prepared by:	Checked by:	Reviewed by:	Submitted by:	Recommending Approval:	Approved by:	Name of Project:	CAD by:
	ENGR. ARJAY P. TAPIA Technical Staff	LEONIDES L. BULALACAO Jr. Surveyor, Farm Supervisor	ENGR. JERRY A. EBOÑA EPDSS Head, Engineer III	ENGR. NILDA T. ALBAÑO Chief RAED	LUZ R. MARCELINO RTD. for Operation and Extension	RODEL P. TORNILLA, MaBE Regional Executive Director	CONSTRUCTION OF CANAL EXTENSION OF MAYSALAY DD	Rjhay001
							Location:	DATE:
							Brgy. Maysalay, Goa, Camarines Sur	2020
							Sheet Contents:	Sheet No.:
						AS SHOWN	6/6	