

REPUBLIC OF THE PHILIPPINES
DEPARTMENT OF AGRICULTURE
REGIONAL FIELD UNIT NO.5
SAN AGUSTIN, PILI, CAMARINES SUR.

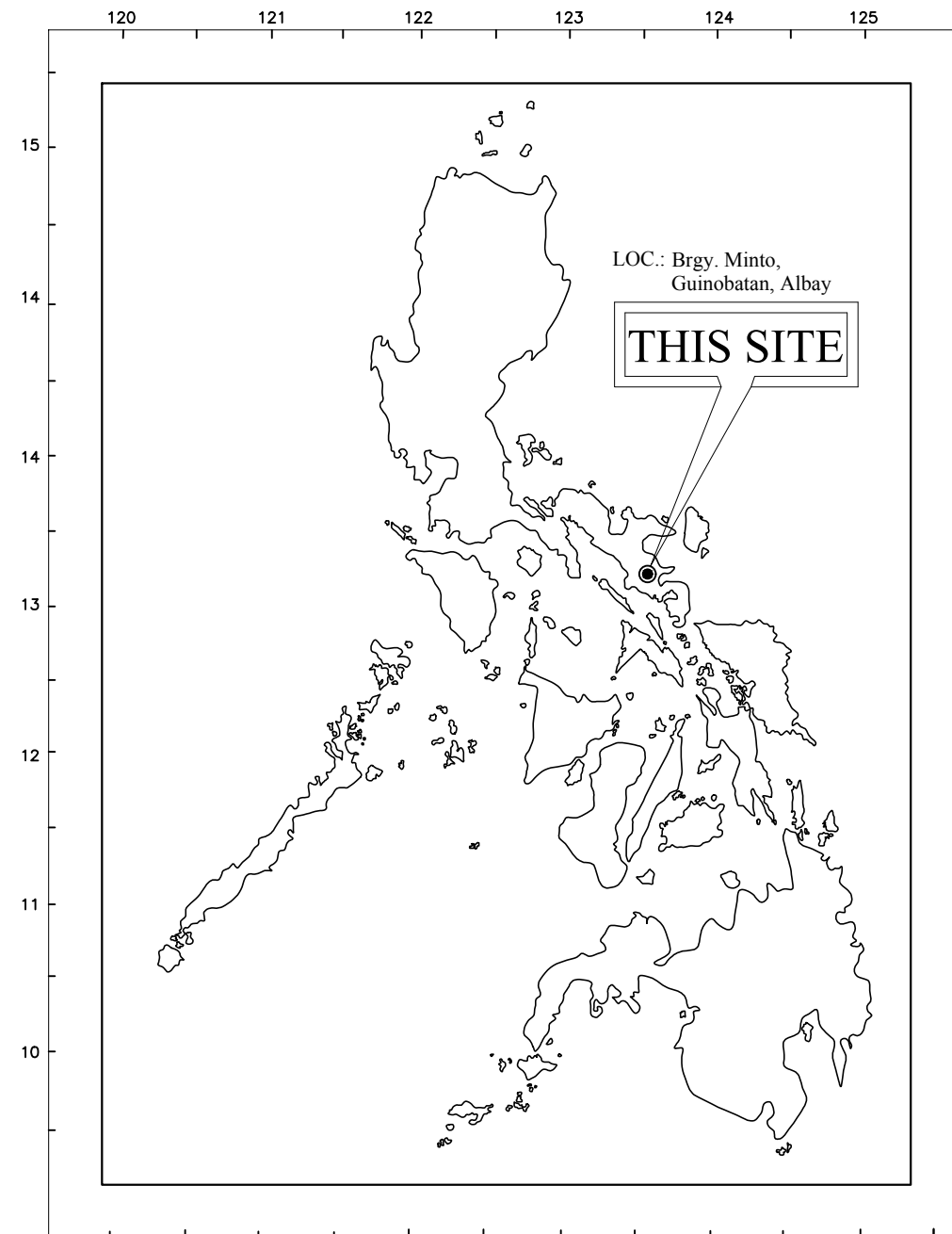
PROJECT TITLE:

**CONSTRUCTION OF CANAL EXTENSION
OF MINTO DIVERSION DAM**
LOCATION: BRGY. MINTO, GUINOBATAN, ALBAY

PREPARED BY:

RAED OFFICE





L O C A T I O N M A P

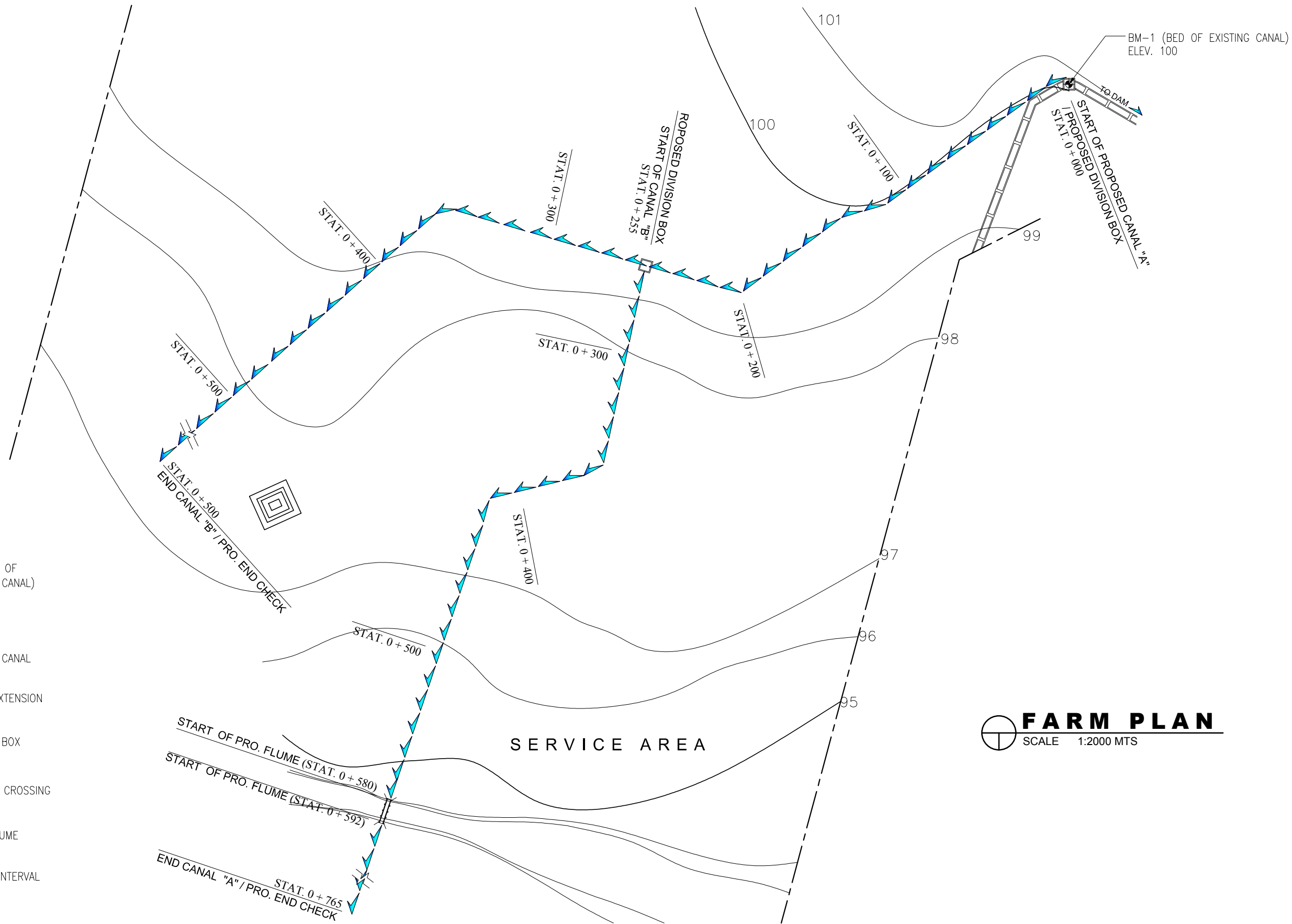
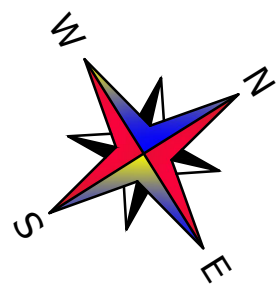
SHEET CONTENT :

A3 1/8	LOCATION MAP SHEET CONTENT
A3 2/8	FARM PLAN
A3 3/8	PROFILE ALONG CENTERLINE OF CANAL "A"
A3 4/8	PROFILE ALONG CENTERLINE OF CANAL "B" TYPICAL CONCRETE BARRIER DETAIL
A3 5/8	CONCRETE CANAL "A" DETAIL CONCRETE CANAL "B" DETAIL HDPE FLUME DETAIL AND PROFILE
A3 6/8	DIVISION BOX DETAIL TRACTOR CROSSING DETAIL END CHECK DETAIL
A3 7/8	DETAIL OF PROJECT MARKER
A3 8/8	DETAIL OF PROJECT BILLBOARD



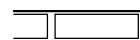







REPUBLIC OF THE PHILIPPINES
DEPARTMENT OF AGRICULTURE
REGIONAL FIELD UNIT NO. 5
SAN AGUSTIN, PILI, CAMARINES SUR


Name of Project: CONSTRUCTION OF CANAL EXTENSION OF MINTO DD		Prepared by: ENGR. ARJAY P. TAPIA Technical Staff	Checked by: LEONIDES L. BULALACAO Jr. Surveyor, Farm Supervisor	Reviewed by: ENGR. JERRY A. EBOÑA EPDSS Head, Engineer III	Submitted by: ENGR. NILDA T. ALBAÑO Chief RAED	Recommending Approval: LUZ R. MARCELINO RTD. for Operation and Extension	Approved by: RODEL P. TORNILLA, MABE Regional Executive Director	CAD by: Rjhay001
Location: Brgy. Minto, Guinobatan, Albay								DATE: 2020
Fund Source: 2021 RICE PROGRAM	Sheet Content: AS SHOWN							Sheet No.: 1/8

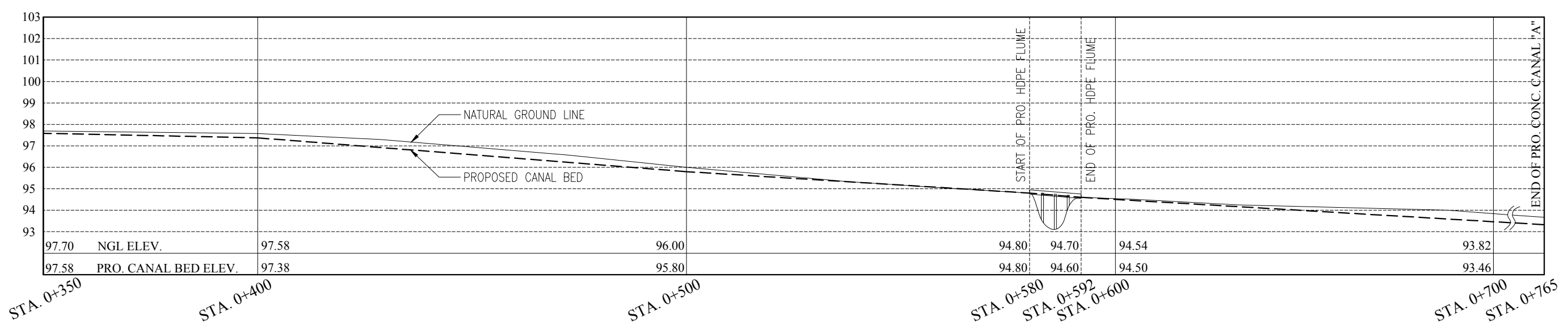
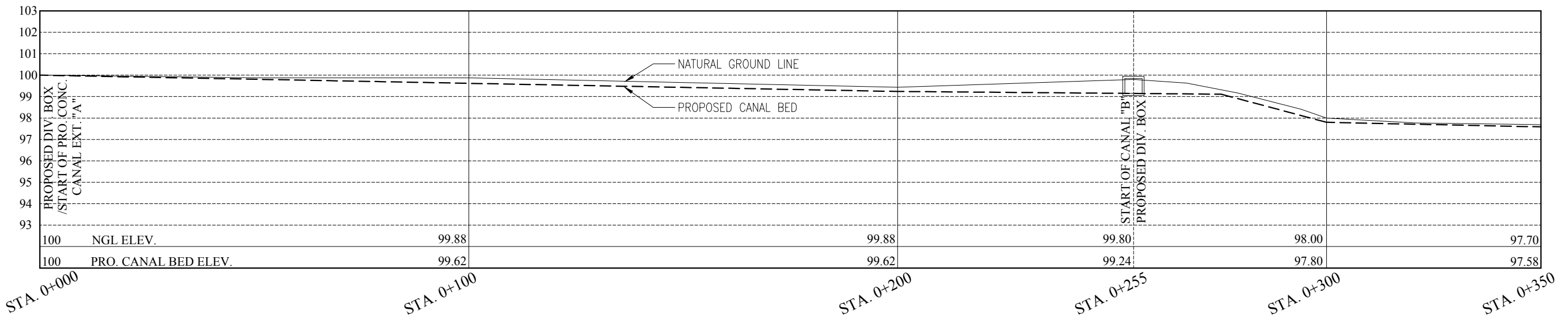


LEGEND:

-  **BM 1** BENCHMARK 1 (BED OF EXISTING CONCRETE CANAL)
-  SURVEY BOUNDARY
-  EXISTING CONCRETE CANAL
-  PROPOSED CANAL EXTENSION
-  PROPOSED DIVISION BOX
-  PROPOSED TRACTOR CROSSING
-  PROPOSED HDPE FLUME
-  CONTOUR WITH 1M INTERVAL

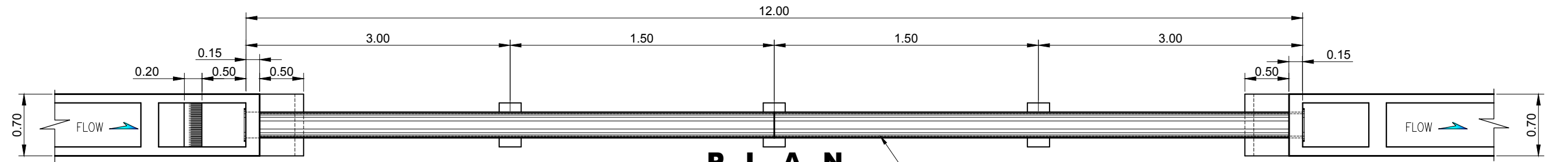
FARM PLAN
SCALE 1:2000 MTS

 <p>REPUBLIC OF THE PHILIPPINES DEPARTMENT OF AGRICULTURE REGIONAL FIELD UNIT NO. 5 SAN AGUSTIN, PILI, CAMARINES SUR</p>	Name of Project: CONSTRUCTION OF CANAL EXTENSION OF MINTO DD		Prepared by: ENGR. ARJAY P. TAPIA <small>Technical Staff</small>	Checked by: LEONIDES L. BULALACAO Jr. <small>Surveyor, Farm Supervisor</small>	Reviewed by: ENGR. JERRY A. EBOÑA <small>EPDSS Head, Engineer III</small>	Submitted by: ENGR. NILDA T. ALBAÑO <small>Chief RAED</small>	Recommending Approval: LUZ R. MARCELINO <small>RTD. for Operation and Extension</small>	Approved by: RODEL P. TORNILLA, MABE <small>Regional Executive Director</small>	CAD by: Rrhay001
	Location: Brgy. Minto, Guinobatan, Albay		Fund Source: 2021 RICE PROGRAM		Sheet Content: AS SHOWN				DATE: 2020
									Sheet No.:
									2 / 8

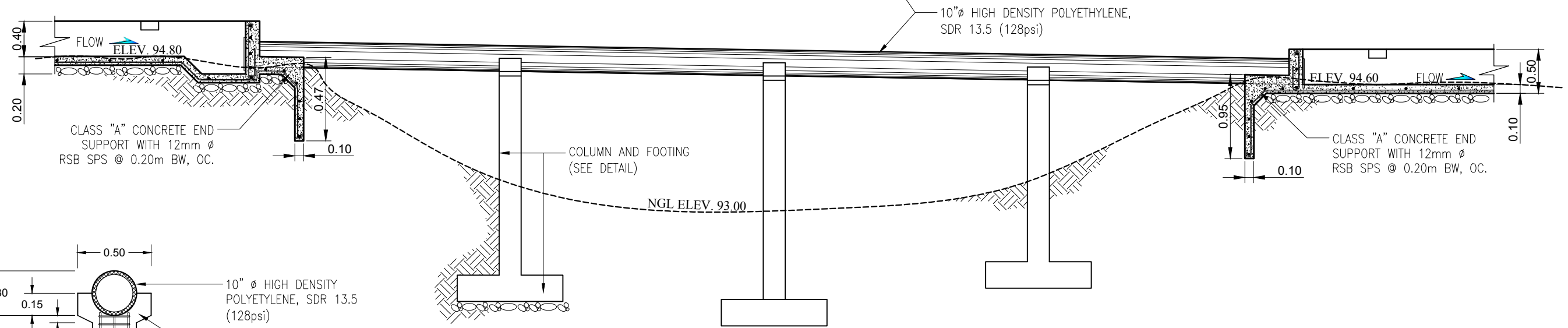


PROFILE ALONG CENTERLINE OF PROPOSED CANAL EXTENSION "A"
 SCALE V - 1: 200; H - 1:1000 MTS.

 DEPARTMENT OF AGRICULTURE 1898	REPUBLIC OF THE PHILIPPINES DEPARTMENT OF AGRICULTURE REGIONAL FIELD UNIT NO. 5 SAN AGUSTIN, PILI, CAMARINES SUR		Name of Project:	CONSTRUCTION OF CANAL EXTENSION OF MINTO DD			Prepared by:	ENGR. ARJAY P. TAPIA <small>Technical Staff</small>	Checked by:	LEONIDES L. BULALACAO Jr. <small>Surveyor, Farm Supervisor</small>	Reviewed by:	ENGR. JERRY A. EBOÑA <small>EPDSS Head, Engineer III</small>	Submitted by:	ENGR. NILDA T. ALBAÑO <small>Chief RAED</small>	Recommending Approval:	LUZ R. MARCELINO <small>RTD. for Operation and Extension</small>	Approved by:	RODEL P. TORNILLA, MABE <small>Regional Executive Director</small>	CAD by:	Rjhay001	
	Location:		Brgy. Minto, Guinobatan, Albay			Fund Source:		2021 RICE PROGRAM			Sheet Content:		AS SHOWN			DATE:		2020		Sheet No.:	
	<div style="border: 1px solid black; padding: 5px; display: inline-block;"> 3 / 8 </div>																				

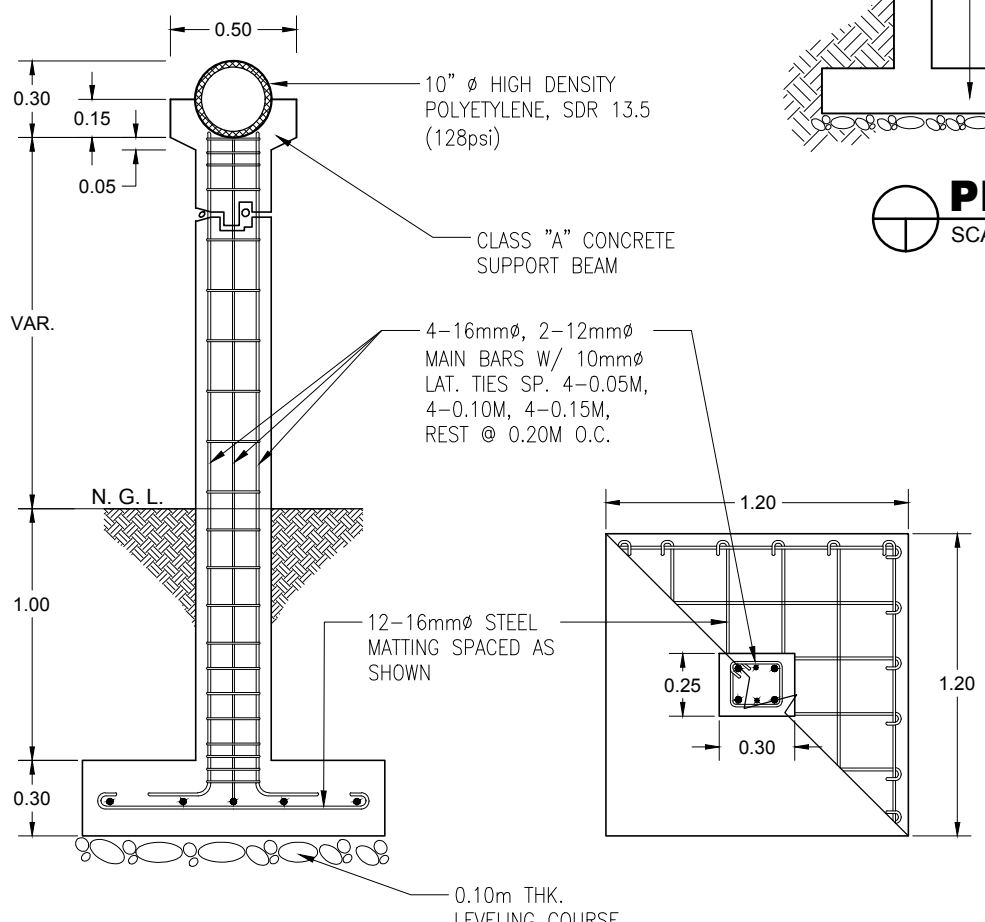


PLAN



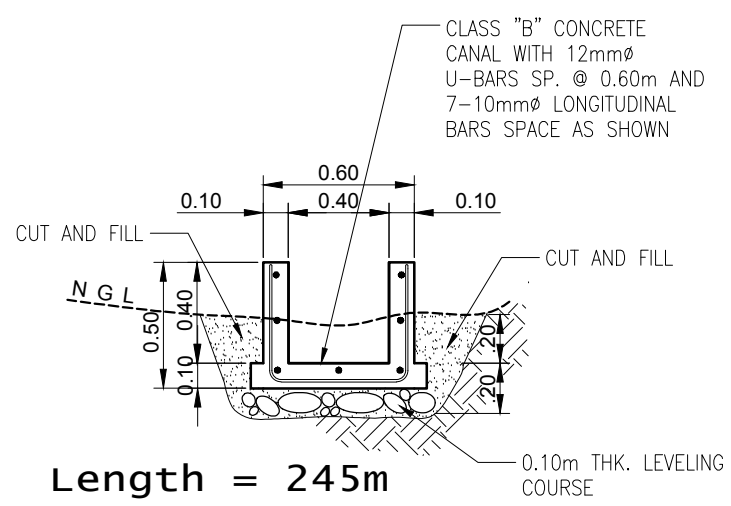
PROFILE ALONG CENTERLINE OF FLUME

SCALE 1: 50 MTS.



TYPICAL FLUME C1F1 DETAIL

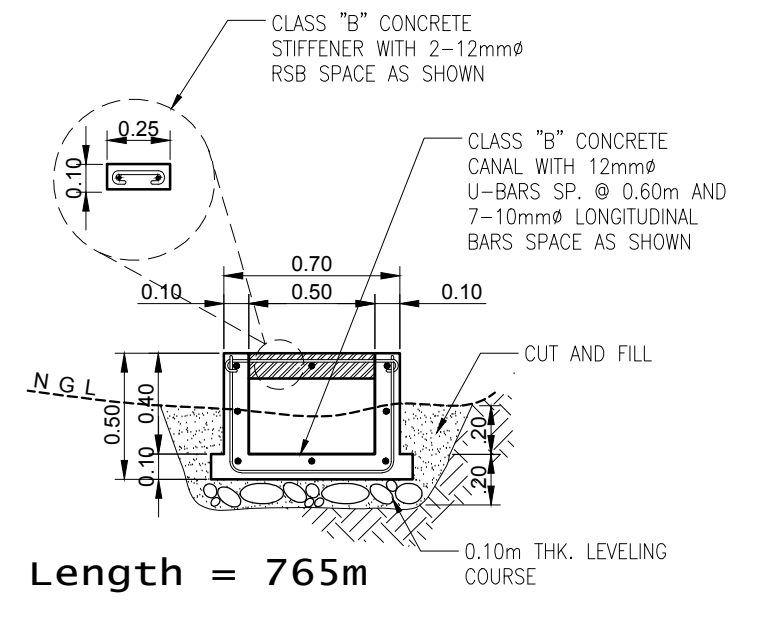
SCALE 1: 30 MTS.



Length = 245m

CANAL DETAIL "B"

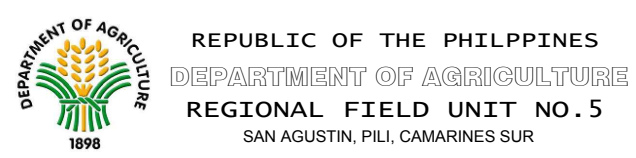
SCALE 1: 30 MTS.



Length = 765m

CANAL DETAIL "A"

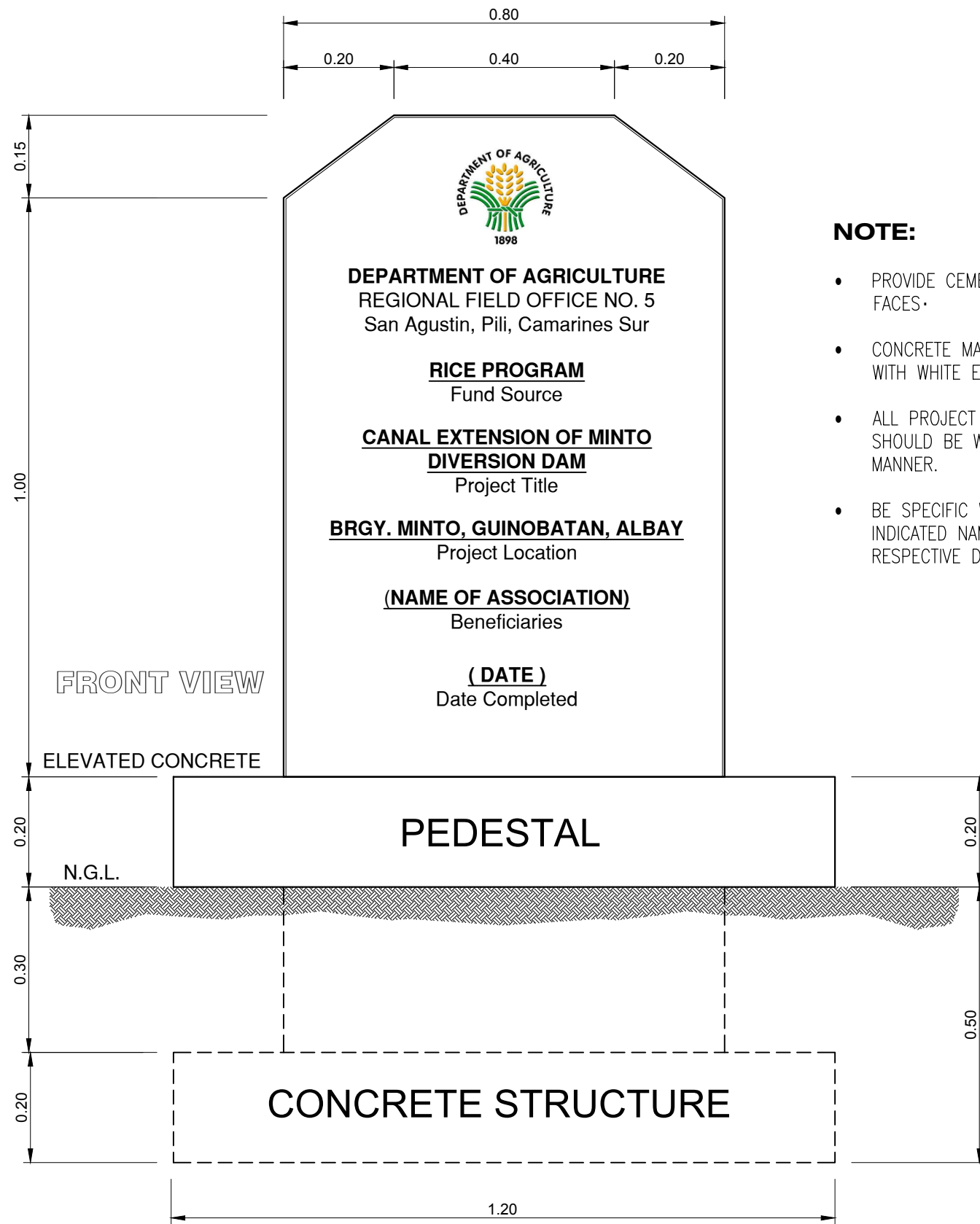
SCALE 1: 30 MTS.



Name of Project: CONSTRUCTION OF CANAL EXTENSION OF MINTO DD		Prepared by: ENGR. ARJAY P. TAPIA Technical Staff	Checked by: LEONIDES L. BULALACAO Jr. Surveyor, Farm Supervisor	Reviewed by: ENGR. JERRY A. EBOÑA EPDSS Head, Engineer III	Submitted by: ENGR. NILDA T. ALBAÑO Chief RAED	Recommending Approval: LUZ R. MARCELINO RTD. for Operation and Extension	Approved by: RODEL P. TORNILLA, MABE Regional Executive Director	CAD by: Rrhay001
Location: Brgy. Minto, Guinobatan, Albay		Fund Source: 2021 RICE PROGRAM		Sheet Content: AS SHOWN		DATE: 2020		Sheet No.: 5 / 8

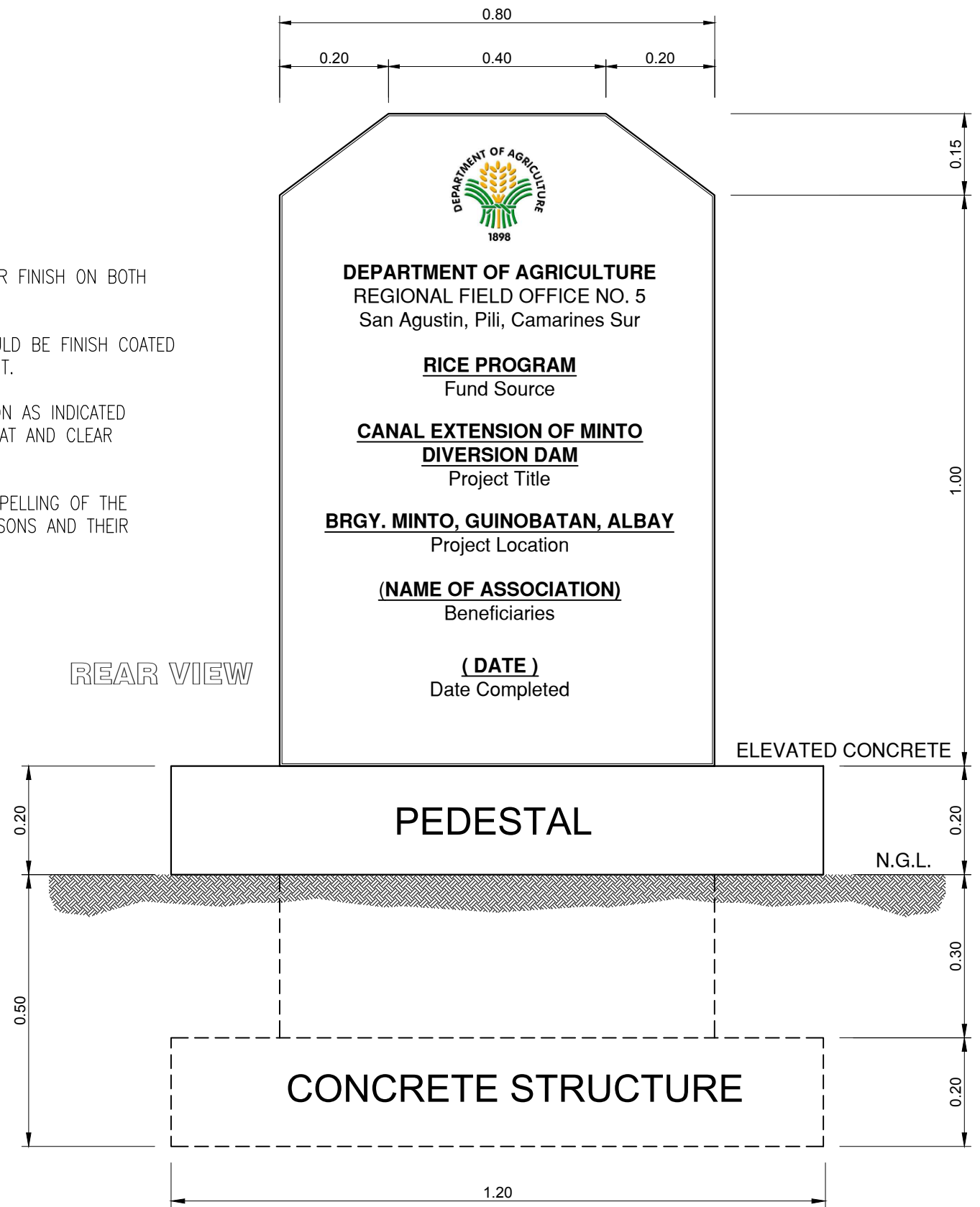
NEW CONCRETE MARKER OF RICE PROGRAM PROJECT

SCALE: 1:10m.



NOTE:

- PROVIDE CEMENT PLASTER FINISH ON BOTH FACES.
- CONCRETE MARKER SHOULD BE FINISH COATED WITH WHITE ENAMEL PAINT.
- ALL PROJECT INFORMATION AS INDICATED SHOULD BE WRITE IN NEAT AND CLEAR MANNER.
- BE SPECIFIC WITH THE SPELLING OF THE INDICATED NAME OF PERSONS AND THEIR RESPECTIVE DESIGNATION.



 REPUBLIC OF THE PHILIPPINES DEPARTMENT OF AGRICULTURE REGIONAL FIELD UNIT NO. 5 SAN AGUSTIN, PILI, CAMARINES SUR	Name of Project:		Prepared by:	Checked by:	Reviewed by:	Submitted by:	Recommending Approval:	Approved by:	CAD by:
	CONSTRUCTION OF CANAL EXTENSION OF MINTO DD		ENGR. ARJAY P. TAPIA	LEONIDES L. BULALACAO Jr.	ENGR. JERRY A. EBOÑA	ENGR. NILDA T. ALBAÑO	LUZ R. MARCELINO	RODEL P. TORNILLA, MABE	Rjhay001
	Location:		ENGR. ARJAY P. TAPIA	LEONIDES L. BULALACAO Jr.	ENGR. JERRY A. EBOÑA	ENGR. NILDA T. ALBAÑO	LUZ R. MARCELINO	RODEL P. TORNILLA, MABE	DATE:
	Brgy. Minto, Guinobatan, Albay		ENGR. ARJAY P. TAPIA	LEONIDES L. BULALACAO Jr.	ENGR. JERRY A. EBOÑA	ENGR. NILDA T. ALBAÑO	LUZ R. MARCELINO	RODEL P. TORNILLA, MABE	2020
	Fund Source:	Sheet Content:	ENGR. ARJAY P. TAPIA	LEONIDES L. BULALACAO Jr.	ENGR. JERRY A. EBOÑA	ENGR. NILDA T. ALBAÑO	LUZ R. MARCELINO	RODEL P. TORNILLA, MABE	Sheet No.:
2021 RICE PROGRAM	AS SHOWN	ENGR. ARJAY P. TAPIA	LEONIDES L. BULALACAO Jr.	ENGR. JERRY A. EBOÑA	ENGR. NILDA T. ALBAÑO	LUZ R. MARCELINO	RODEL P. TORNILLA, MABE	7/8	

