

REPUBLIC OF THE PHILIPPINES
DEPARTMENT OF AGRICULTURE
REGIONAL FIELD UNIT NO.5
SAN AGUSTIN, PILI, CAMARINES SUR.

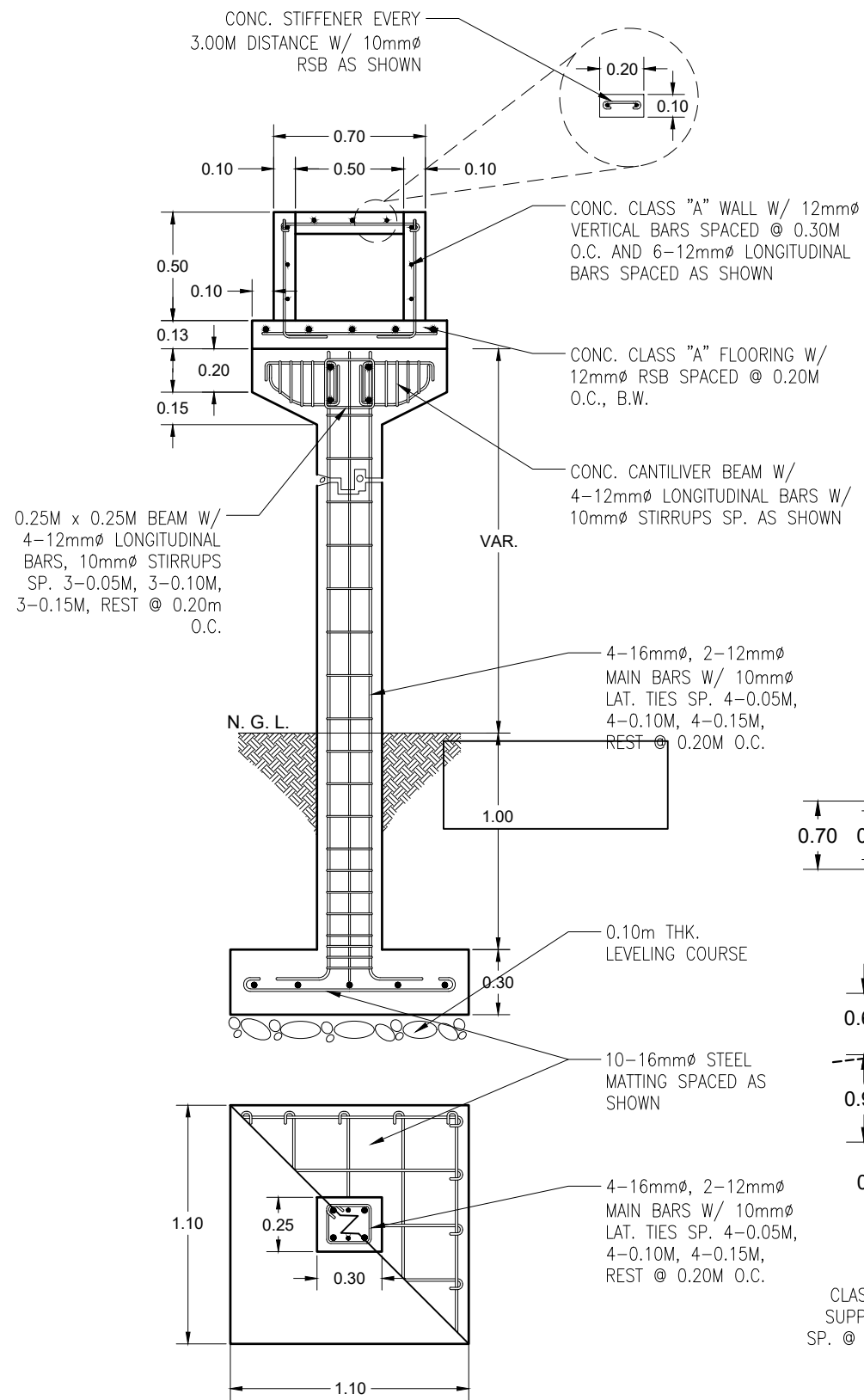
PROJECT TITLE:

**CONSTRUCTION OF CANAL EXTENSION
OF SITIO PADUROG STO. NIÑO DIVERSION DAM**
LOCATION: BRGY. STO. NIÑO, VIRAC, CATANDUANES

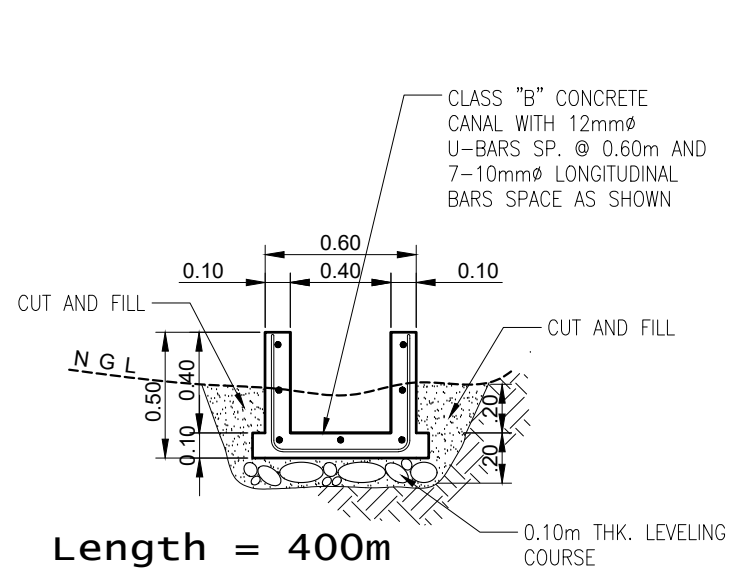
PREPARED BY:

RAED OFFICE

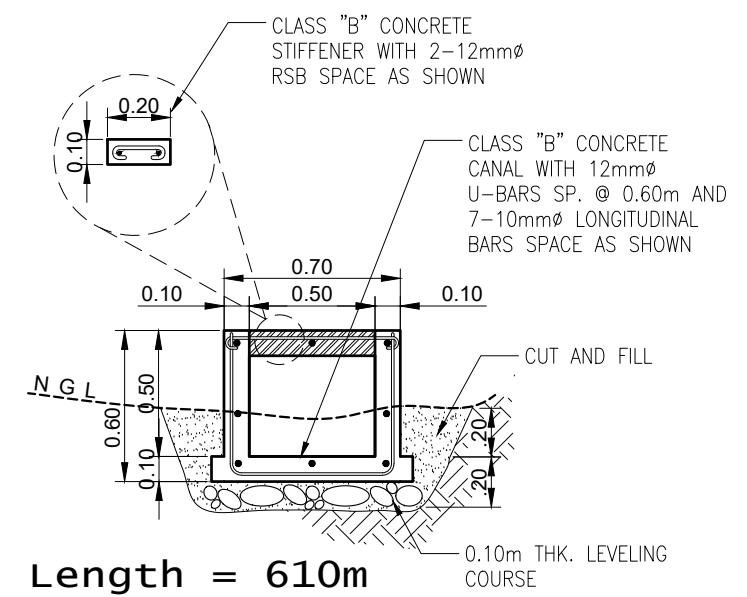




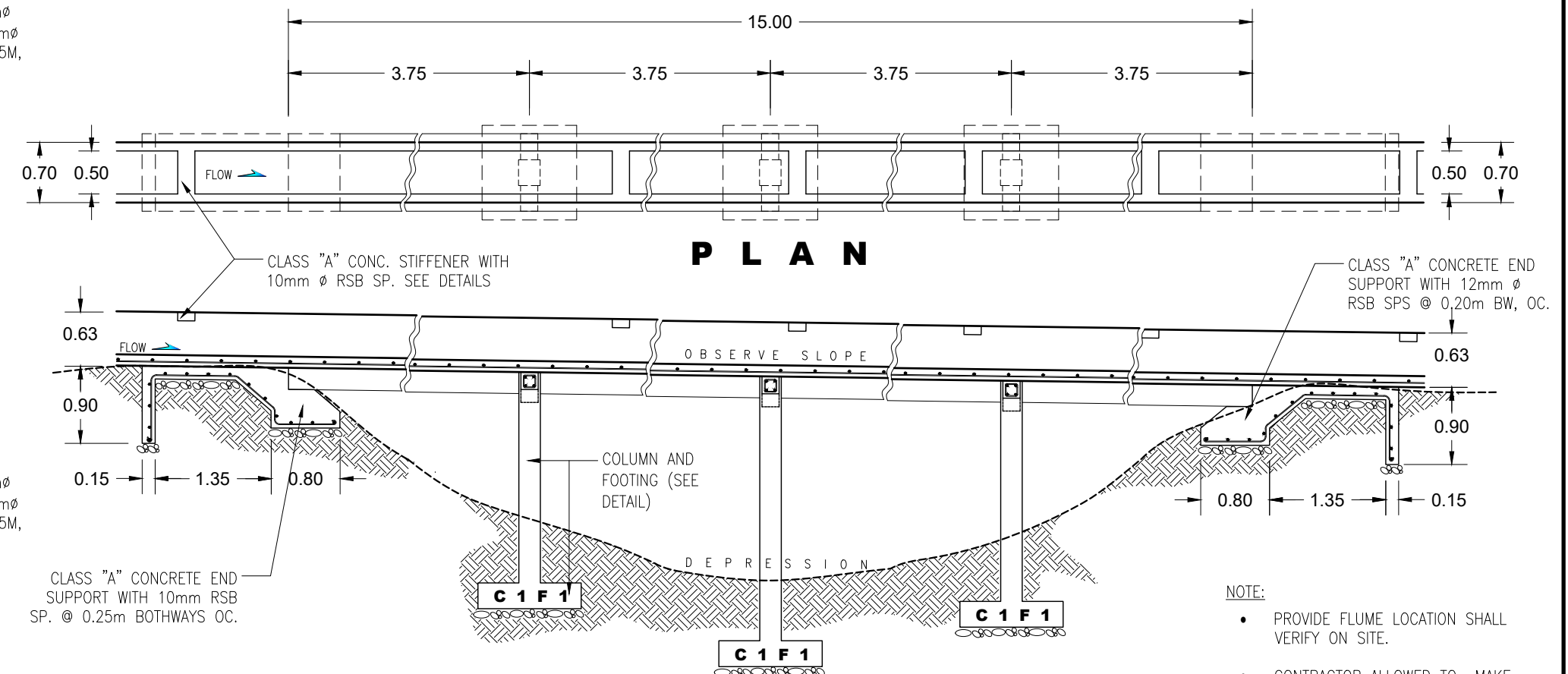
TYPICAL FLUME C1F1 DETAIL
SCALE 1: 30 MTS.



LATERAL CANAL DETAIL
SCALE 1: 30 MTS.



TYPICAL CANAL DETAIL
SCALE 1: 30 MTS.



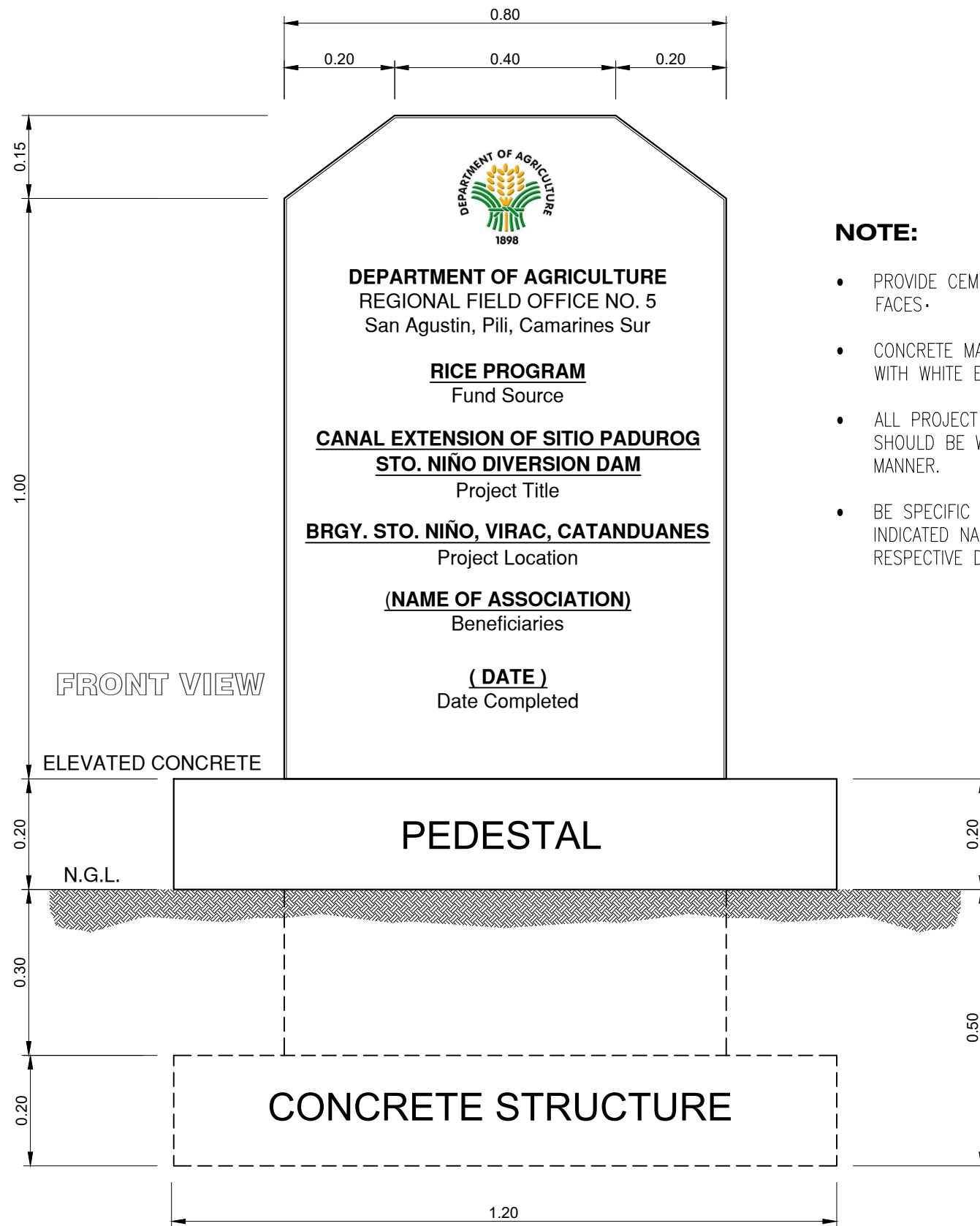
PROFILE ALONG CENTERLINE OF FLUME
SCALE 1: 150 MTS.

- NOTE:
- PROVIDE FLUME LOCATION SHALL VERIFY ON SITE.
 - CONTRACTOR ALLOWED TO MAKE AN ADJUSTMENT BASE ON ACTUAL DEPRESSION AND LENGTH.

Name of Project: CONSTRUCTION OF CANAL EXT. OF SITIO PADUROG STO. NIÑO DD		Prepared by: ENGR. ARJAY P. TAPIA Technical Staff	Checked by: LEONIDES L. BULALACAO Jr. Surveyor, Farm Supervisor	Reviewed by: ENGR. JERRY A. EBOÑA EPDSS Head, Engineer III	Submitted by: ENGR. NILDA T. ALBAÑO Chief RAED	Recommending Approval: LUZ R. MARCELINO RTD. for Operation and Extension	Approved by: RODEL P. TORNILLA, MABE Regional Executive Director	CAD by: Rrhay001
Location: Brgy. Sto Niño, Virac, Catanduanes		Fund Source: 2021 RICE PROGRAM		Sheet Content: AS SHOWN		DATE: 2020		Sheet No.: 3/6

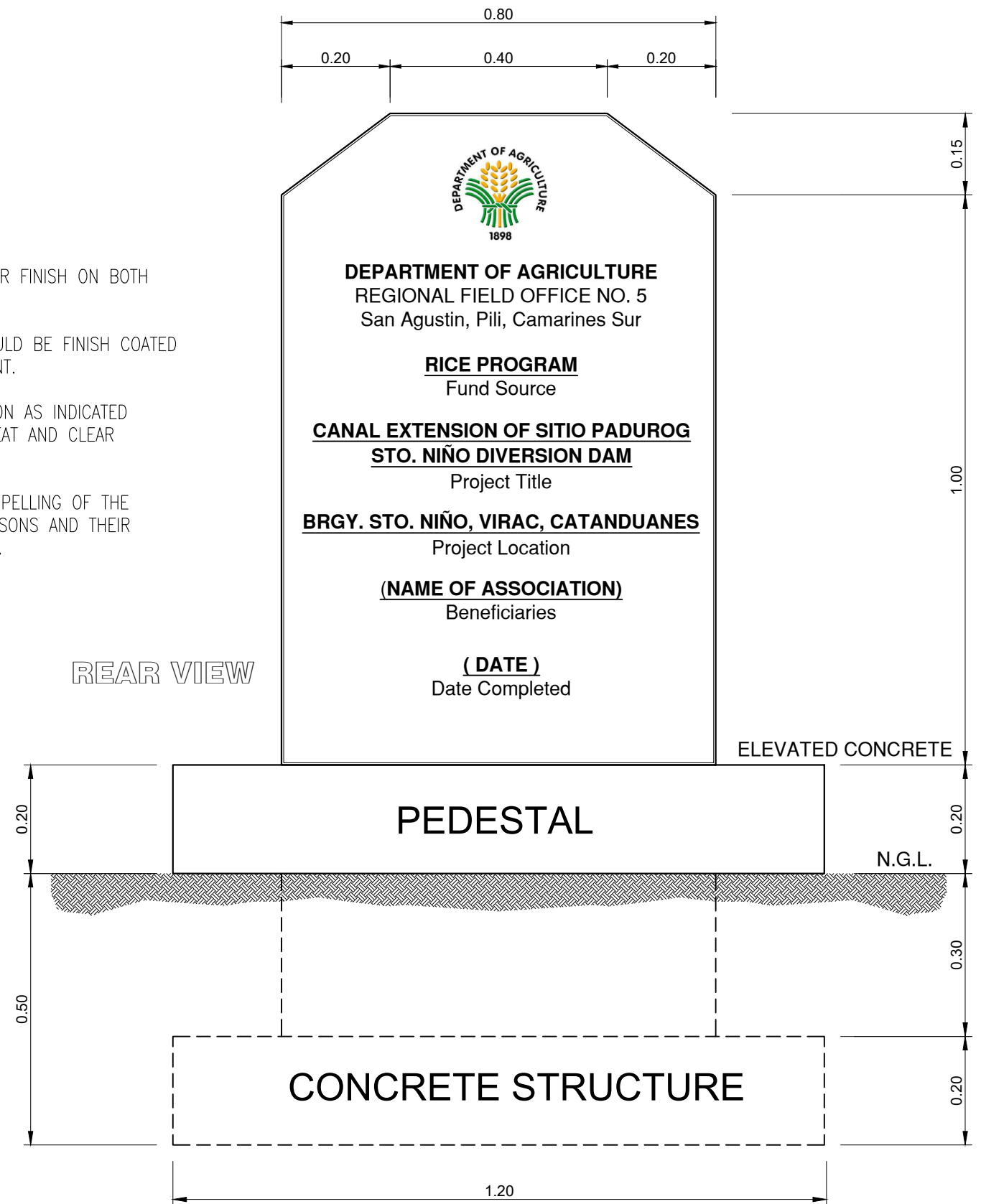
NEW CONCRETE MARKER OF RICE PROGRAM PROJECT

SCALE: 1:10m.



NOTE:

- PROVIDE CEMENT PLASTER FINISH ON BOTH FACES.
- CONCRETE MARKER SHOULD BE FINISH COATED WITH WHITE ENAMEL PAINT.
- ALL PROJECT INFORMATION AS INDICATED SHOULD BE WRITE IN NEAT AND CLEAR MANNER.
- BE SPECIFIC WITH THE SPELLING OF THE INDICATED NAME OF PERSONS AND THEIR RESPECTIVE DESIGNATION.



 REPUBLIC OF THE PHILIPPINES DEPARTMENT OF AGRICULTURE REGIONAL FIELD UNIT NO. 5 SAN AGUSTIN, PILI, CAMARINES SUR	Name of Project: CONSTRUCTION OF CANAL EXT. OF SITIO PADUROG STO. NIÑO DD		Prepared by: ENGR. ARJAY P. TAPIA <small>Technical Staff</small>	Checked by: LEONIDES L. BULALACAO Jr. <small>Surveyor, Farm Supervisor</small>	Reviewed by: ENGR. JERRY A. EBOÑA <small>EPDSS Head, Engineer III</small>	Submitted by: ENGR. NILDA T. ALBAÑO <small>Chief RAED</small>	Recommending Approval: LUZ R. MARCELINO <small>RTD. for Operation and Extension</small>	Approved by: RODEL P. TORNILLA, MABE <small>Regional Executive Director</small>	CAD by: Rrhay001
	Location: Brgy. Sto Niño, Virac, Catanduanes								
	Fund Source: 2021 RICE PROGRAM	Sheet Content: AS SHOWN							
DATE: 2020 Sheet No.: 5 / 6									

2.40



DEPARTMENT OF AGRICULTURE
Regional Field Office No. 5
San Agustin, Pili, Camarines Sur

Project: _____

Cost: _____

Location: _____

Fund Source/s: _____

Contractor: _____

Brief Description of Project: _____

Project Details: _____

Project Date:			Project Status				Remarks
Duration	Started	Target Date of Completion	Percentage of Completion	As of (Date)	Cost Incurred to Date	Date Completed	

For particulars or complaints about this project, please contact the Regional Office or Cluster which has audit jurisdiction on this project:

COA Regional Office No./Cluster: _____

Address: _____

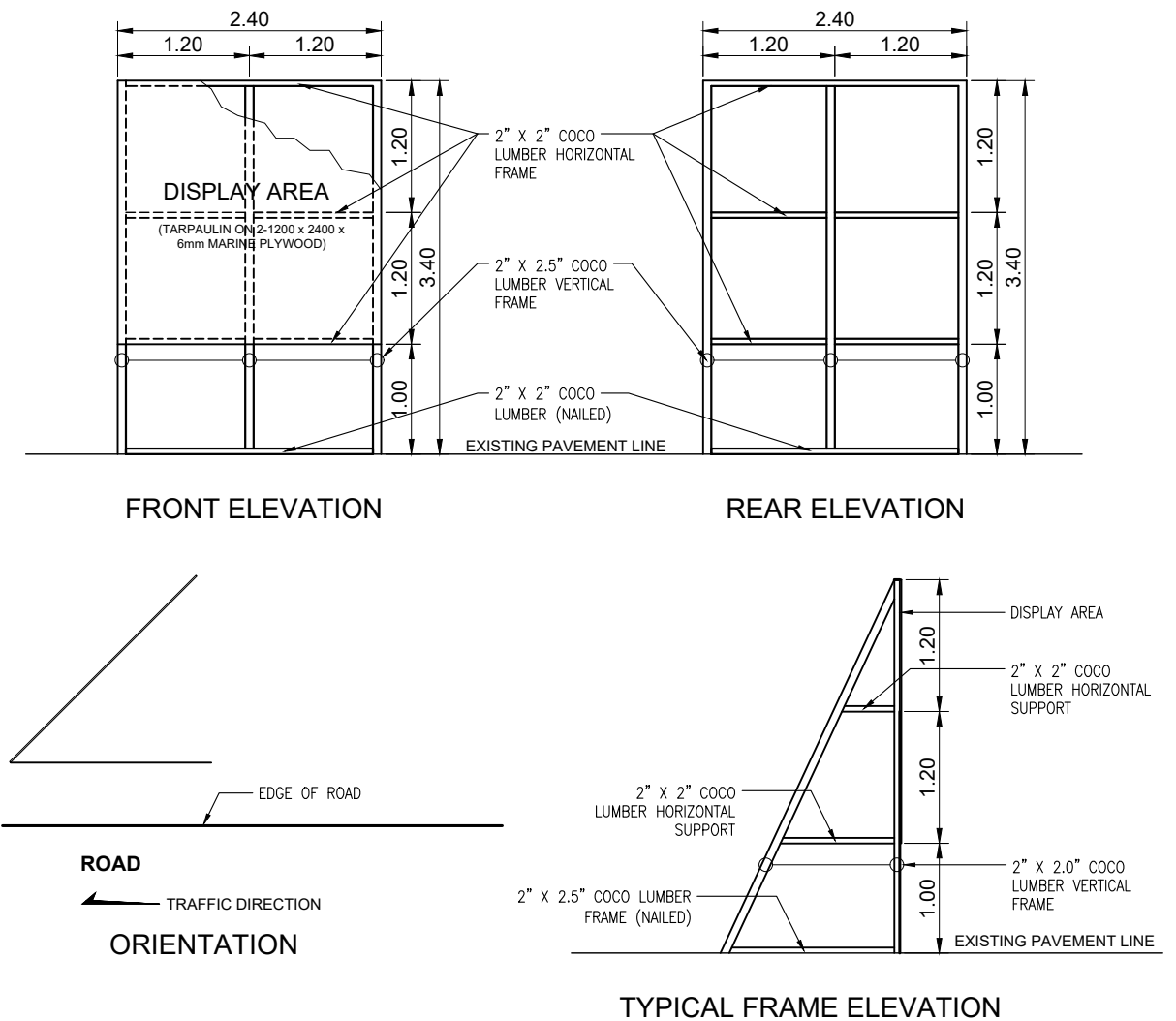
Contact No.: _____

"A food-secure Philippines with Prosperous farmers and fisherfolks"



TARPAULIN SHOULD ADHERE TO COMMISSION ON AUDIT CIRCULAR 2013-004 PREPARATION AND INSTALLATION GUIDELINES:

1. THE NEW BILLBOARD DESIGN LAYOUT AND DIMENSION (SEE ATTACHED DRAWING) SHALL BE INSTALLED ON A STANDARD BILLBOARD MEASURING 2.4m X 2.4m (8ft.X8ft.) USING 12mm (1/2 inch) THICK MARINE PLYWOOD OR TARPAULIN POSTED ON 5mm (3/16inch) MARINE PLYWOOD.
2. FOR EACH PROJECT , THE BILLBOARD SHALL BE INSTALLED IN FRONT OF THE PROJECT SITE.
3. NAME(S) AND/OR PICTURE(S) OF ANY PERSONAGES SHOULD NOT APPEAR IN THE BILLBOARD.
4. NO POLITICAL BILLBOARD SHALL BE ALLOWED TO BE INSTALLED 100 METERS BEFORE AND 100 METERS AFTER ALL DA-RF05 PROJECTS AND IN BETWEEN THE PROJECT LIMITS OR WITHIN THE ROAD RIGHT-OF-WAY.
5. DEPARTMENT OF AGRICULTURE CONTRACTORS SHALL NOT BE ALLOWED TO PLACE NAMES OF POLITICIANS ON THEIR EQUIPMENT OR CARRY POLITICAL BILLBOARD ON THEIR EQUIPMENT.



PROJECT BILLBOARD DETAIL
NOT TO SCALE

<p>REPUBLIC OF THE PHILIPPINES DEPARTMENT OF AGRICULTURE REGIONAL FIELD UNIT NO. 5 SAN AGUSTIN, PILI, CAMARINES SUR</p>	Name of Project:	Prepared by:	Checked by:	Reviewed by:	Submitted by:	Recommending Approval:	Approved by:	CAD by:		
	CONSTRUCTION OF CANAL EXT. OF SITIO PADUROG STO. NIÑO DD	ENGR. ARJAY P. TAPIA Technical Staff	LEONIDES L. BULALACAO Jr. Surveyor, Farm Supervisor	ENGR. JERRY A. EBOÑA EPDSS Head, Engineer III	ENGR. NILDA T. ALBAÑO Chief RAED	LUZ R. MARCELINO RTD. for Operation and Extension	RODEL P. TORNILLA, MABE Regional Executive Director	Rphay001		
	Location:	Brgy. Sto Niño, Virac, Catanduanes							DATE:	
	Fund Source:	Sheet Content:	2021 RICE PROGRAM AS SHOWN							2020
									Sheet No.:	
								6/6		