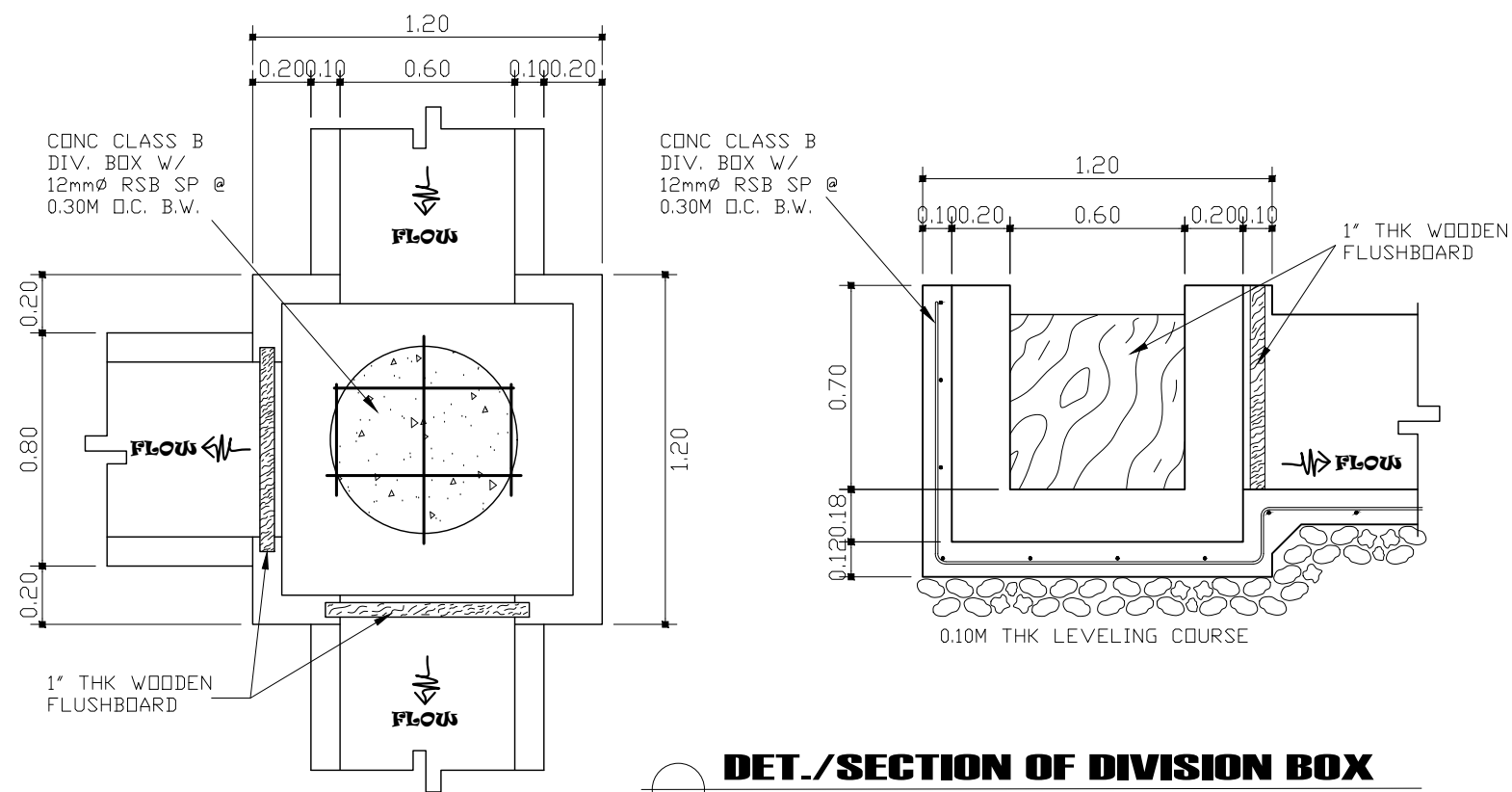
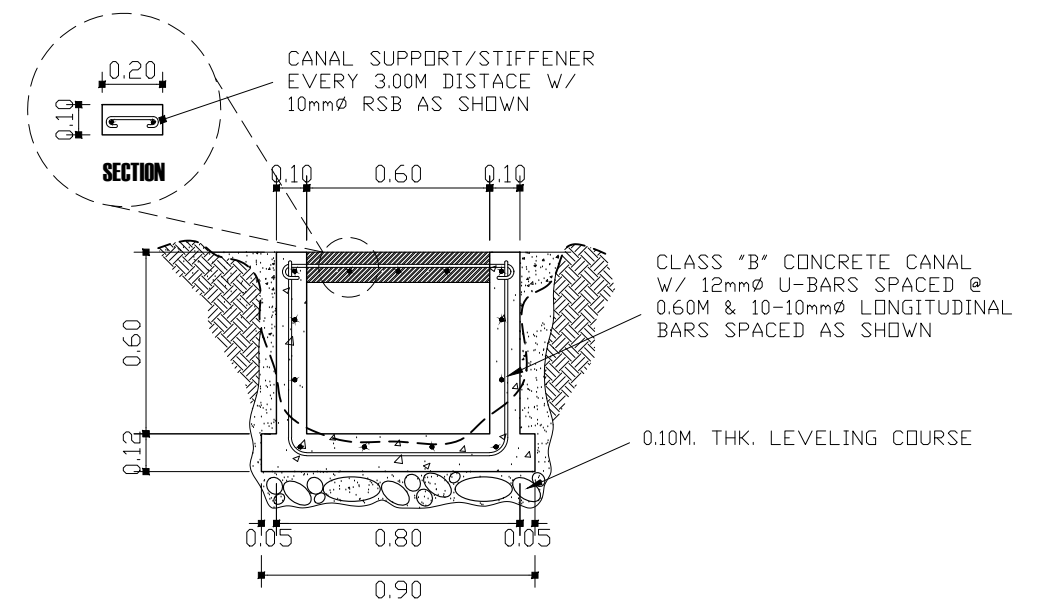


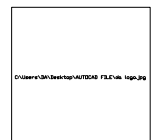
DET./SECTION OF TRACTOR CROSSING
SCALE 1: 25 MTS



DET./SECTION OF DIVISION BOX
SCALE 1: 25 MTS



DET./SECTION OF CONC. CANAL
SCALE 1: 25 MTS



REPUBLIC OF THE PHILIPPINES
DEPARTMENT OF AGRICULTURE
REGIONAL FIELD UNIT NO. 5
SAN AGUSTIN, PILI, CAMARINES SUR

Prepared by:

BERNARDO G. VALENZUELA
PDO II-BSWM

BEL JOSEPH D. BONITO
CAD-Input

Reviewed by:

JERRY A. EBOÑA
EPDSS Head, Engr. III

Submitted by:

NILDA T. ALBAÑO
Chief, RAED

Recommending Approval:

LUZ R. MARCELINO
RTD. for Operation and Extensions

Approved by:

RODEL P. TORNILLA, MaBE
Regional Executive Director

Name of Project:

Canal Improvement/Extension of Manangle D.D.

Location:

Brgy. Manangle, Sipocot, Camarines Sur

Sheet Contents:

AS SHOWN

CAD by:

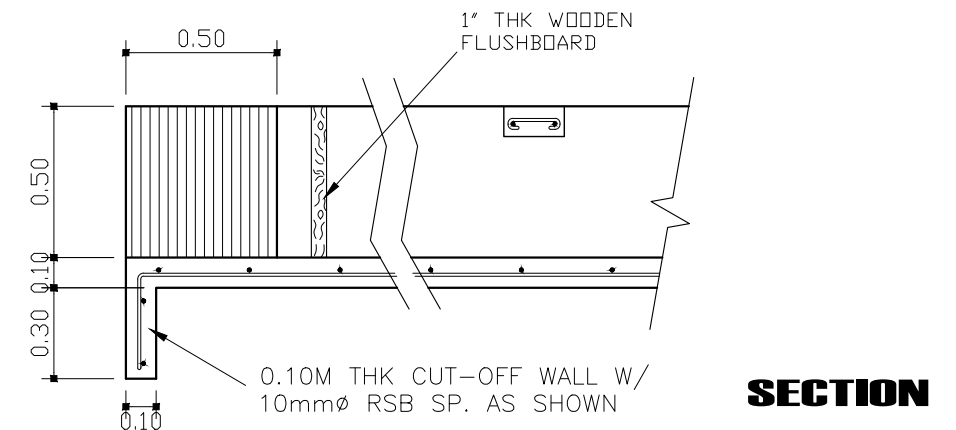
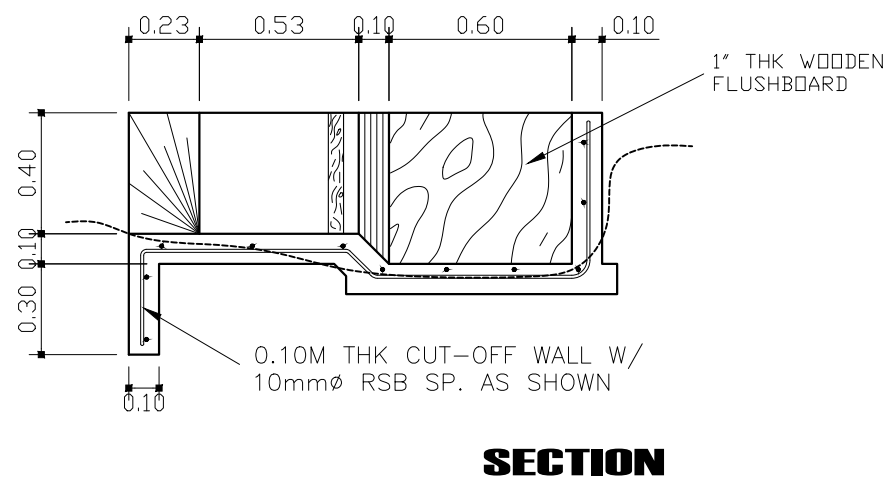
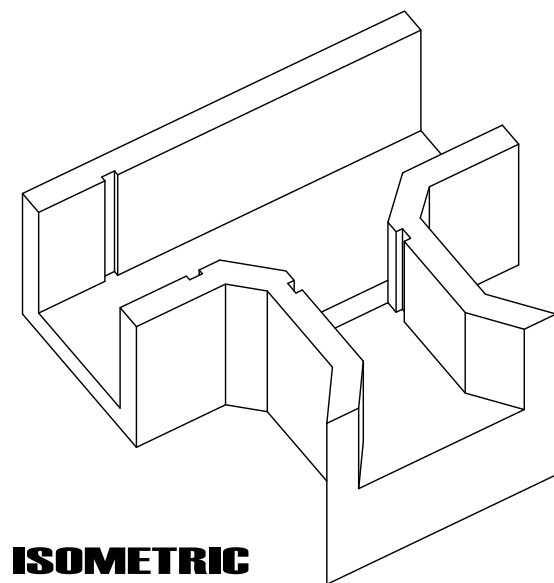
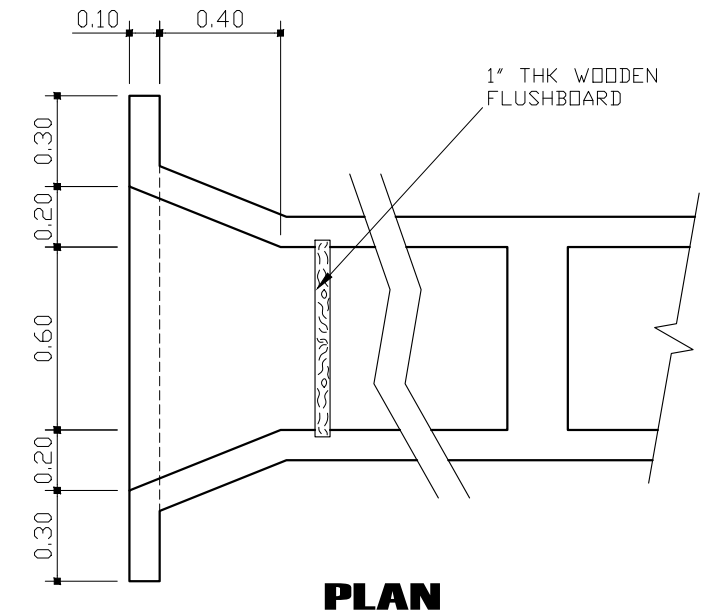
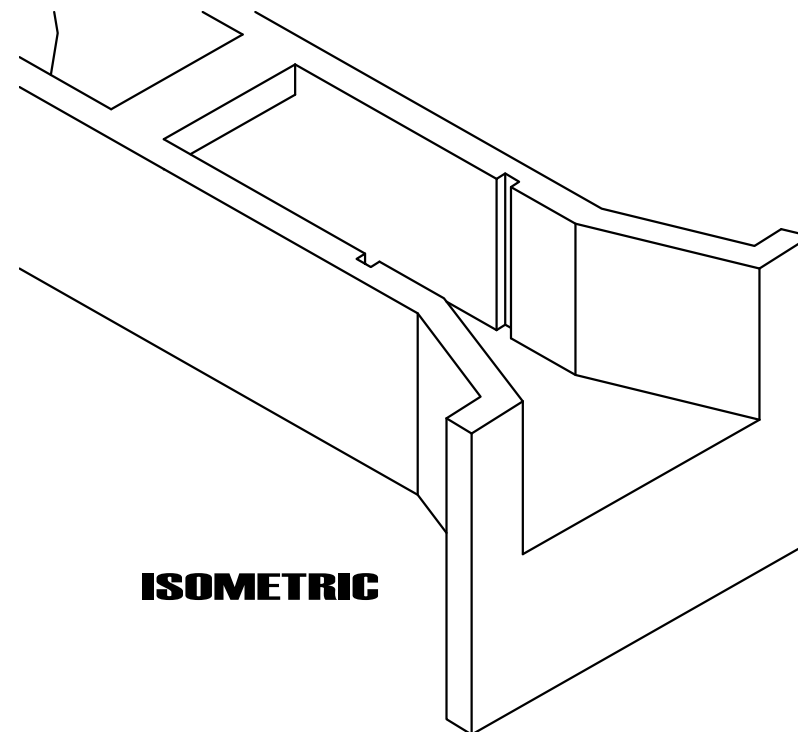
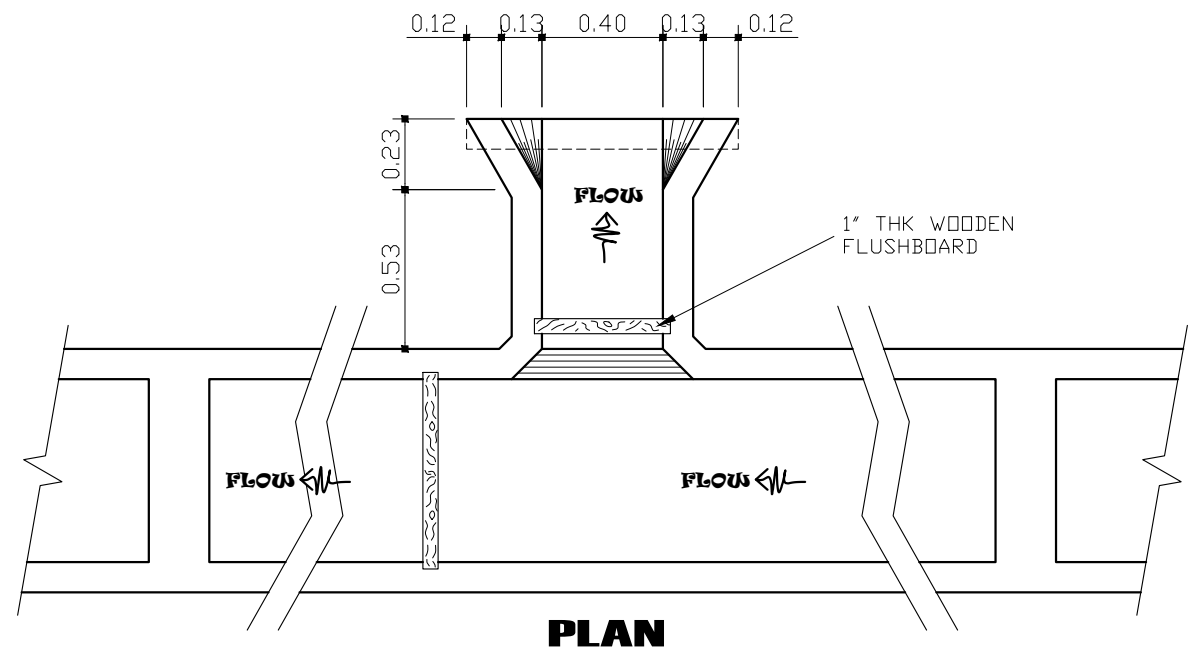
Bhjay143

DATE:

10/22/18

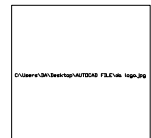
Sheet No.:

2 / 3



DET./SECTION OF TURN-OUT STRUCTURE
SCALE 1: 25 MTS

DET./SECTION OF END CHECK
SCALE 1: 25 MTS



REPUBLIC OF THE PHILIPPINES
DEPARTMENT OF AGRICULTURE
REGIONAL FIELD UNIT NO.5
SAN AGUSTIN, PILI, CAMARINES SUR

Prepared by:

BERNARDO G. VALENZUELA
PDO II-BSWM

BEL JOSEPH D. BONITO
CAD-Input

Reviewed by:

JERRY A. EBOÑA
EPDSS Head, Engr. III

Submitted by:

NILDA T. ALBAÑO
Chief, RAED

Recommending Approval:

LUZ R. MARCELINO
RTD. for Operation and Extensions

Approved by:

RODEL P. TORNILLA, MaBE
Regional Executive Director

Name of Project:

Canal Improvement/Extension of Manangle D.D.

Location:

Brgy. Manangle, Sipocot, Camarines Sur

Sheet Contents:

AS SHOWN

CAD by:

Bhjay143

DATE:

10/22/18

Sheet No.:

3 / 3

REPUBLIC OF THE PHILIPPINES
DEPARTMENT OF AGRICULTURE
REGIONAL FIELD UNIT NO.5
SAN AGUSTIN, PILI, CAMARINES SUR.

PROJECT TITLE:

**CANAL IMPROVEMENT/EXTENSION
OF MANANGLE DIVERSION DAM**

LOCATION: BRGY. MANANGLE, SIPOCOT, CAMARINES SUR

PREPARED BY:

RAED OFFICE

