



Republic of the Philippines
Department of Agriculture
Regional Office No. 5
San Agustin, Pili, Camarines Sur

Name of Project : REPAIR / IMPROVEMENT OF DALNAC SWIP
Location : Brgy. Dalnac, Paracale, Camarines Norte
Amount : PhP 2,000,000.00
Subject : BILL OF QUANTITIES AND COS TPROPOSAL
Fund Source : Quick Response Fund 2021

Item No.	Description	Unit	Quantity	Unit Cost	Total Amount (P)
PART I OTHER GENERAL REQUIREMENTS					
1.1	Project Billboard/Signboard	e.a.	1.00		
1.2	Occupational Safety and Health Program	L.S.	1.00		
1.3	Mobilization / Demobilization	L.S.	1.00		
1.4	Construction of Camps, Other Temporary Facilities	L.S.	1.00		
<i>Sub total</i>					
PART II REPAIR OF IRRIGATION CANAL (L=608.0 M)					
Part A EARTH WORKS					
102(2)	Common Soil Excavation	cu.m.	145.00		
100(2)	Structural BackFill/Backfilling	cu.m.	25.00		
Part B REINFORCE CONCRETE WORKS					
405(3)	Concrete Class "B" w/ Forms (Wall and Stiffener)	cu.m.	62.83		
405(4)	Concrete Class "B" w/out Forms (Flooring)	cu.m.	48.65		
404	Reinforcing Steel Bar	kgs.	5,100.00		
<i>Sub total</i>					
PART III TURN-OUT STRUCTURE (3-UNIT)					
Part A EARTH WORKS					
102(2)	Common Soil Excavation	cu.m.	1.50		
100(2)	Structural BackFill/Backfilling	cu.m.	1.00		
Part B REINFORCE CONCRETE WORKS					
405(3)	Concrete Class "B" w/ Forms (Wall)	cu.m.	0.75		
405(4)	Concrete Class "B" w/out Forms (Flooring and Cut-off Wall)	cu.m.	0.50		
404	Reinforcing Steel Bar	kgs.	60.00		
<i>Sub total</i>					
PART IV FLUME / ELEVATED CANAL WORKS (L=65.0 M)					
Part A EARTH WORKS					
102(2)	Common Soil Excavation	cu.m.	25.00		
100(2)	Structural BackFill/Backfilling	cu.m.	15.00		
Part B REINFORCE CONCRETE WORKS					
405(1)	Concrete Class "A" w/ Forms (Wall, Column and Beams)	cu.m.	16.00		
405(2)	Concrete Class "A" w/out Forms (Footings)	cu.m.	5.00		
404	Reinforcing Steel Bar	kgs.	1,346.00		
<i>Sub total</i>					
TOTAL COST					
SAY ~					

NOTE All Taxes, contractors profit and hauling costs and delivery are included in unit cost per item

(NAME AND SIGNATURE OF BIDDER)

REPUBLIC OF THE PHILIPPINES
DEPARTMENT OF AGRICULTURE
REGIONAL FIELD UNIT NO.5
SAN AGUSTIN, PILI, CAMARINES SUR.

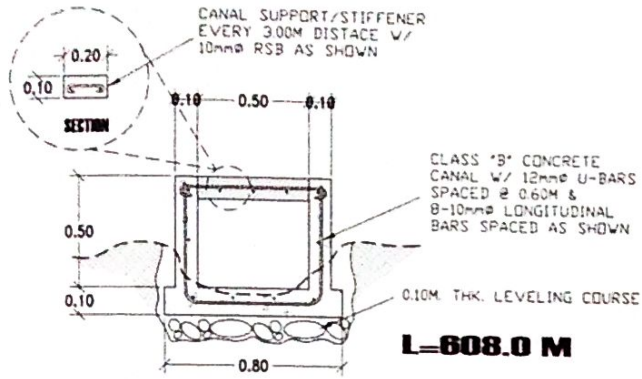
PROJECT TITLE

P R O P O S E D :
**REPAIR AND IMPROVEMENT
OF DALNAC SWIP**

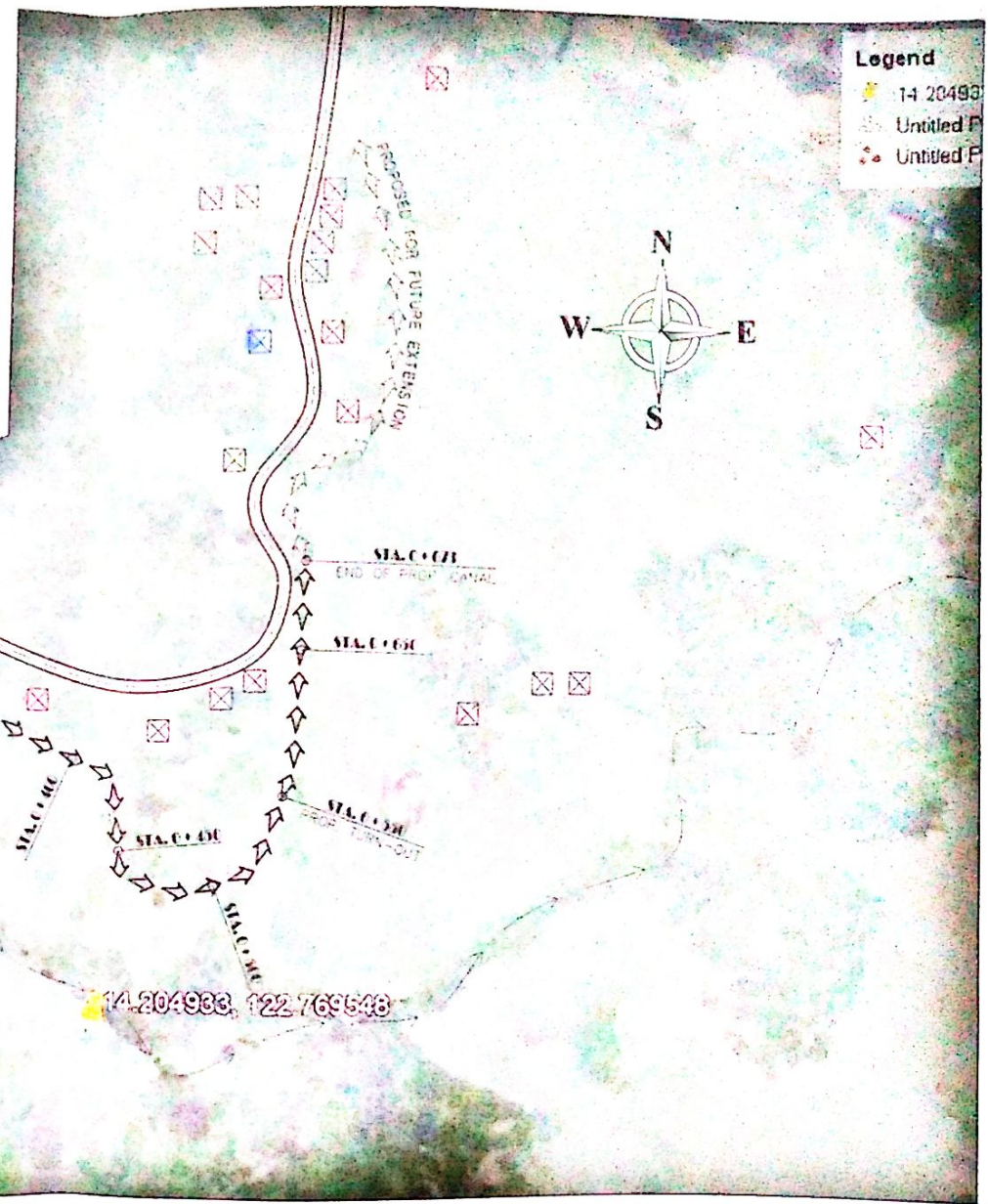
LOCATION: BREGY. DALNAC, PARACALE, CAMARINES NORTE

PREPARED BY:
RAED OFFICE





SECTION DETAIL OF CONG. CANAL
SCALE 1: 25 MTS.

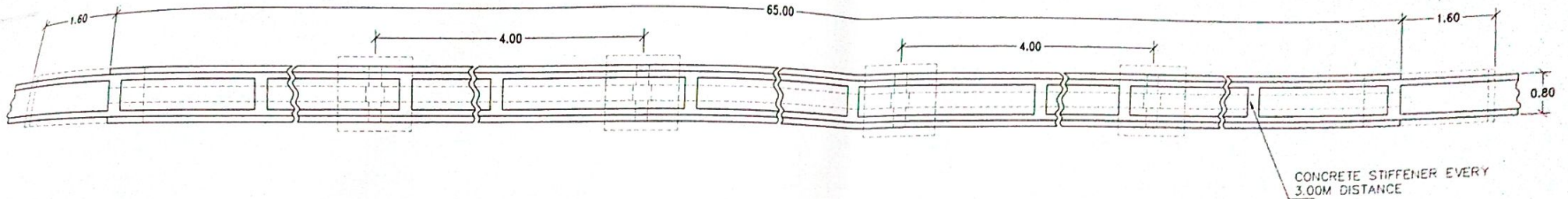


Google Earth

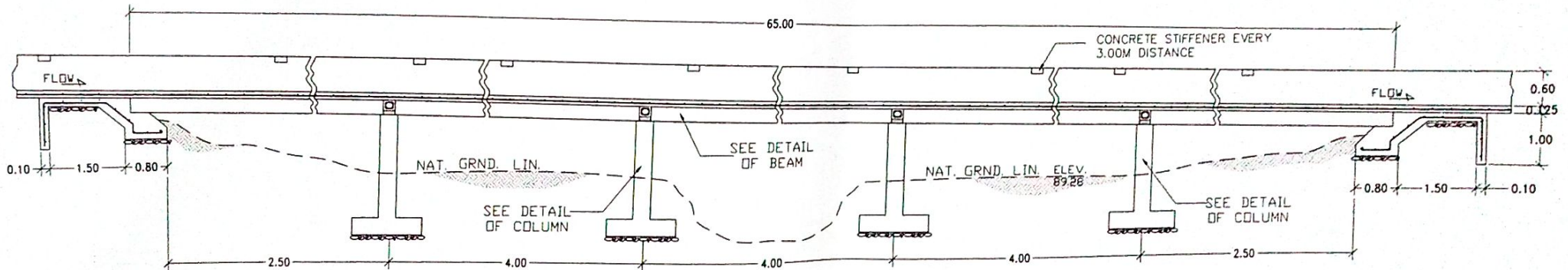
<p>REPUBLIC OF THE PHILIPPINES DEPARTMENT OF AGRICULTURE REGIONAL FIELD UNIT NO. 5 SAN AGUSTIN, PILI, CAMARINES SUR</p>	Prepared by:	Checked by:	Reviewed by:	Submitted by:	Recommending Approve:	Approved by:	Name of Project:	CDS by:
	BEL JOSEPH D. BONITO Engineer I / CAD-1484	LEONIDES L. BULALINGAO, JR. Farm Supervisor	JERRY A. EBOÑA EPSS (Tech. Engr II)	NILAN ALBAÑO Chief A&E	LUZ M. MARCEANO ATD for Operation and Extension	RODEL P. TORNILLO, MABE Regional Economist	Repair/Improvement of Dainac SWIP	14-204933
							Location:	DATE:
							Brgy. Dainac, Paracale, Camarines Norte	09-2021
							Sheet Contents:	Sheet No.:
						AS SHOWN		



Republic of the Philippines
 DEPARTMENT OF AGRICULTURE
 REGIONAL FIELD UNIT NO. 5
 San Agustin, Pili, Camarines Sur



GENERAL PLAN OF FLUME
 NOT TO SCALE



SECTION/PROFILE ALONG CENTERLINE OF FLUME
 NOT TO SCALE



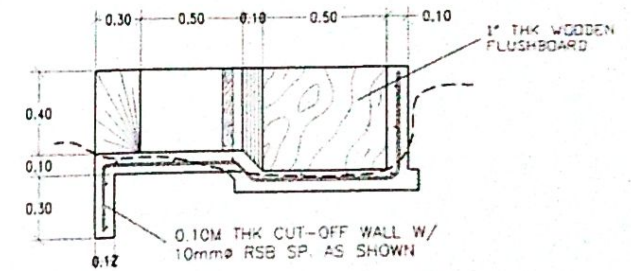
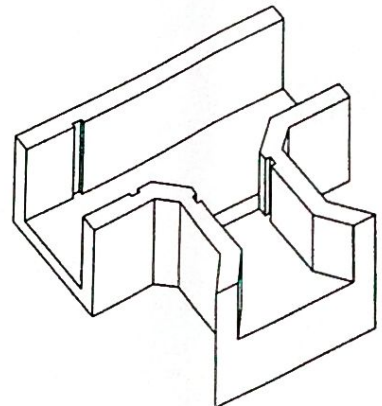
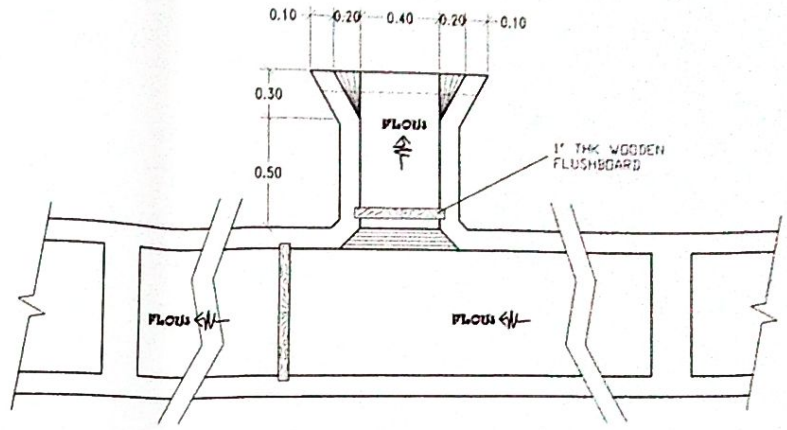
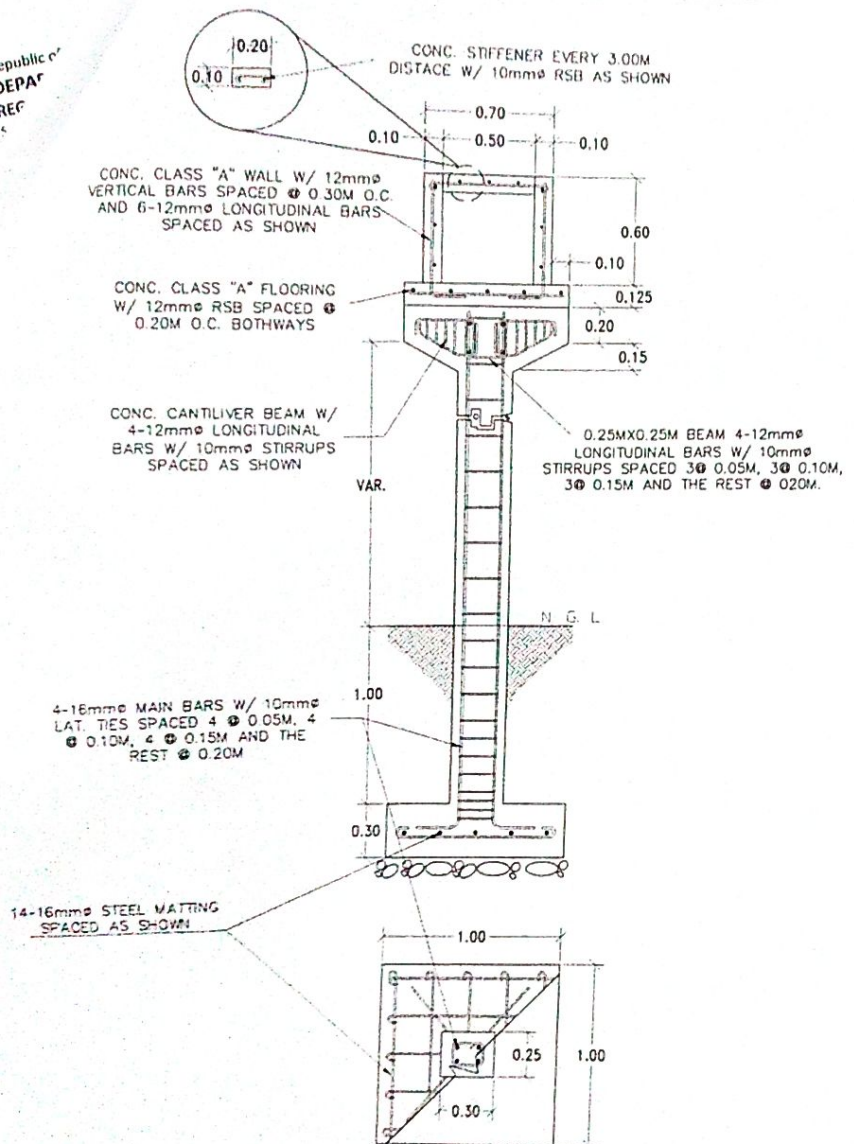
REPUBLIC OF THE PHILIPPINES
 DEPARTMENT OF AGRICULTURE
 REGIONAL FIELD UNIT NO. 5
 SAN AGUSTIN, PILI, CAMARINES SUR

Prepared by: <i>[Signature]</i> BEL JOSEPH D. BONITO Engineer I / CADD Operator	Checked by: <i>[Signature]</i> LEONIDES L. BULANAGAO, JR. Farm Supervisor	Reviewed by: <i>[Signature]</i> JERRY A. EBOÑA EPDSS (HML) (Egr. III)	Submitted by: <i>[Signature]</i> NIEVA ALBAÑO CADD RAED	Recommending Approval: <i>[Signature]</i> LUZ R. MARCELINO RTD for Operation and Maintenance	Approved by: <i>[Signature]</i> RODEL P. ORNALLA MARE Regional Engineer
--	--	--	--	---	--

Name of Project: Repair/Improvement of Dainac SWIP	CADD by: Bhay143
Location: Brgy. Dainac, Paracale, Camarines Norte	DATE: 03-2021
Sheet no.:	Sheet no.:
Sheet Contents: AS SHOWN	<input type="checkbox"/>



Republic of the Philippines
DEPARTMENT OF AGRICULTURE
REG



SECTION/DETAIL OF TURN-OUT

SCALE 1: 25 MTS.

SECTION/DETAIL OF COLUMN & FOOTING (FLUME)

SCALE 1: 25 MTS.



REPUBLIC OF THE PHILIPPINES
DEPARTMENT OF AGRICULTURE
REGIONAL FIELD UNIT NO. 5
SAN AGUSTIN, PULI, CAMARINES SUR

Prepared by <i>[Signature]</i> BEL JOSEPH D. BOSTO Project Engineer	Checked by <i>[Signature]</i> LEONIDES S. BULALAO, JR. Team Supervisor	Reviewed by <i>[Signature]</i> JENICA A. EDOÑA Project Engineer III	Submitted by <i>[Signature]</i> NIELA M. BRANG Engineer	Supervising Approval <i>[Signature]</i> LUZ M. MARCELO Chief of Agriculture and Fisheries	Approved by <i>[Signature]</i> ROGELIO B. BERNAL, MAJES Team Leader
--	---	--	--	--	--

Name of Project Repair/Improvement of Dainac SWP		Drawn by
Location Nagy, Dainac, Paracale, Camarines Norte		Scale
Name of Firm AS SHOWN		Checked by
		Approved by