

OF PROJECT:
 LOCATION:
 AMOUNT:
 SUBJECT:

REHAB/ IMPROVEMENT OF NOGPO DD
 BRGY. NOGPO, LIBON, ALBAY

PH
 BILL OF QUANTITIES AND COST PROPOSAL

ITEM.	DESCRIPTION	UNIT	QUANTITY	UNIT COST	AMOUNT
I	GENERAL REQUIRMENTS				
I.1	MOBILIZATION/DEMobilIZATION & TEMPORARY FACILITIES	L.S.	1.0		
I.2	PROVISION FOR CONSTRUCTION SAFETY & HEALTH	l.s.	1.0		
I.3	PROJECT BILLBOARD	l.s.	1.0		
II	CIVIL WORKS				
II.1	IRRIGATION CANAL (0.5x0.5)	l.m.	1002		
II.1.1	Common Excavation	cu.m	250.5		
II.1.2	Structural Backfill/backfilling	cu.m	125.3		
II.1.3	Aggregate Sub-base Course	cu.m	80.2		
II.1.4	Reinforcing Steel Bars	Kg	8016.6		
II.1.5	Concrete Class "B" With Forms	cu.m	103.5		
II.1.6	Concrete Class "B" Without Forms	cu.m	80.2		
II.2	TRACTOR CROSSING	set	2		
II.3.1	Common Excavation	cu.m	0.1		
II.3.2	Structural Backfill/backfilling	cu.m	0.0		
II.3.3	Aggregate Sub-base Course	cu.m	0.1		
II.3.4	Reinforcing Steel Bars	Kg	20.2		
II.3.5	Concrete Class "B" With Forms	cu.m	1.7		
II.3	DIVISION BOX	set	3		
II.4.1	Common Excavation	cu.m	0.1		
II.4.2	Structural Backfill/backfilling	cu.m	0.1		
II.4.3	Aggregate Sub-base Course	cu.m	0.1		
II.4.4	Reinforcing Steel Bars	Kg	30.2		
II.4.5	Concrete Class "B" With Forms	cu.m	2.5		
III	SUB-TOTAL				
	TOTAL PROJECT COST				

 NAME & SIGNATURE OF BIDDER



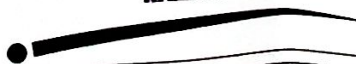
REPUBLIC OF THE PHILIPPINES
DEPARTMENT OF AGRICULTURE
REGIONAL FIELD UNIT NO.5
SAN AGUSTIN, PILI, CAMARINES SUR.

PROJECT TITLE

P R O P O S E D :
**REHAB/ IMPROVEMENT OF
NOGPO DD**

LOCATION: BRGY. NOGPO, LIBON, ALBAY

PREPARED BY:
RAED OFFICE



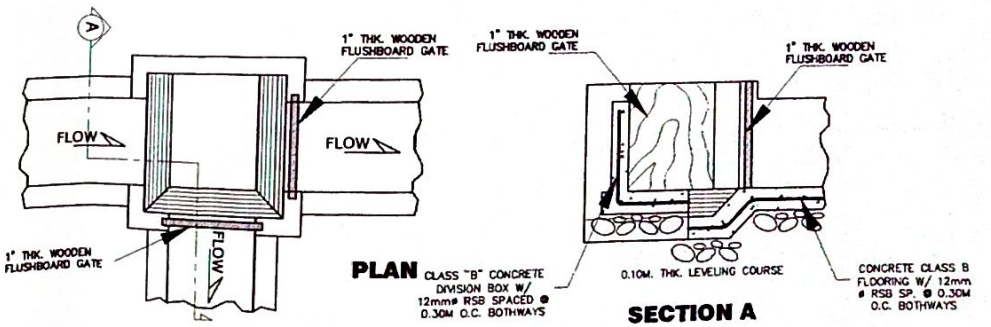
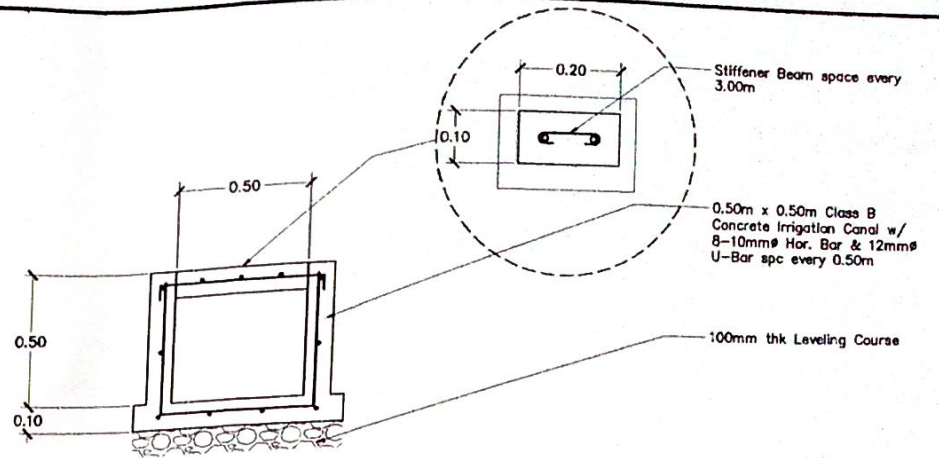


SITE DEVELOPMENT PLAN

SCALE 1:5000

DETAIL OF CANAL (L=1002)

SCALE 1:20



DETAIL OF DIVISION BOX

SCALE 1:30

<p>Department of Agriculture REGIONAL FIELD OFFICE No. 5 SAN AGUSTIN PILL, CAMARINES SUR REGIONAL AGRICULTURAL ENGINEERING DIVISION</p>	<p>Title:</p> <p>REHAB/IMPROVEMENT OF MOGPO DD</p> <p>Nogpo, Libon, Albay</p>	<p>Prepared by:</p> <p><i>JAD R. ATOLE</i></p> <p>JAD R. ATOLE Technical Staff</p>	<p>Checked by:</p> <p><i>ARTHUR B. MIRA</i></p> <p>ARTHUR B. MIRA Engineer II</p>	<p>Reviewed by:</p> <p><i>JERRY A. EBOÑA</i></p> <p>JERRY A. EBOÑA Head, EPOSS</p>	<p>Noted by:</p> <p><i>NILDA T. ALBARO</i></p> <p>NILDA T. ALBARO Chief, RAED</p>	<p>Recommending Approval:</p> <p><i>LUZ M. MARCELINO</i></p> <p>LUZ M. MARCELINO RTD for Operation and Extension</p>	<p>Approved:</p> <p><i>RODEL P. TORNILLA, MABE</i></p> <p>RODEL P. TORNILLA, MABE Regional Executive Director</p>	<p>Page No.</p> <p>1 / 2</p>
	<p>Sheet Content:</p> <p>OS 8'x10m</p>							



STANDARD PROJECT BILLBOARD

TARPAULINE SHOULD ADHERE TO COMMISSION ON AUDIT CIRCULAR 2013-004 PREPARATION AND INSTALLATION GUIDELINES:

1. THE NEW BILLBOARD DESIGN LAYOUT AND DIMENSION (SEE ATTACHED DRAWING) SHALL BE INSTALLED ON A STANDARD BILLBOARD MEASURING 2400mm X 2400mm (8ft X 8ft.) USING 12mm (1/2 inch) THICK MARINE PLYWOOD OR TARPAULIN POSTED ON 5mm (3/16 inch) MARINE PLYWOOD, THE PROJECT SITE.
2. FOR EACH PROJECT, THE BILLBOARD SHALL BE INSTALLED IN FRONT OF THE PROJECT SITE.
3. NAME(S) AND/OR PICTURE(S) OF ANY PERSONAGES SHOULD NOT APPEAR IN THE BILLBOARD.
4. NO POLITICAL BILLBOARD SHALL BE ALLOWED TO BE INSTALLED 100 METERS BEFORE AND 100 METERS AFTER ALL DPWH PROJECTS AND IN BETWEEN THE PROJECT LIMITS OR WITHIN THE ROAD RIGHT-OF-WAY.
5. DEPARTMENT OF AGRICULTURE CONTRACTORS SHALL NOT BE ALLOWED TO PLACE NAMES OF POLITICIANS ON THEIR EQUIPMENT OR CARRY POLITICAL BILLBOARD ON THEIR EQUIPMENT.



DEPARTMENT OF AGRICULTURE
Regional Field Office No. 5
San Agustin, Pili, Camarines Sur

Project: _____

Cost: _____

Location: _____

Fund Source/s: _____

Contractor: _____

Brief Description of Project: _____

Project Details: _____

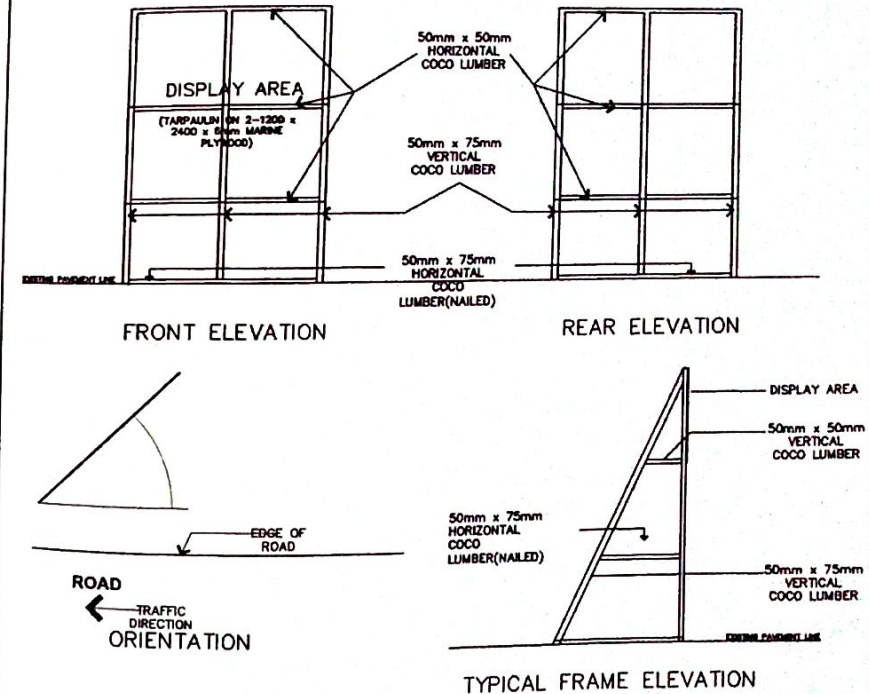
35.00
7.60
4.00
7.60
4.00
7.60
34.80
12.00
242.00
7.60
4.00
5.82
15.00
10.00
10.00
10.00

Project Data:		Project Status					Remarks
Duration	Started	Target Date of Completion	Percentage of Completion	As of (Date)	Cost Incurred to Date	Date Completed	

For particulars or complains about this project, please contact the Regional Office or Cluster which has audit jurisdiction on this project.

COA Regional Office No./Cluster: _____
 Address: _____
 Contact No.: _____

"A food-secure Philippines with Prosperous farmers and fisherfolks"



Department of Agriculture
REGIONAL FIELD OFFICE No. 5
SAN AGUSTIN PILI, CAMARINES SUR
REGIONAL AGRICULTURAL ENGINEERING DIVISION

Title: **REHAB/IMPROVEMENT OF WOGPO DD**
 Location: **Hogpo, Libon, Albay**
 Sheet Content: **as shown**

Prepared by: **JAD R. ATOLE**
 Technical Staff

Checked by: **ARTHUR B. MIRA**
 Engineer II

Reviewed by: **JERRY A. EBONA**
 Head, EPRS

Noted by: **NILDA TRAVEÑO**
 Chief, TRAD

Recommending Approval: **LUZ R. MARCELINO**
 RFD for Operation and Extension

Approved: **RODEL P. TORNILLA, MaBE**
 Regional Executive Director

Page No. **2 / 2**