

NAME OF PROJECT: **REHABILITATION OF UNION DIVERSION DAM**
 LOCATION: Brgy. Union, Gubat, Sorsogon
 AMOUNT: **Php1,000,000.00**
 SUBJECT: **BILL OF QUANTITIES AND COST PROPOSAL**

ITFM NO.	DESCRIPTION	UNIT	QUANTITY	UNIT COST (Ps)	AMOUNT (Ps)
1.0	Construction of Camp, Temporary Facilities & Movement of Equipment	L.S.	1.0		
3.0	Occupational Safety And Health	L.S.	1.0		
4.0	Rehab of Dam Structure				
4.1	Common Excavation	Cu.m.	60.00		
4.2	Structural Backfill/backfilling	Cu.m.	40.00		
4.3	Concrete Class "A" With Forms	Cu.m.	4.00		
4.4	Concrete Class "A" Without Forms	Cu.m.	4.00		
4.5	Reinforcing Steel Bars	Kgs	420.00		
4.6	AggregateSub Base Course	Cu.m.	4.00		
4.7	Rubble Masonry	Cu.m.	32.00		
Sub-Total					
5.0	Canal Works (175 L.M.)				
5.1	Common Excavation	Cu.m.	105.00		
5.2	Structural Backfill/backfilling	Cu.m.	89.00		
5.3	Concrete Class "B" With Forms	Cu.m.	15.00		
5.4	Concrete Class "B" Without Forms	Cu.m.	17.00		
5.5	Reinforcing Steel Bars	Kgs	1,200.00		
5.7	AggregateSub Base Course	Cu.m.	12.00		
Sub-Total					
11.0	Billboard/ Marker	LOT	1.00		
Sub-Total					
TOTAL					
TOTAL PROJECT COST					1,000,000.00

Note: All Taxes, contractors profit and hauling costs are included in unit cost per item

Prepared By:

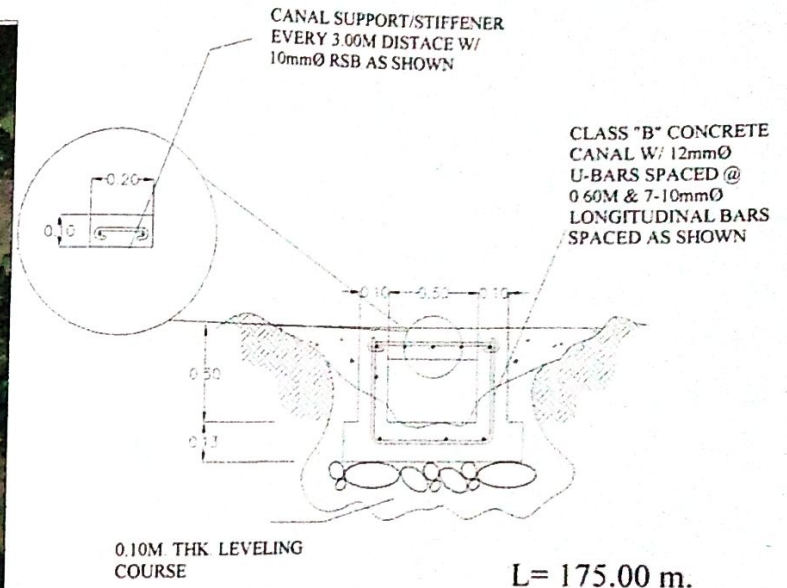
 Name of Bidder

REPUBLIC OF THE PHILIPPINES
DEPARTMENT OF AGRICULTURE
REGIONAL FIELD UNIT NO.5
SAN AGUSTIN, PILI, CAMARINES SUR.

PROJECT TITLE:
REHABILITATION OF
UNION DIVERSION DAM
LOCATION: BRGY. UNION, GUBAT, SORSOGON

PREPARED BY:
RAED OFFICE

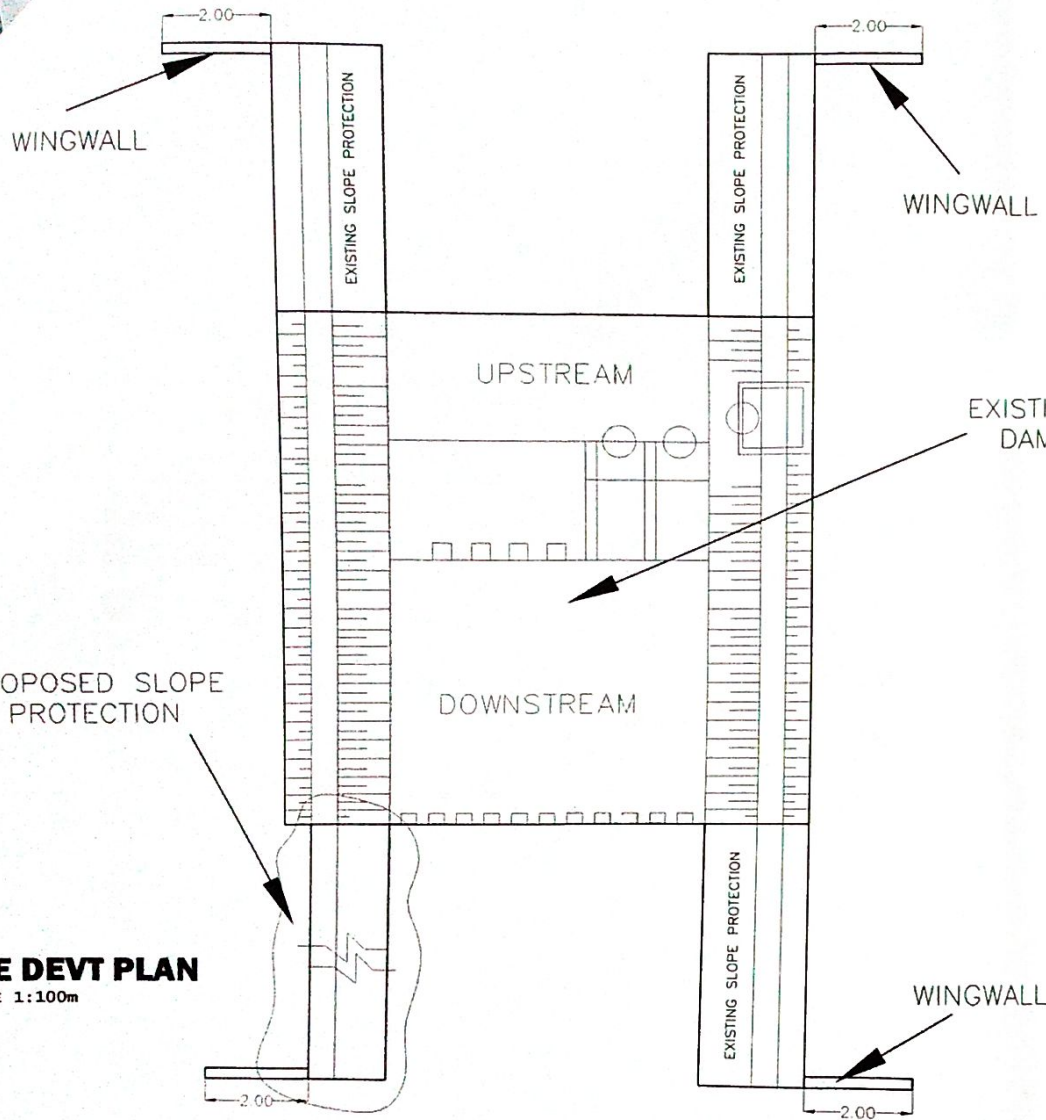




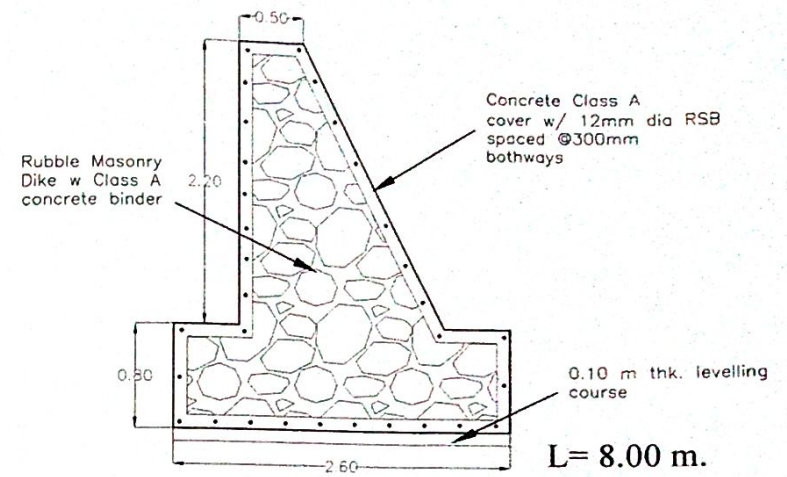
TYPICAL DET. OF CANAL
SCALE 1:40m

FARM PLAN

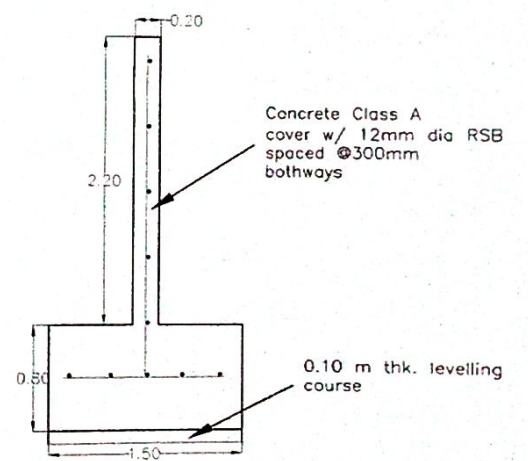
	Prepared by	Checked by	Reviewed by	Submitted by	Recommending Approver	Approved by	Name of Project	DATE	
	JEFFREY M. REALARDO	LEONIDES L. BULMACAO	JERRY A. EBOZA	NILDY ALBAÑO	LUZ R. MARCELINO	RODOLFO P. MONTENEGRO	Rehabilitation of Union Diversion Dam	AS SHOWN	
							Location	Scale	Sheet No.
							Scale	AS SHOWN	



SITE DEVT PLAN
SCALE 1:100m



SLOPE PROTECION DET.
SCALE 1:40m



WINGWALL DET. (4 UNITS)
SCALE 1:40m

<p>REPUBLIC OF THE PHILIPPINES DEPARTMENT OF AGRICULTURE REGIONAL FIELD UNIT NO. 5 SAN AGUSTIN, PILI, CAMARINES SUR</p>	Prepared by:	Checked by:	Reviewed by:	Submitted by:	Recommending Approval:	Approved by:	Name of Project:	CAU by:
	<i>[Signature]</i> JEFFERSA REGALARIO CAD-Design	<i>[Signature]</i> LEONIDAS L. BULALACAO FIELD SUPERVISOR	<i>[Signature]</i> JERRY A. EBOÑA EPDSS III (Reg. III)	<i>[Signature]</i> NILDT ALBANO Chief/CAUP	<i>[Signature]</i> LUZ R. MARCEANO RTD. for Operation and Extension	<i>[Signature]</i> RODEL P. TORNICA, MAE Regional Extension Officer	Rehabilitation of Union Diversion Dam	with seal
							Location:	GATE:
							Regv. Union, Gubat, Sorsogon	DATE:
							Sheet Contents:	Sheet No.:
						AS SHOWN		

