

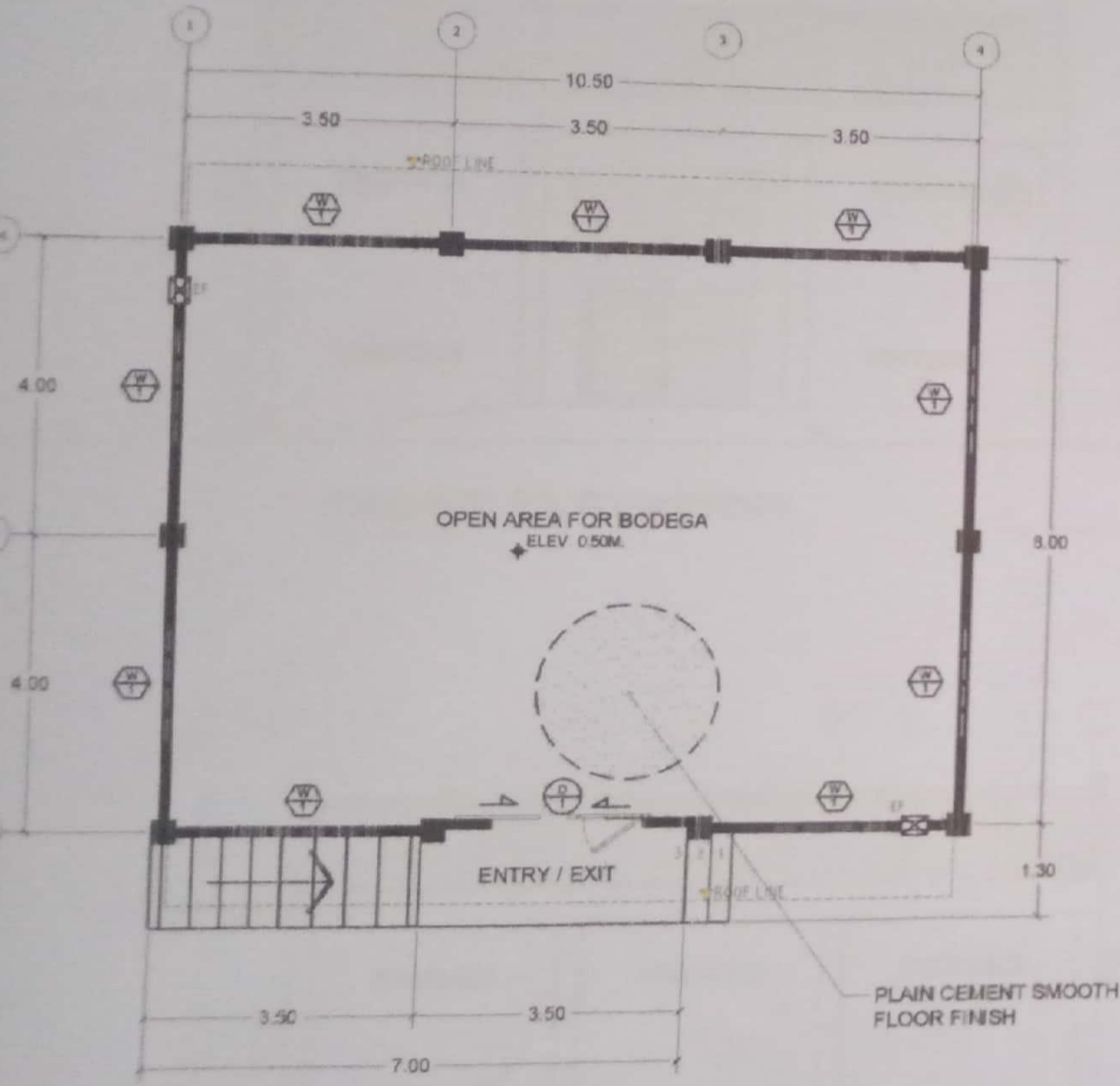


Republic of the Philippines
DEPARTMENT OF AGRICULTURE
Regional Field Unit No. 5
San Agustin, Pili, Camarines Sur

Project Title : REHAB. OF SEED STORAGE WAREHOUSE AT REGIONAL NURSERY
Location : San Agustin, Pili, Camarines Sur
Estimated Cost : 2,000,000.00
Implementation : By Contract
Subject : Bill of Materials / Cost Estimates
Fund :

Item	SUMMARY			Total Cost
I	: GENERAL REQUIREMENTS	1.00	lot	=
II	: PREPARATION WORKS	1.00	lot	=
III	: EARTHWORKS	1.00	lot	=
IV	: CONCRETE WORKS	1.00	lot	=
V	: STEEL WORKS	1.00	lot	=
VI	: MASONRY WORKS	1.00	lot	=
VII	: FORMS, FORMWORKS, AND SCAFFOLDINGS	1.00	lot	=
VIII	: FABRICATION & ERECTION OF STRUCTURAL STEEL	1.00	lot	=
IX	: ELECTRICAL WORKS	1.00	lot	=
X	: PLUMBING WORKS	1.00	lot	=
XI	: FINISHING WORKS	1.00	lot	=
			EST. PROJECT COST	=

NAME AND SIGNATURE OF CONSTRUCTOR

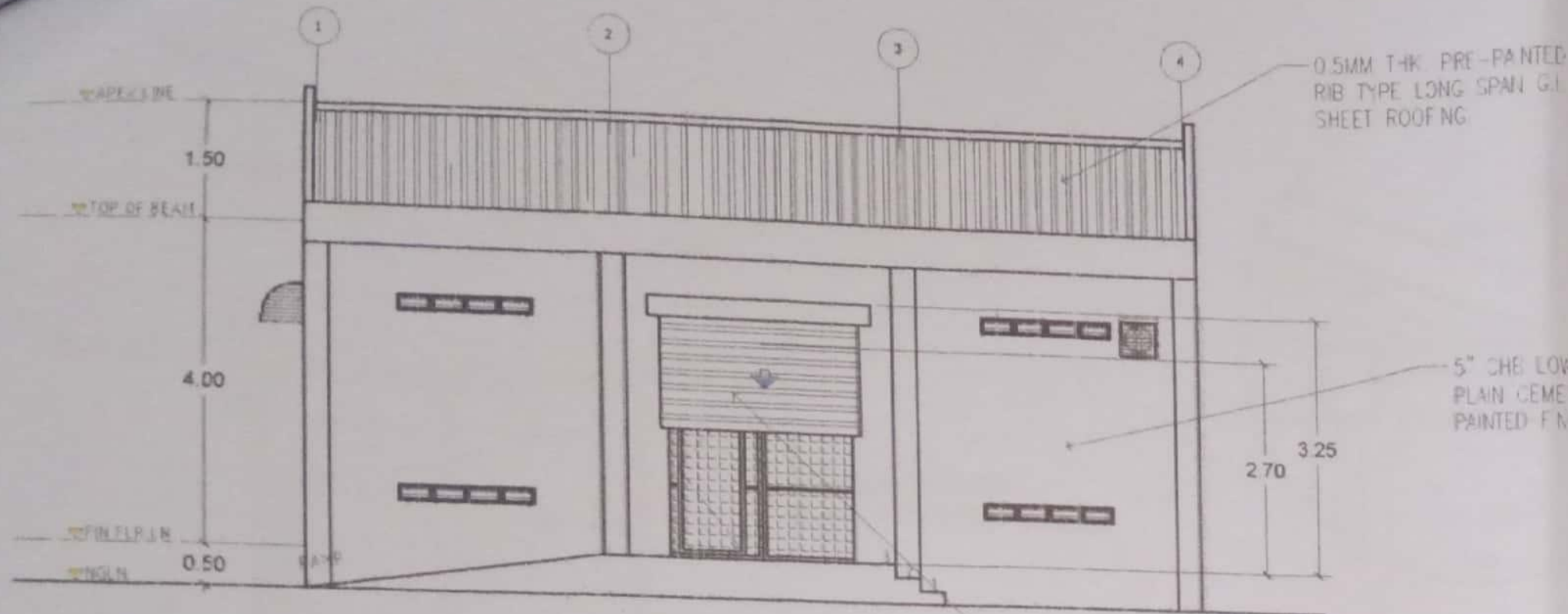


FLOOR PLAN
SCALE 1:100 MTS



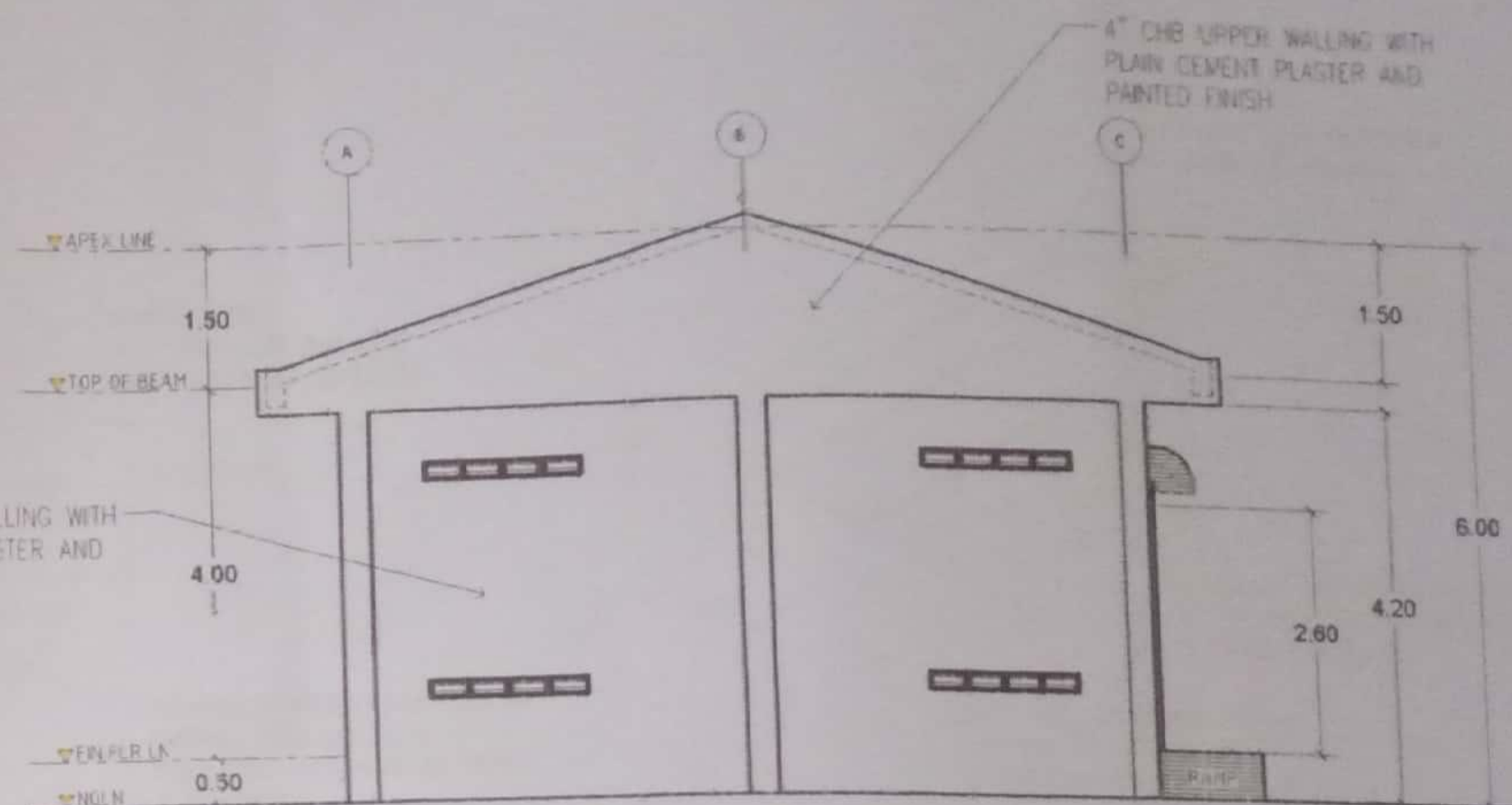
PERSPECTIVE VIEW
NOT TO SCALE

- NOTE:**
- * VERIFY ACTUAL SITE LOCATION FOR THE PROPOSED PROJECT CONSTRUCTION.
 - * USE D.A STANDARD COLOR COMBINATION FOR ALL EXTERIOR PAINT FINISH.
 - * INCLUDING D.A. LOGO

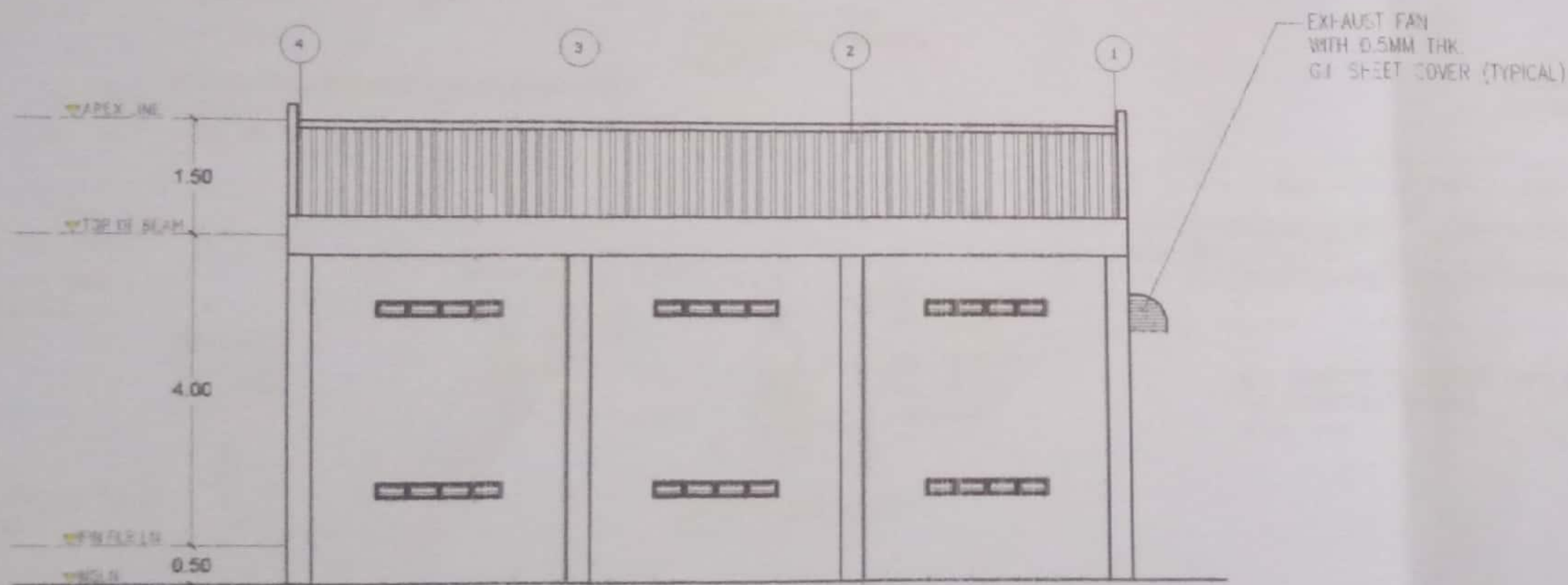


FRONT ELEVATION
SCALE 1:100 MTS

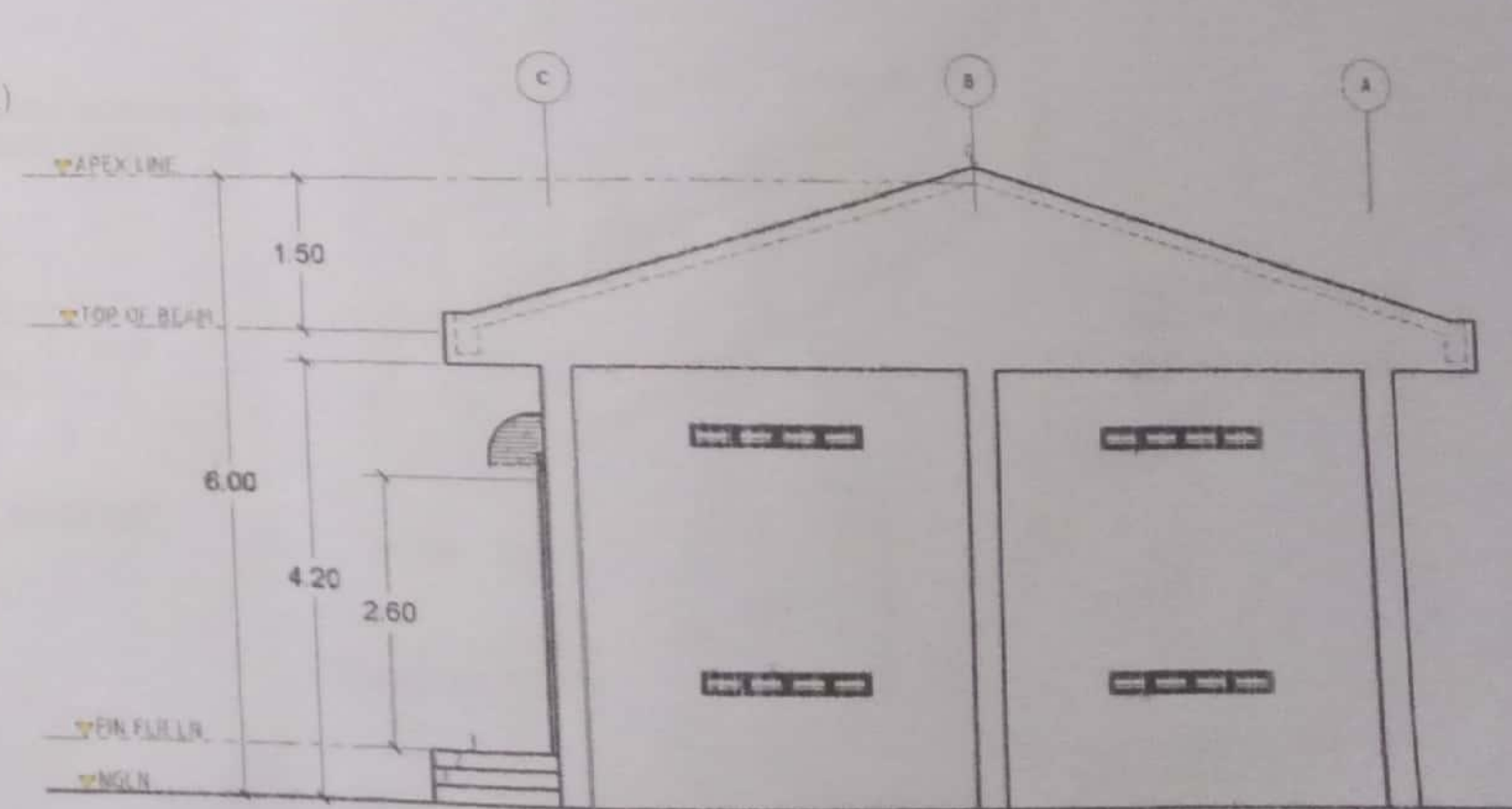
ROLL-UP-DOOR



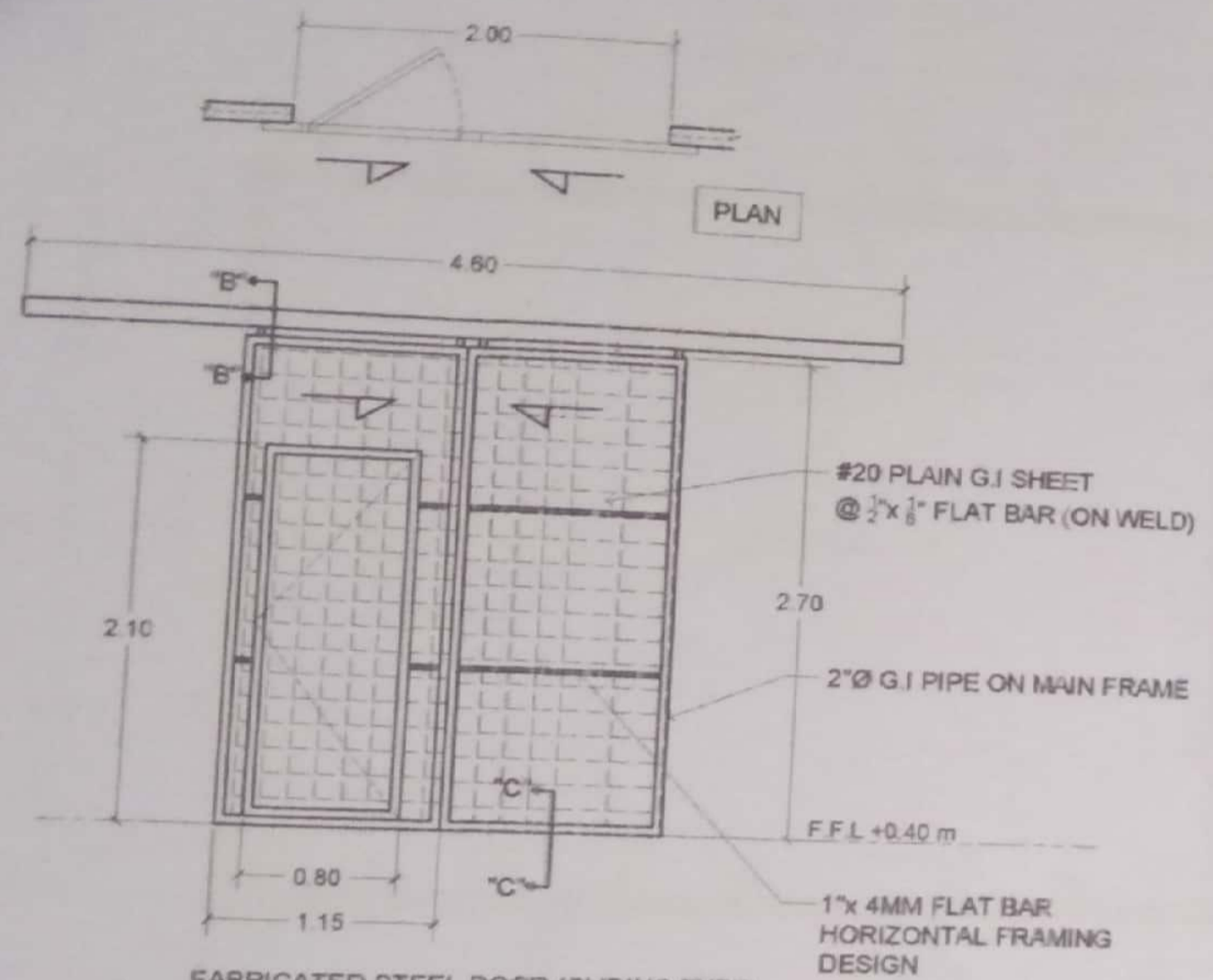
LEFT SIDE ELEVATION
SCALE 1:100 MTS



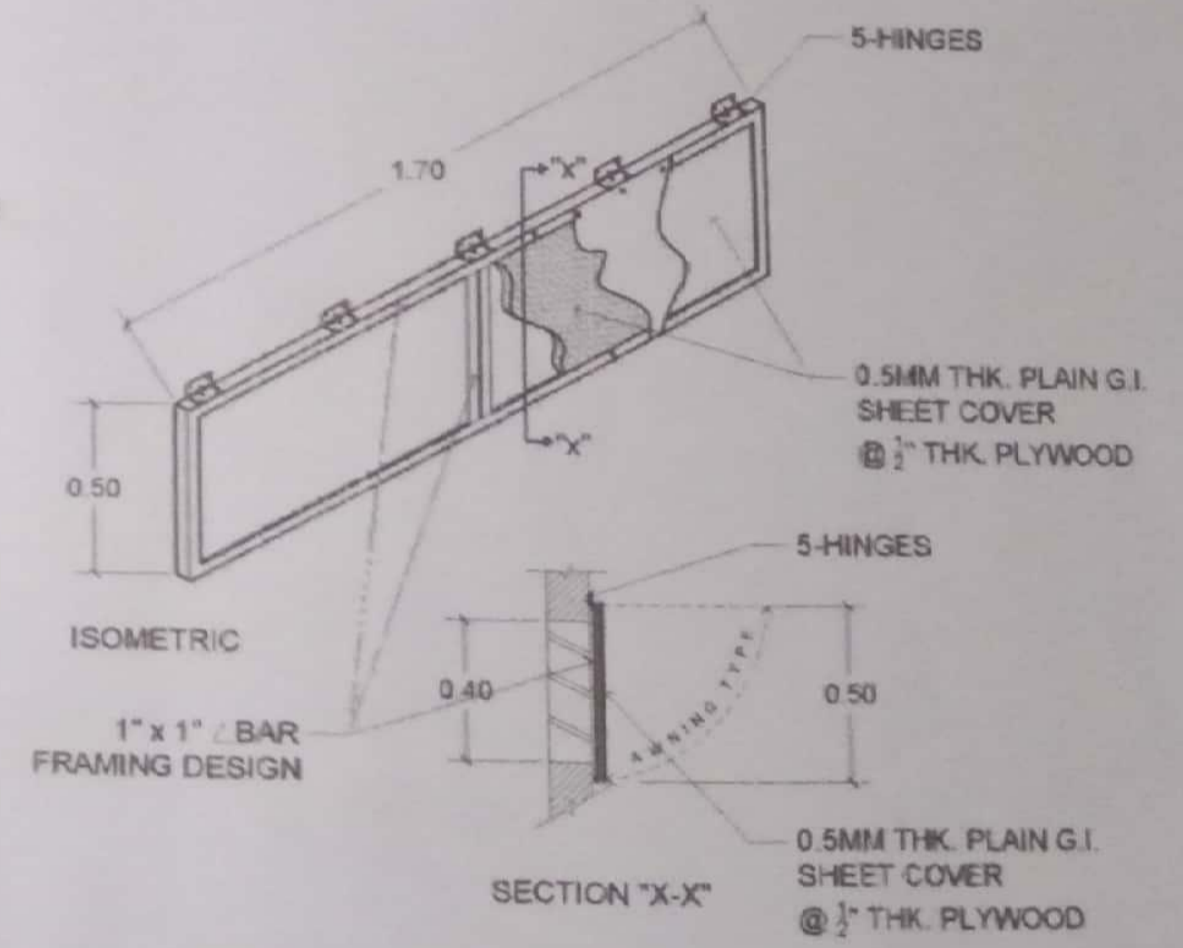
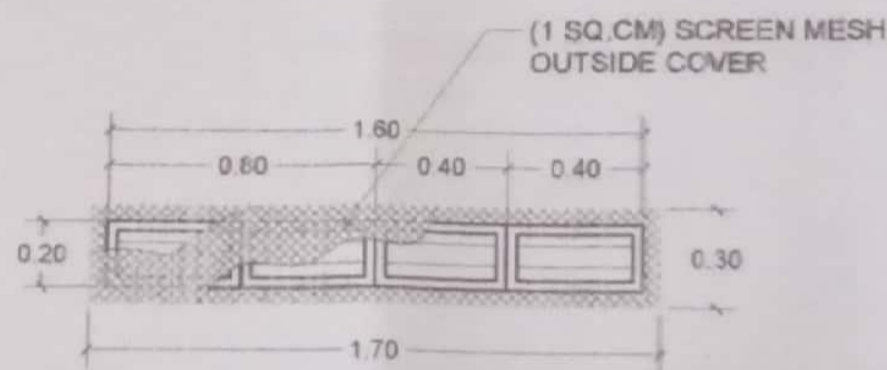
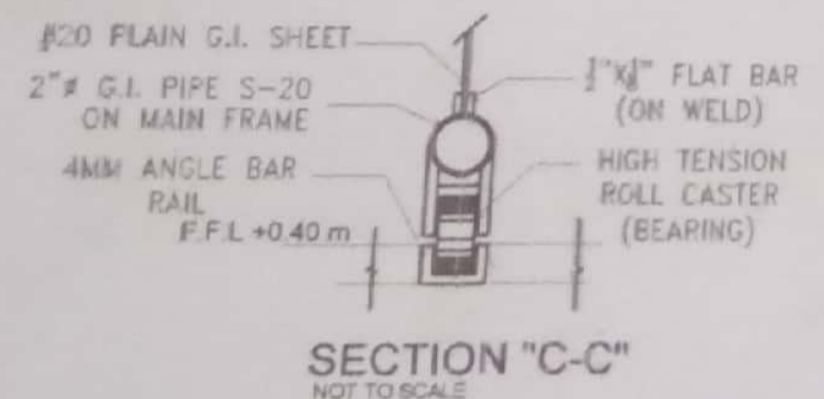
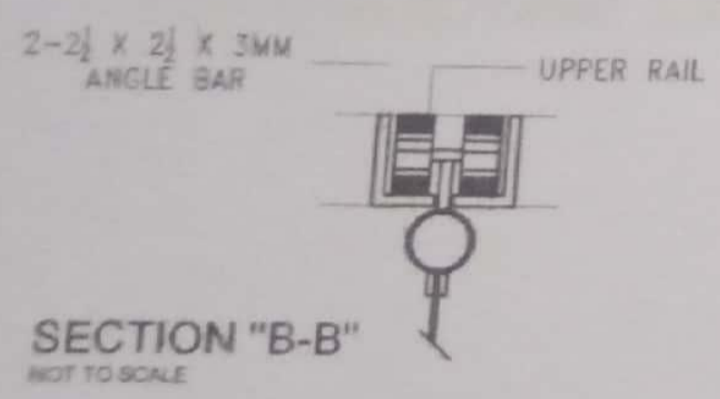
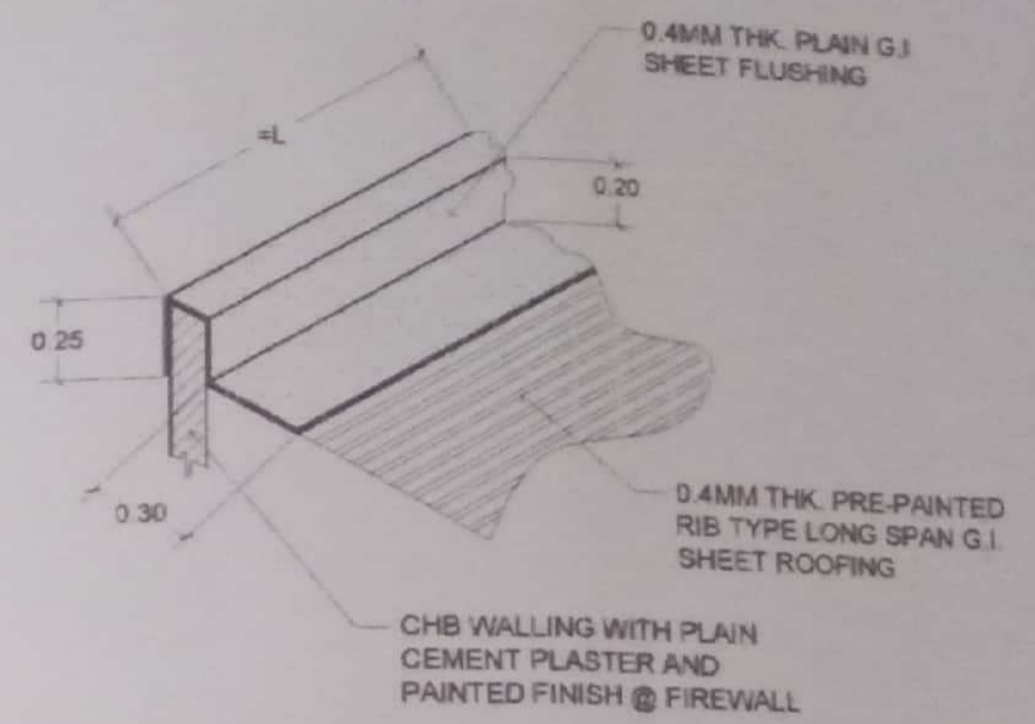
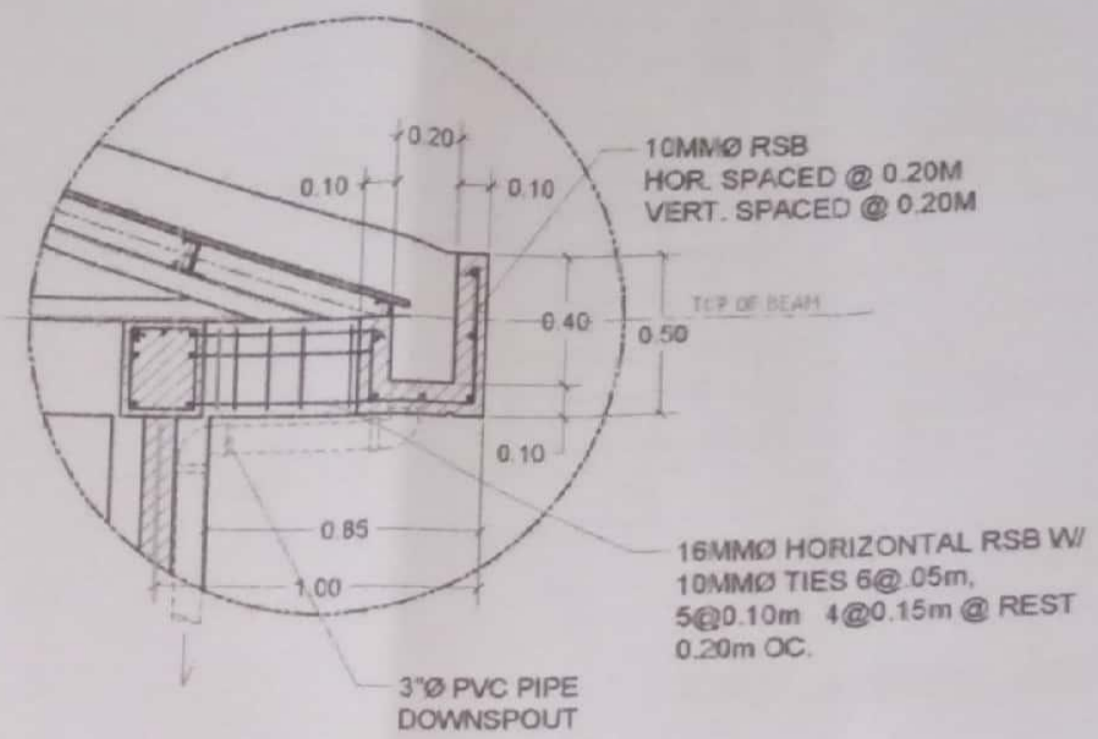
REAR ELEVATION
SCALE 1:100 MTS



RIGHT SIDE ELEVATION
SCALE 1:100 MTS

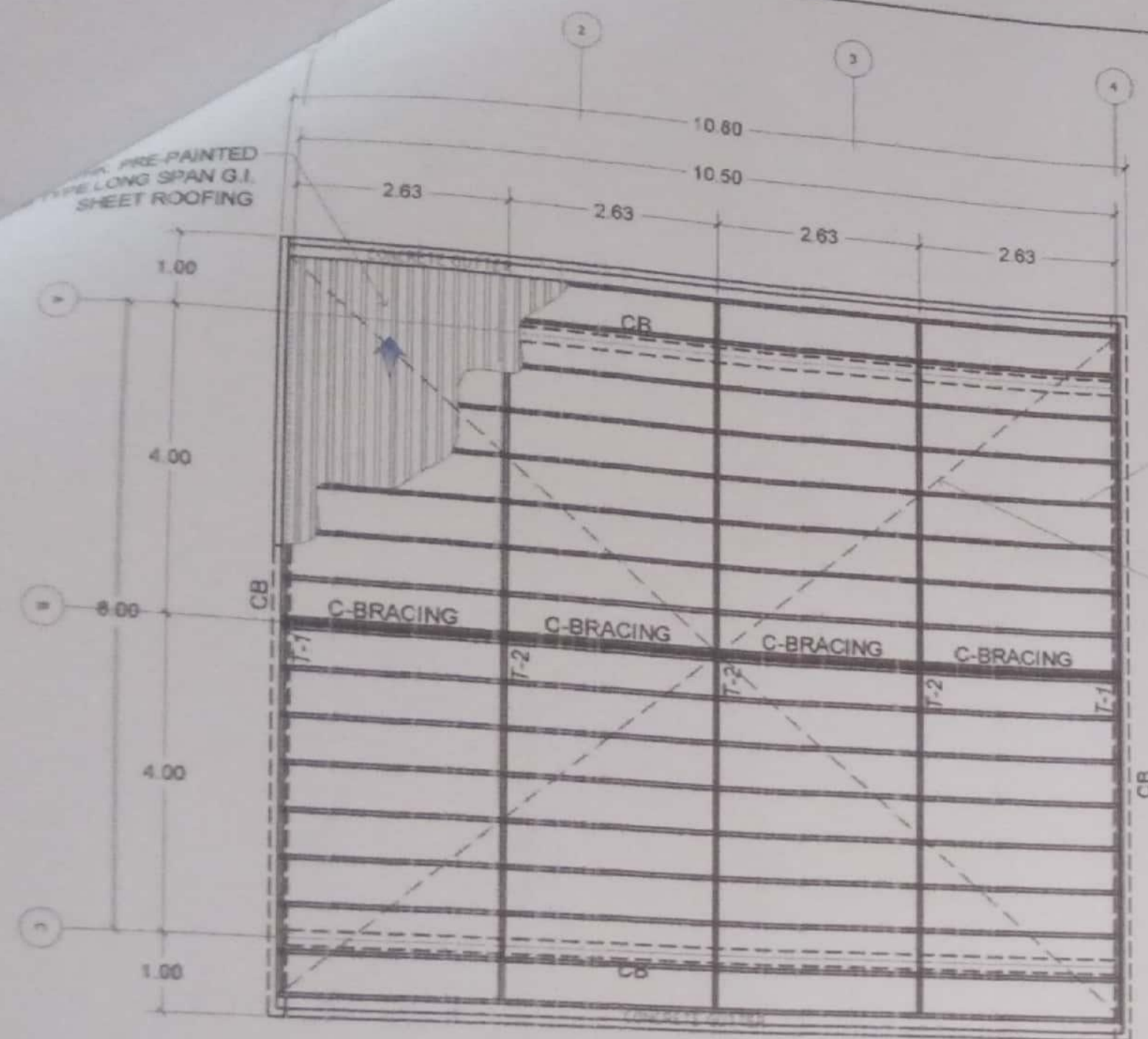


FABRICATED STEEL DOOR (SLIDING TYPE)
1 SET
SCALE 1:50 M

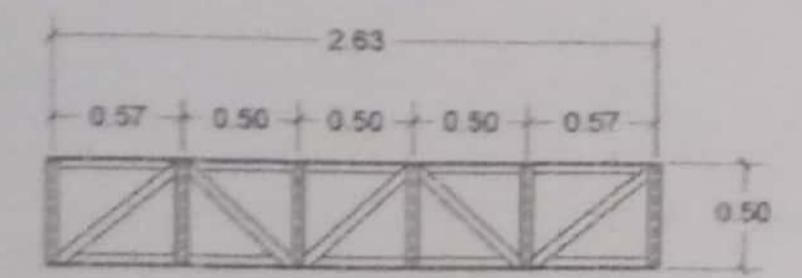


REPUBLIC OF THE PHILIPPINES
DEPARTMENT OF AGRICULTURE
REGIONAL FIELD OFFICE NO. 5
SAN AGUSTIN, PILI, CAMARINES SUR

PROJECT TITLE	PREPARED BY	CHECKED BY	SUBMITTED BY	RECOMMENDING APPROVAL	APPROVED BY	SHEET CONTENT
REPAIR OF SEED STORAGE WAREHOUSE OF REGIONAL NURSERY	CHESTER B. BOTOR	JERRY A. EBOÑA	GILBERT S. SALCEDO	LUZ R. MARCELINO	RODEL P. TORNILLA, MABE	AS SHOWN ABOVE
SOURCE OF FUND						SHEET NO.
LOCATION						A3
NURSERY AREA, DIVERSION, SAN AGUSTIN, PILI, CAMARINES SUR						3 of



ROOF FRAMING LAYOUT
SCALE 1:100 MTS



C-BRACING TOP & BOTT.MEMBER: 1-2"x2"x 5MM LBAR
4-SETS WEB MEMBER: 1-1 1/2"x1 1/2"x 4MM LBAR

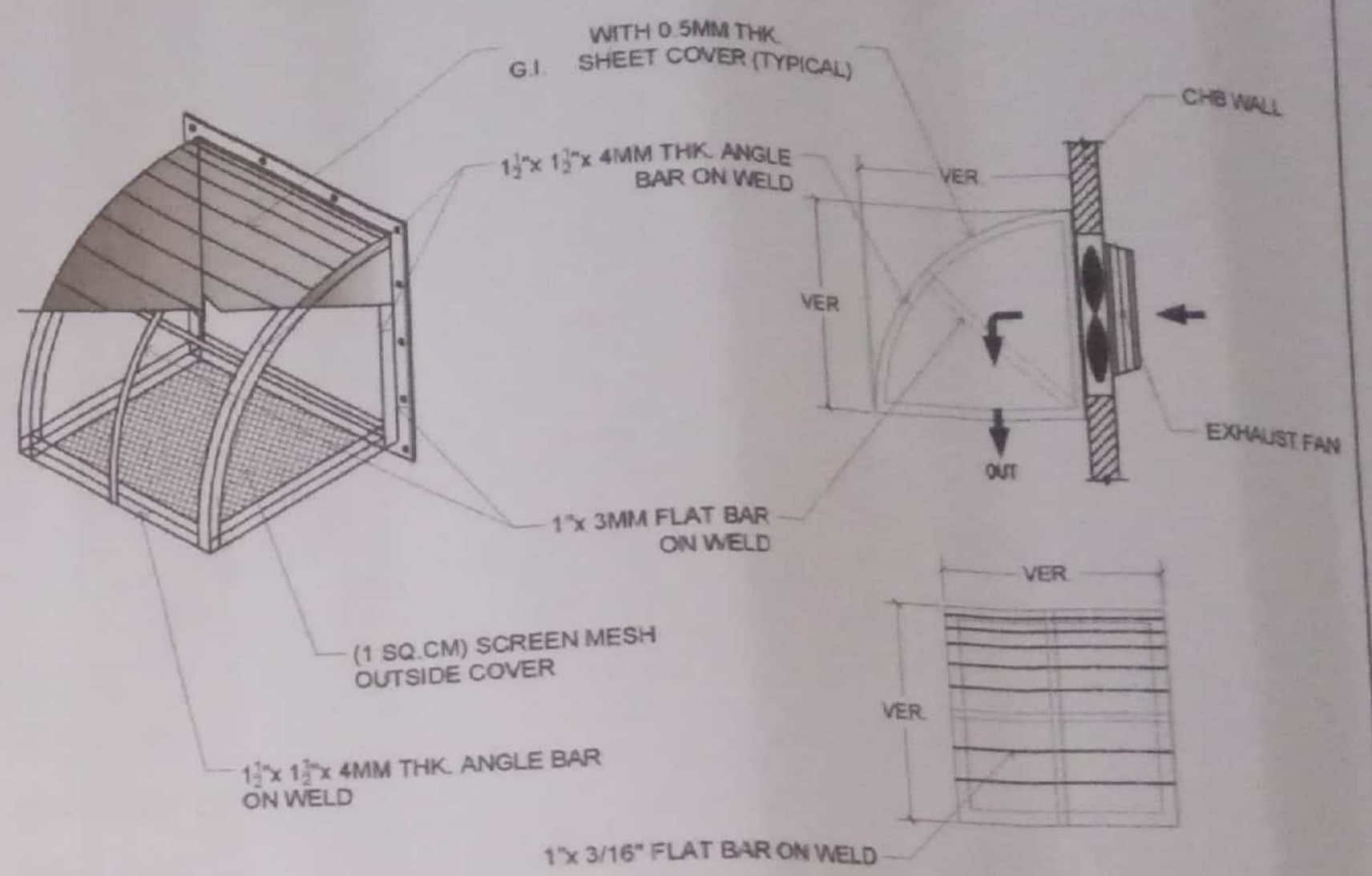
CROSS BRACING DETAIL
SCALE 1:50 M

- NOTE:**
1. PROVIDE 4.5mm THK. GUSSET PLATE AT EVERY CONNECTION.
 2. CONTRACTOR SHALL SUBMIT SHOP DRAWINGS FOR APPROVAL PRIOR TO FABRICATION.
 3. UNLESS OTHERWISE NOTED, PROVIDE 10mm# SAGRODS (SPACED @ MIDSPAN BETWEEN TRUSS)
 4. THE CONTRACTOR SHALL BE RESPONSIBLE TO VERIFY ALL DIMENSIONS DURING THE ACTUAL CONSTRUCTION.

2"x4"x1.20mm C-PURLINS W/
1 1/2" X 1 1/2" X 4MM THK. LBAR PURLINS
CONNECTOR SP.@0.60m.DIST.O.C.

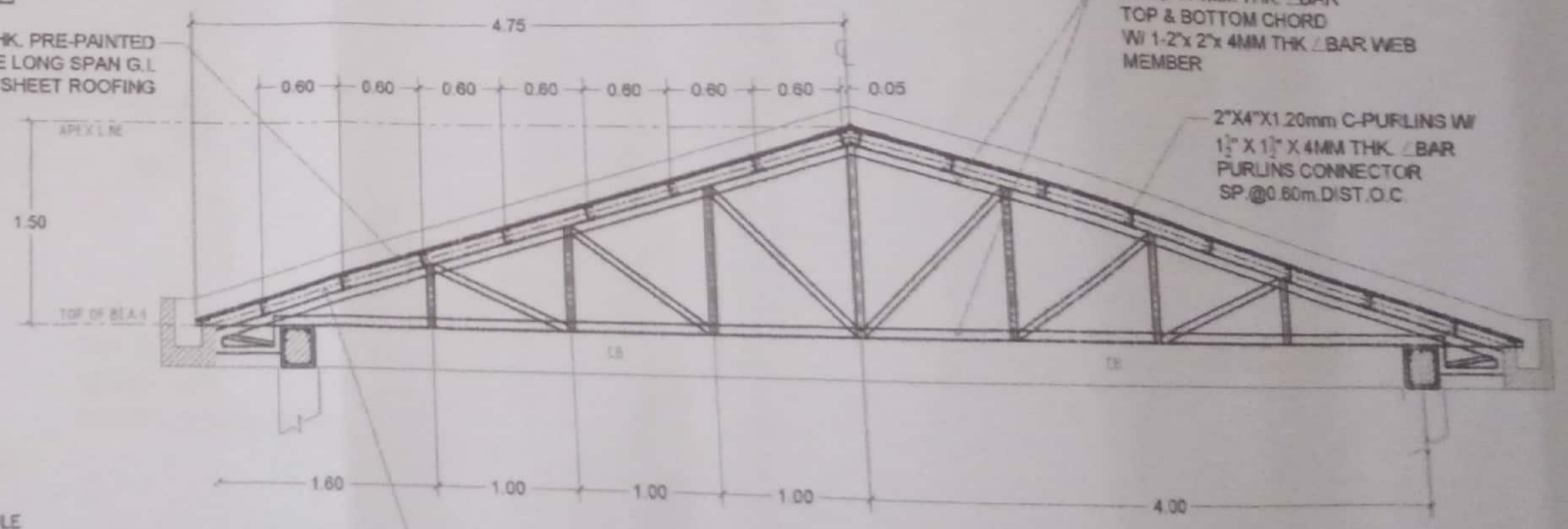
12mmØ PLAIN BAR
TENSION ROD W/ STD.
TURN BUCKLE

- LEGEND:**
- T-1 = 2 SETS 1- 2" X 2" X 4MM LBAR TOP & BOTTOM CHORD WITH 1- 2"x 2"x 4MM LBAR WEB MEMBER
 - T-2 = 3 SETS 2- 2" X 2" X 4MM LBAR TOP & BOTTOM CHORD WITH 1- 2"x 2"x 4MM LBAR WEB MEMBER

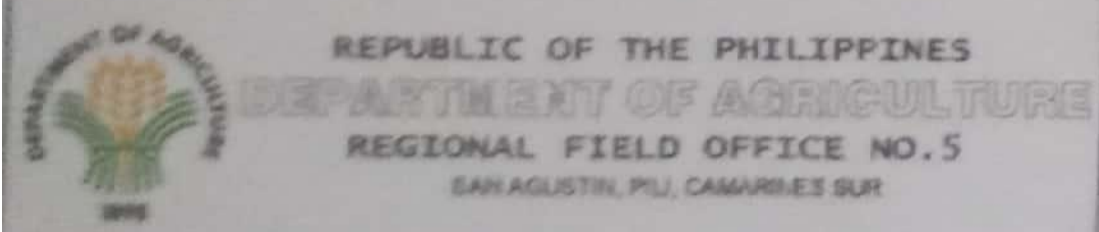


EXHAUST FAN COVER DETAIL
SCALE 1:30 MTS

0.4MM THK. PRE-PAINTED
RIB TYPE LONG SPAN G.I.
SHEET ROOFING



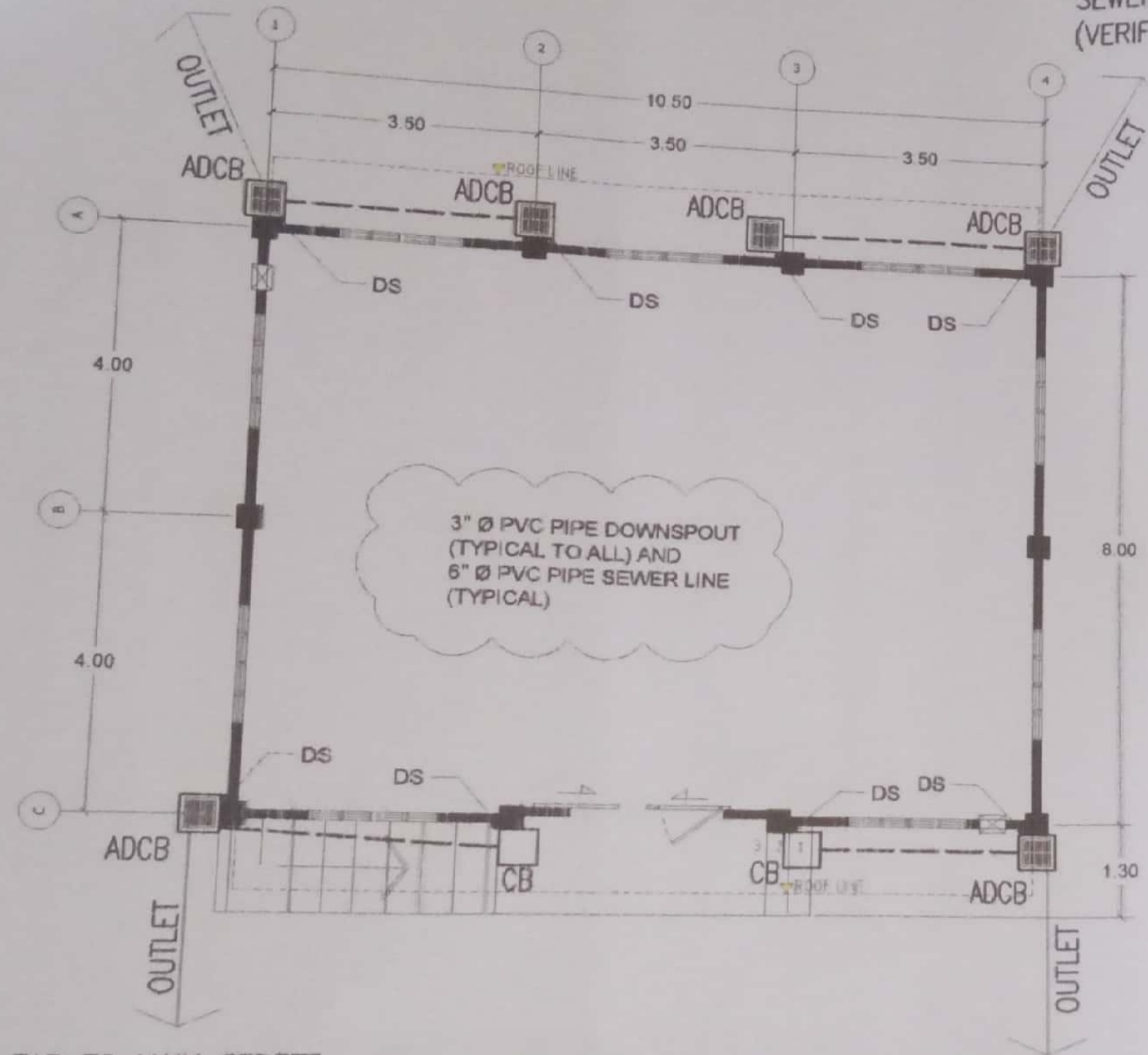
STEEL TRUSS DETAIL
SCALE 1:50 MTS



PROJECT TITLE: REPAIR OF SEED STORAGE WAREHOUSE OF REGIONAL NURSERY	PREPARED BY:	CHECKED BY:	SUBMITTED BY:	RECOMMENDING APPROVAL:	APPROVED BY:	SHEET CONTENT:
	CHESTER B. BOTOR <small>CHIEF ENGINEER</small>	JERRY A. EBOÑA <small>SPOSS - HEAD / A.E. II</small>	GILBERT S. SALCEDO <small>OK CHIEF - R/ED</small>	LUIZ P. MARCELINO <small>RTD FOR OPERATIONS</small>	RODEL P. TORNELLA, MABE <small>REGIONAL AGRICULTURE DIRECTOR</small>	AS SHOWN ABOVE SHEET NO: 52 5 of 7
	SOURCE OF FUND: LOCATION: NURSERY AREA, DIVERSION, SAN AGUSTIN, PILI, CAMARINES SUR					

TAP TO MAIN STREET
SEWER LINE
(VERIFY ACTUAL POINT)

TAP TO MAIN STREET
SEWER LINE
(VERIFY ACTUAL POINT)



LEGENDS:

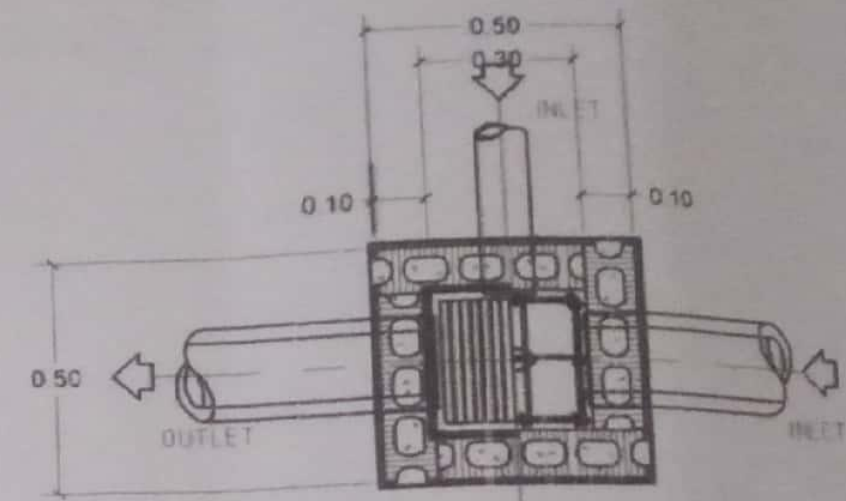
- SEWER LINE
- ADCB AREA DRAIN CATCH BASIN
- CB CATCH BASIN
- DS DOWN SPOUT

TAP TO MAIN STREET
SEWER LINE
(VERIFY ACTUAL POINT)

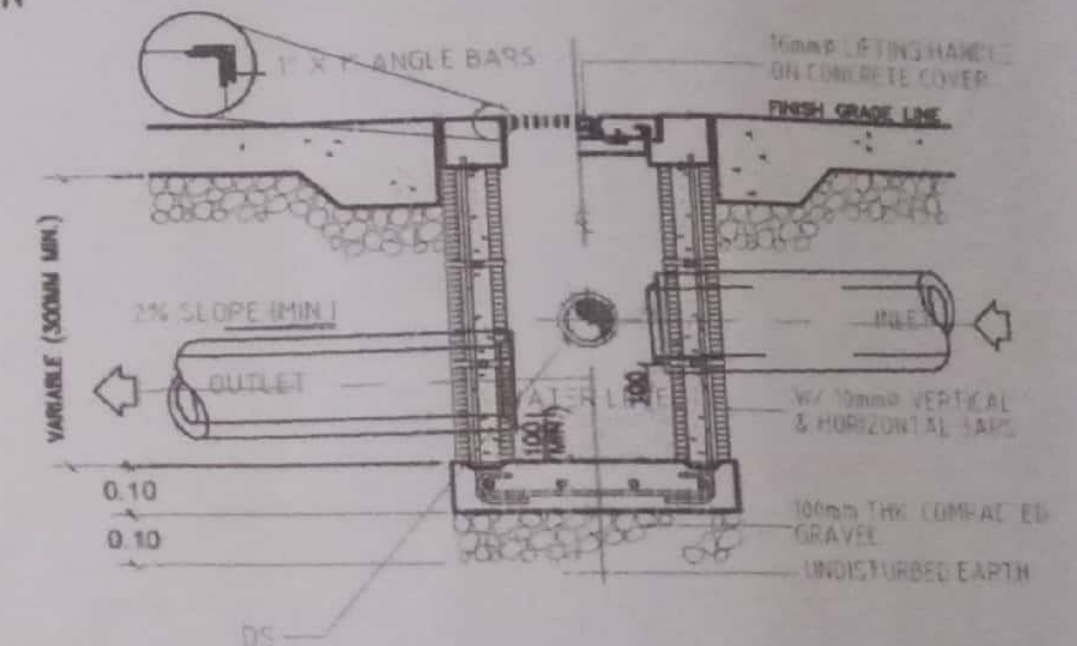
TAP TO MAIN STREET
SEWER LINE
(VERIFY ACTUAL POINT)

PLUMBING LAYOUT

SCALE 1:100 MTS



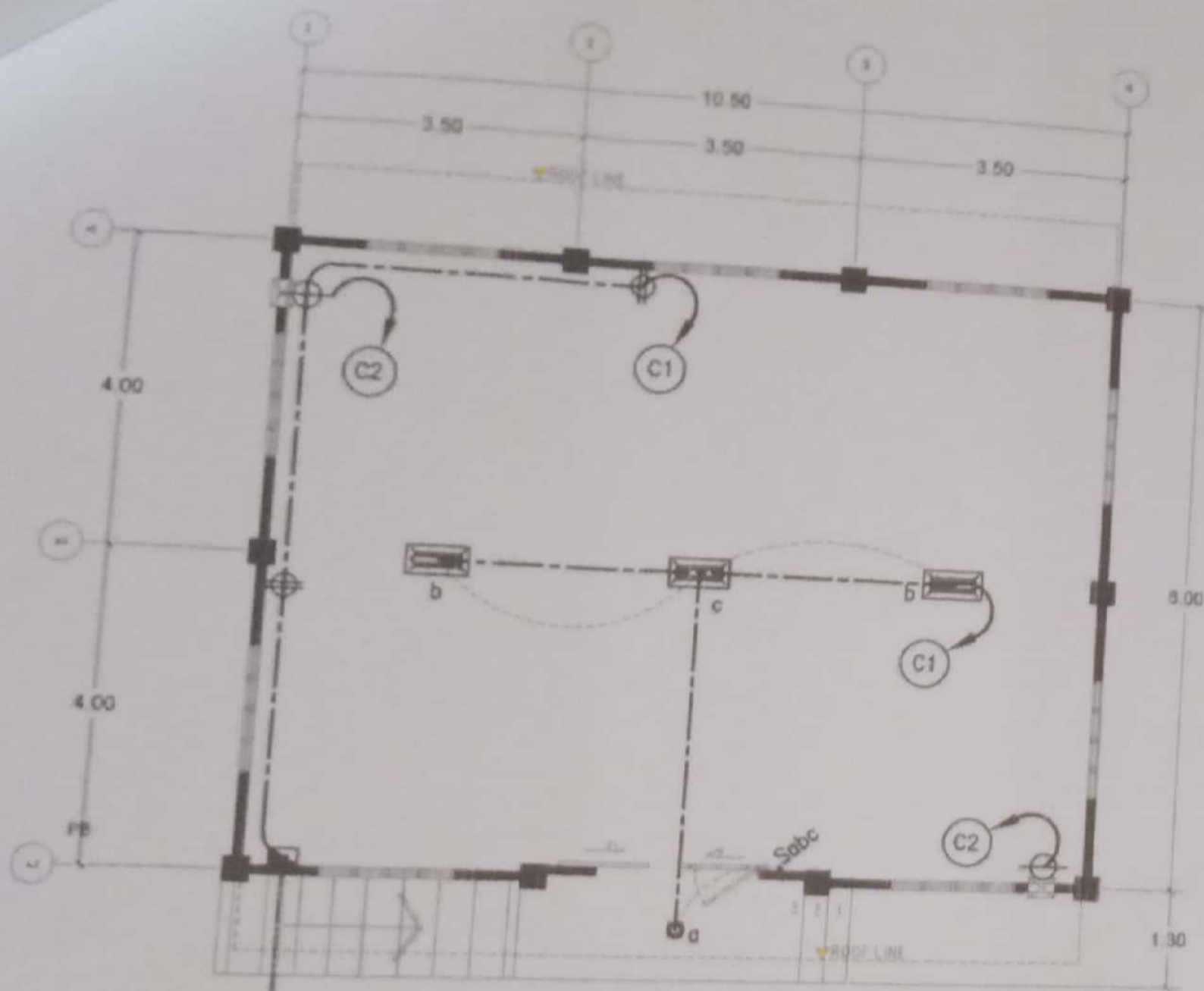
PLAN



SECTION

CB / ADCB DETAIL

SCALE 1:20 MTS



KWH METER
 POWER COMPANY
 220V, 1Ø, 60HZ
 (VERIFY ACTUAL TAPPING POINT)

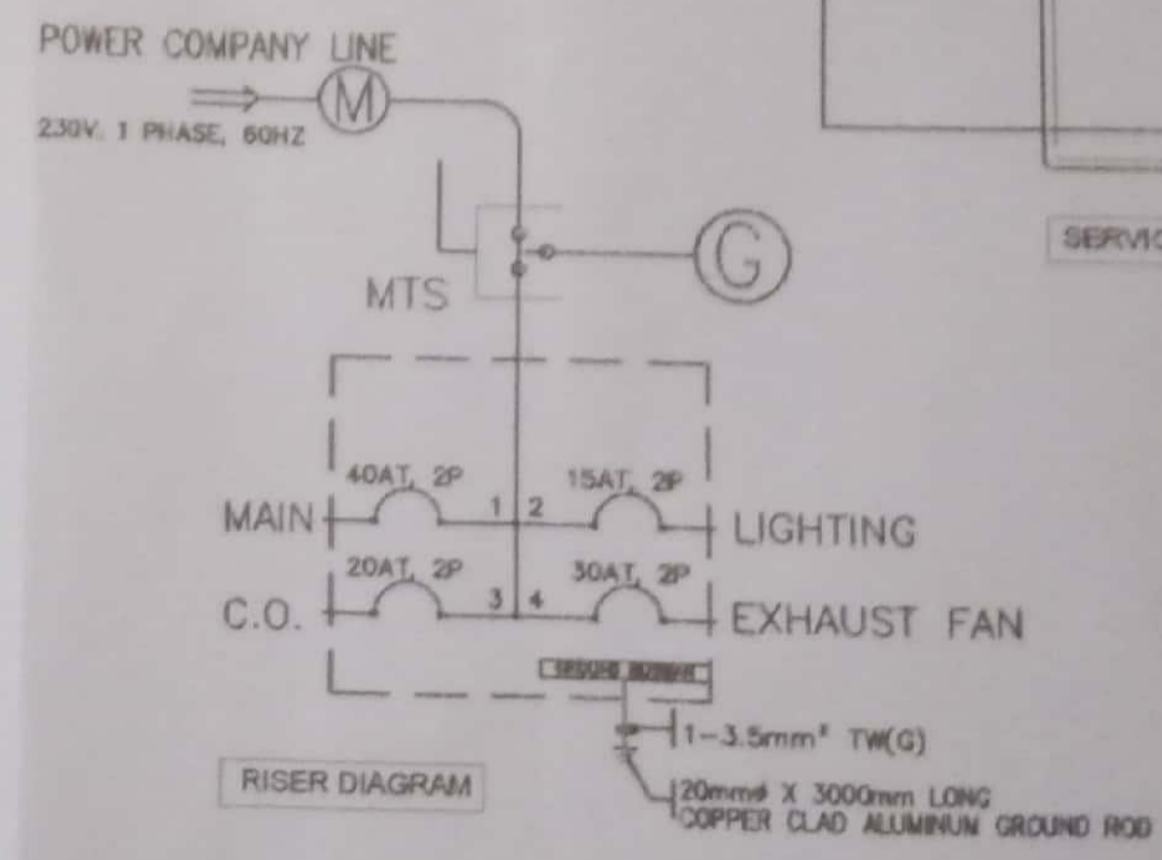
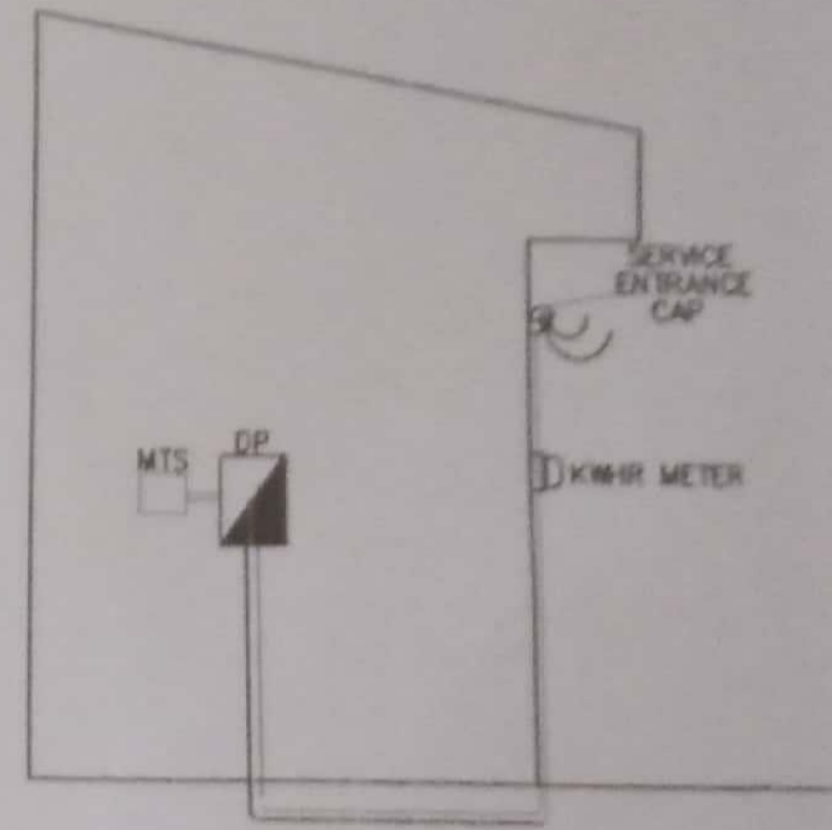
ELECTRICAL LAYOUT

SCALE: 1:100 MTS.

EXT. NO.	C.O.	LD.	POWER LOAD DESCRIPTION	VOLTS	WATTS	AMPS	AMPS	NO. OF WIRING RUNS (TRUNK)	CONDUIT (Ø) (Ø) (Ø)	CONDUIT (Ø) (Ø) (Ø)
1	4		INCANDESCENT LIGHT	220	400	1.82	20	2-3.5mm ²	2.0mm ²	Ø
2	2		CONVENTIONAL OUTLET	220	400	1.82	20	2-3.5mm ²	2.0mm ²	Ø
3	2		EXHAUST FAN	220	1,000	4.55	30	2-3.5mm ²	2.0mm ²	Ø
4			SPARE	220						
5	4				1,000	4.55				

POWER COMPANY 220V, 1Ø, 60HZ	POWER SERVICE ENTRANCE
KWH METER	GENERATOR SET
GENERATOR SET	LOCATION OF PANELBOARD WILL BE CHANGED AS PER SITE CONDITION
PANELBOARD	HANGING DOWN LIGHT 20 W, 220 V, INCANDESCENT LAMP
HANGING DOWN LIGHT 20 W, 220 V, INCANDESCENT LAMP	CEILING/SURFACE MOUNTED DOWN LIGHT 20 W, 220 V, INCANDESCENT LAMP
CEILING/SURFACE MOUNTED DOWN LIGHT 20 W, 220 V, INCANDESCENT LAMP	SINGLE POLE DEVICE LIGHT SWITCH
SINGLE POLE DEVICE LIGHT SWITCH	TWO POLE DEVICE LIGHT SWITCH
TWO POLE DEVICE LIGHT SWITCH	THREE POLE DEVICE LIGHT SWITCH
THREE POLE DEVICE LIGHT SWITCH	DUPLEX CONVENTIONAL OUTLET, FLUSH TYPE, GROUNDING TYPE, 10 AMPS, 220V
DUPLEX CONVENTIONAL OUTLET, FLUSH TYPE, GROUNDING TYPE, 10 AMPS, 220V	CIRCUIT HOME RUN
CIRCUIT HOME RUN	EXHAUST FAN OUTLET
EXHAUST FAN OUTLET	CIRCUIT BREAKER
CIRCUIT BREAKER	MANUAL TRANSFER SWITCH
MANUAL TRANSFER SWITCH	PULL BOX

LOAD ANALYSIS
 SERVICE ENTRANCE CONDUCTOR
 I_{sc} = 6.75 AMPS
 USE 2-5.5MM² THHN CU. WIRE #
 1- 3.5MM² THHN CU. WIRE (GROUND)
 @ 20MM Ø RSC / PVC
 USE 40AT, 2P, 2P. BOLT ON CB HEMA ENCL.



REPUBLIC OF THE PHILIPPINES
 DEPARTMENT OF AGRICULTURE
 REGIONAL FIELD OFFICE NO. 5
 SAN AGUSTIN, PILI, CAMARINES SUR

PROJECT TITLE: REPAIR OF SEED STORAGE WAREHOUSE OF REGIONAL NURSERY
 SOURCE OF FUND:
 LOCATION: NURSERY AREA, DIVERSION, SAN AGUSTIN, PILI, CAMARINES SUR

PREPARED BY	CHECKED BY	SUBMITTED BY	RECOMMENDING APPROVAL	APPROVED BY	SHEET COMMENT
PAUL JOHN P. BAAL CAD - INPUT / E.E.	JERRY A. EBOÑA EPOSS - HRM / A.E.E.	GILBERT S. SALCEDO OIC - CHIEF - B&D	LUZ R. MARCELINO PTD FOR OPERATIONS	RODEL R. TORNELLA, MABE REGIONAL EXECUTIVE DIRECTOR	AS SHOWN ABOVE E1 7 of 7