



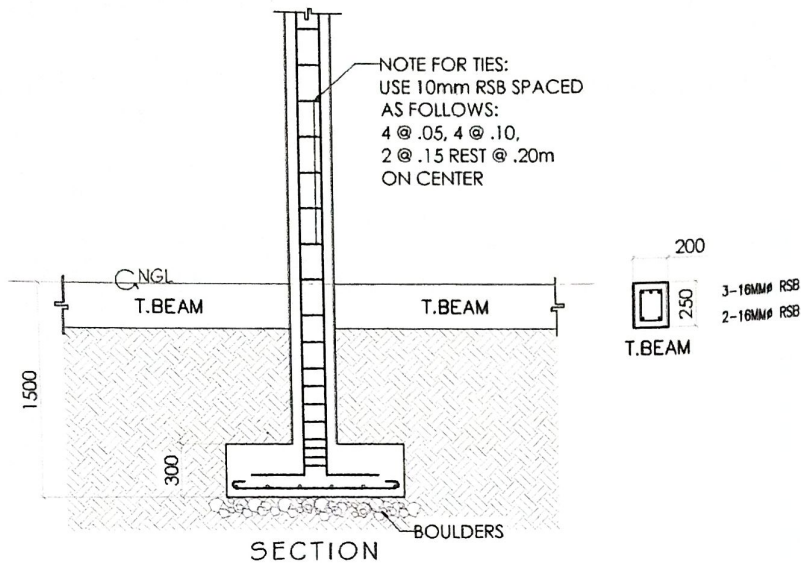
Republic of the Philippines  
DEPARTMENT OF AGRICULTURE  
Regional Field Unit No. 5  
San Agustin, Pili, Camarines Sur

**Project Title** : REPAIR OF FENCING AT DA PRODUCTION AREA  
**Location** : DA RFO-V COMPOUND, SAN AGUSTIN,PILI,CAMARINES SUR  
**Estimated Cost** : 4,000,000.00  
**Implementator** : By Contract  
**Subject** : Bill of Materials / Cost Estimates  
**Fund** :

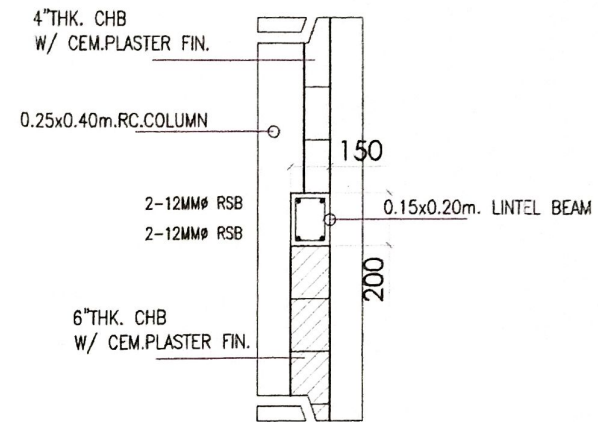
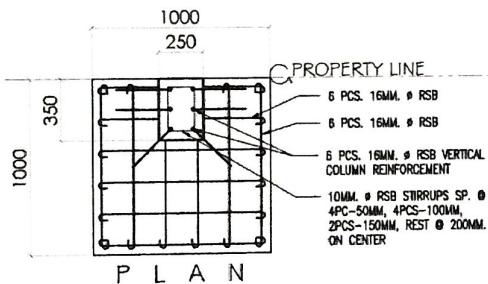
Item	SUMMARY			Total Cost
I	: CLEARING/REMOVAL WORKS	1.00	lot	=
II	: EARTHWORKS	1.00	lot	=
III	: CONCRETE WORKS	1.00	lot	=
IV	: MASONRY WORKS	1.00	lot	=
V	: FORMS AND SCAFFOLDINGS WORKS	1.00	lot	=
VI	: METAL WORKS	1.00	lot	=
VII	: PAINTING WORKS	1.00	lot	=
			EST. PROJECT COST	=

---

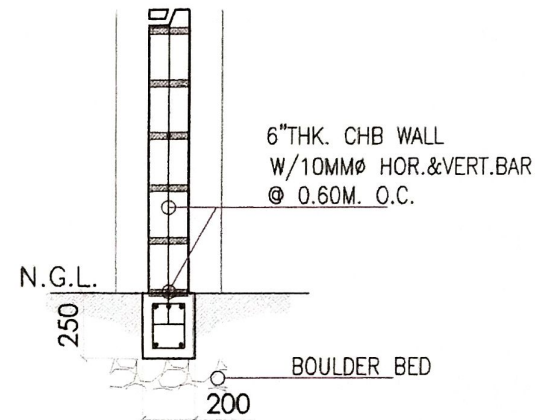
NAME AND SIGNATURE OF CONSTRUCTOR



1 COLUMN FOOTING & TIE BEAM DETAIL  
S7 SCALE 1:30M

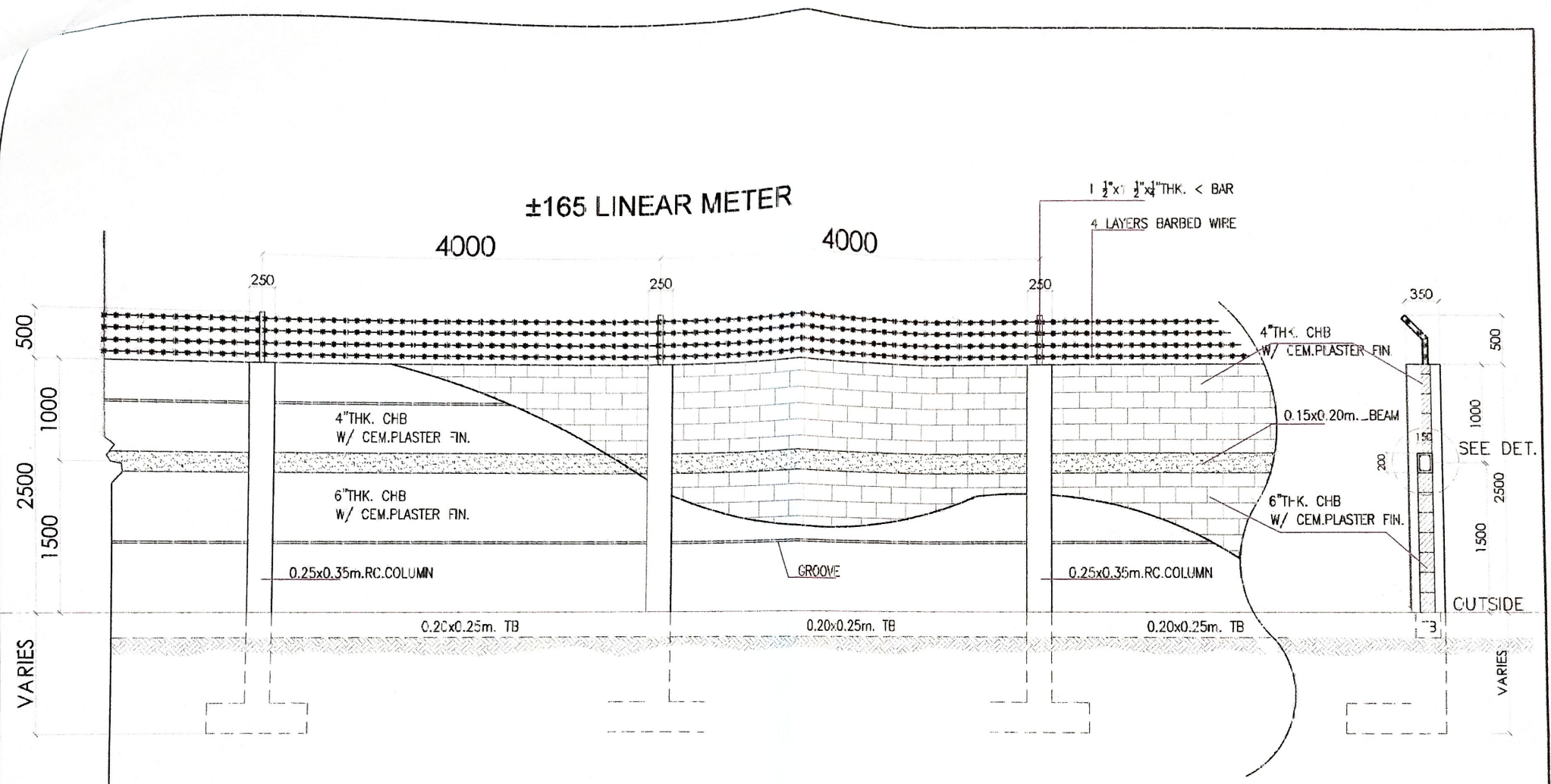


2 WALL/LINTEL BEAM DETAIL  
S7 SCALE 1:20M



3 WALL DETAIL  
S7 SCALE 1:20M

<p>REPUBLIC OF THE PHILIPPINES DEPARTMENT OF AGRICULTURE REGIONAL FIELD UNIT NO. 5 SAN AGUSTIN, PILI, CAMARINES SUR</p>	PROJECT TITLE: PROPOSED:	PREPARED BY:	CHECKED BY:	VERIFIED BY:	SUBMITTED BY:	RECOMMENDING APPROVAL:	APPROVED BY:	SHEET CONTENT:	SHEET NO.
	REPAIR OF FENCING AT DA PRODUCTION AREA	AR. JULIUS CEZAR M. REDIMONTE	ONOFRE M. RUIZ JR.	JERRY A. EBOÑA	GILBERT S. SALCEDO	LUIS R. MARCELINO	RODEL PATORNIJA, MABE	AS SHOWN	A2
	LOCATION: DA RFO-V COMPOUND, SAN AGUSTIN, PILI, CAMARINES SUR	CAD: REDIMONTE	UNIT: RFO INFR	SECTION: RFO - EPOS	DC: CHIEF-RAED	RFO: FOR OPERATION AND EXTENSION	REG: EXECUTIVE DIRECTOR		



**1 FRONT ELEVATION DETAIL**  
 SCALE 1:40 MTS.

**2 TYP. SIDE ELEVATION DETAIL**  
 SCALE 1:40 MTS.

<p>REPUBLIC OF THE PHILIPPINES          DEPARTMENT OF AGRICULTURE          REGIONAL FIELD UNIT NO. 5          SAN AGUSTIN, PILI, CAMARINES SUR.</p>	PROJECT TITLE: <b>REPAIR OF FENCING AT DA          PRODUCTION AREA</b>	PREPARED BY: AR. JULIUS CEZAR PEDRMONTE	CHECKED BY: ONOFRE ALONIZ JR. UNIT HEAD-RRM	VERIFIED BY: JERRY A. EBOÑA SECTION HEAD - CROSS	SUBMITTED BY: GILBERT S. SALCEDO DIV. OFFICER-RRM	RECOMMENDING APPROVAL: LUZ MARCELINO RMO FOR OPERATION AND EXTENSION	APPROVED BY: RODEL P. TINNILLAN, MABE REGIONAL EXECUTIVE DIRECTOR	SHEET CENTER: AS SHOWN	SHEET NO. <b>A1</b>
	LOCATION: DA REO-V COMPOUND, SAN AGUSTIN, PILI, CAMARINES SUR	DATE: 11 DEC 2018	UNIT: RR-RRM	DIVISION: RR-RRM	DIVISION: RR-RRM	DIVISION: RR-RRM	DIVISION: RR-RRM	DIVISION: RR-RRM	DIVISION: RR-RRM
	PROJECT NO.: RR-RRM-2018-001								