



Republic of the Philippines  
**Department of Agriculture**  
 Regional Office No. 5  
 San Agustin, Pili, Camarines Sur

Name of Project : CANAL REPAIR AND EXTENSION OF CAGBACONG DIVERSION DAM  
 Location : Brgy. Cagbacong, Legaspi City, Albay  
 Appropriation : 3,000,000.00 M  
 Subject : BILL OF QUANTITIES AND COST PROPOSAL

Name of Project/Location of Project: CANAL REPAIR AND IMPROVEMENT OF CAGBACONG D.D. Brgy. Cagbacong, Legaspi City, Albay		Source of Fund: <b>NDRRM</b>		Classification: Repair and Canal Extension	
Project Description: Extension of 1089 Linear Meter Concrete Canal and Other Irrigation Structure		Calendar Days to Complete: 90 days		Date Started: Upon receipt of NTP	
Minimum Technical Personnel Required: 1 Foreman 1 First Aider 1 Safety Officer 6 Skilled 14 Unskilled		Minimum Equipment Requirement: 1 Concrete Mixer, 1 bagger 1 Dump truck, 6-8 cu.m. 1 Mini-Backhoe 1 Mechanical Tamper enough Minor Tools			
SCOPE OF WORK TO BE DONE					
Item No.	Description	Unit	Quantity	Unit Cost	Total Amount (P)
<b>PART I OTHER GENERAL REQUIREMENTS</b>					
1.1	Project Billboard/Signboard	e.a.	1.00		
1.2	Occupational Safety and Health Program	L.S.	1.00		
1.3	Mobilization / Demobilization	L.S.	1.00		
1.4	Construction of Camps, Other Temporary Facilities	L.S.	1.00		
<i>Sub total</i>					
<b>PART II CONCRETE IRRIGATION CANAL (1,089 L.M.)</b>					
<b>Part A EARTH WORKS</b>					
102	Common Soil Excavation	cu.m.	210.00		
100(2)	Structural BackFill/Backfilling	cu.m.	80.00		
201	Aggregate Sub Base Course (Gravel Fill)	cu.m.	87.00		
<b>Part C REINFORCE CONCRETE WORKS</b>					
405(3)	Concrete Class "B" w/ Forms (Wall)	cu.m.	113.00		
405(4)	Concrete Class "B" w/out Forms (Flooring)	cu.m.	87.00		
404	Reinforcing Steel Bar	kgs.	8,460.00		
<i>Sub total</i>					
<b>PART III TURN - OUT (6 UNITS)</b>					
<b>Part A EARTH WORKS</b>					
102	Common Soil Excavation	cu.m.	4.80		
100(2)	Structural BackFill/Backfilling	cu.m.	2.40		
201	Aggregate Sub Base Course (Gravel Fill)	cu.m.	1.30		
<b>Part B REINFORCE CONCRETE WORKS</b>					
405(3)	Concrete Class "B" w/ Forms (Wall)	cu.m.	2.00		
405(4)	Concrete Class "B" w/out Forms (Flooring)	cu.m.	1.30		
404	Reinforcing Steel Bar	kgs.	243.00		
<i>Sub total</i>					
<b>PART IV END CHECK (1 UNITS)</b>					
<b>Part A EARTH WORKS</b>					
102	Common Soil Excavation	cu.m.	1.00		
100(2)	Structural BackFill/Backfilling	cu.m.	0.50		
201	Aggregate Sub Base Course (Gravel Fill)	cu.m.	0.50		
<b>Part B REINFORCE CONCRETE WORKS</b>					
405(3)	Concrete Class "B" w/ Forms	cu.m.	0.75		
404	Reinforcing Steel Bar	kgs.	75.00		
<i>Sub total</i>					
<b>TOTAL PROJECT COST</b>					

NOTE All Taxes, contractors profit and hauling costs and delivery are included in unit cost per item

NAME AND SIGNATURE OF BIDDER

REPUBLIC OF THE PHILIPPINES  
DEPARTMENT OF AGRICULTURE  
REGIONAL FIELD UNIT NO.5  
SAN AGUSTIN, PILI, CAMARINES SUR.

**PROJECT TITLE**

*P R O P O S E D :*

**CANAL REPAIR AND EXTENSION  
OF CAGBACONG DIVERSION DAM**

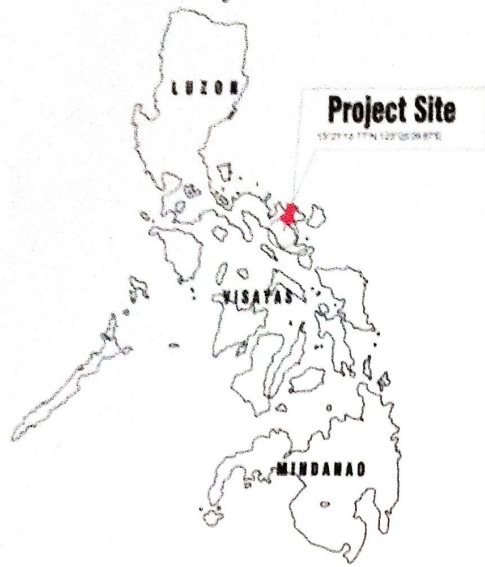
**LOCATION: BRGY. CAGBACONG, LEGASPI CITY, ALBAY**

*PREPARED BY:*

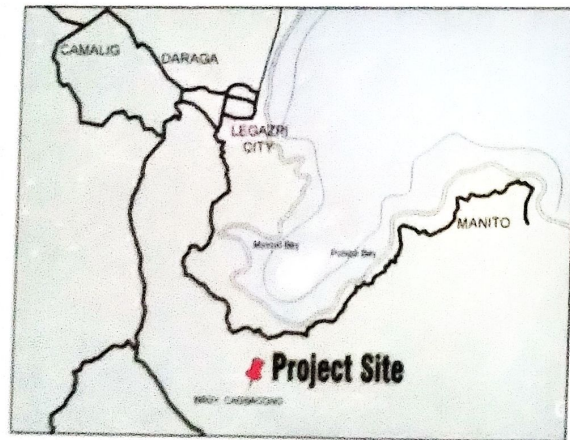
**RAED OFFICE**







LOCATION MAP



VICINITY MAP

### SHEET CONTENT :

1 03	LOCATION & VICINITY MAP SHEET CONTENT
2 03	TOPOGRAPHIC MAP AND FARM PLAN
3 03	DETAIL OF CONCRETE CANAL DETAIL OF TURN-OUT STRUCTURE DETAIL OF CANAL END CHECK



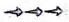


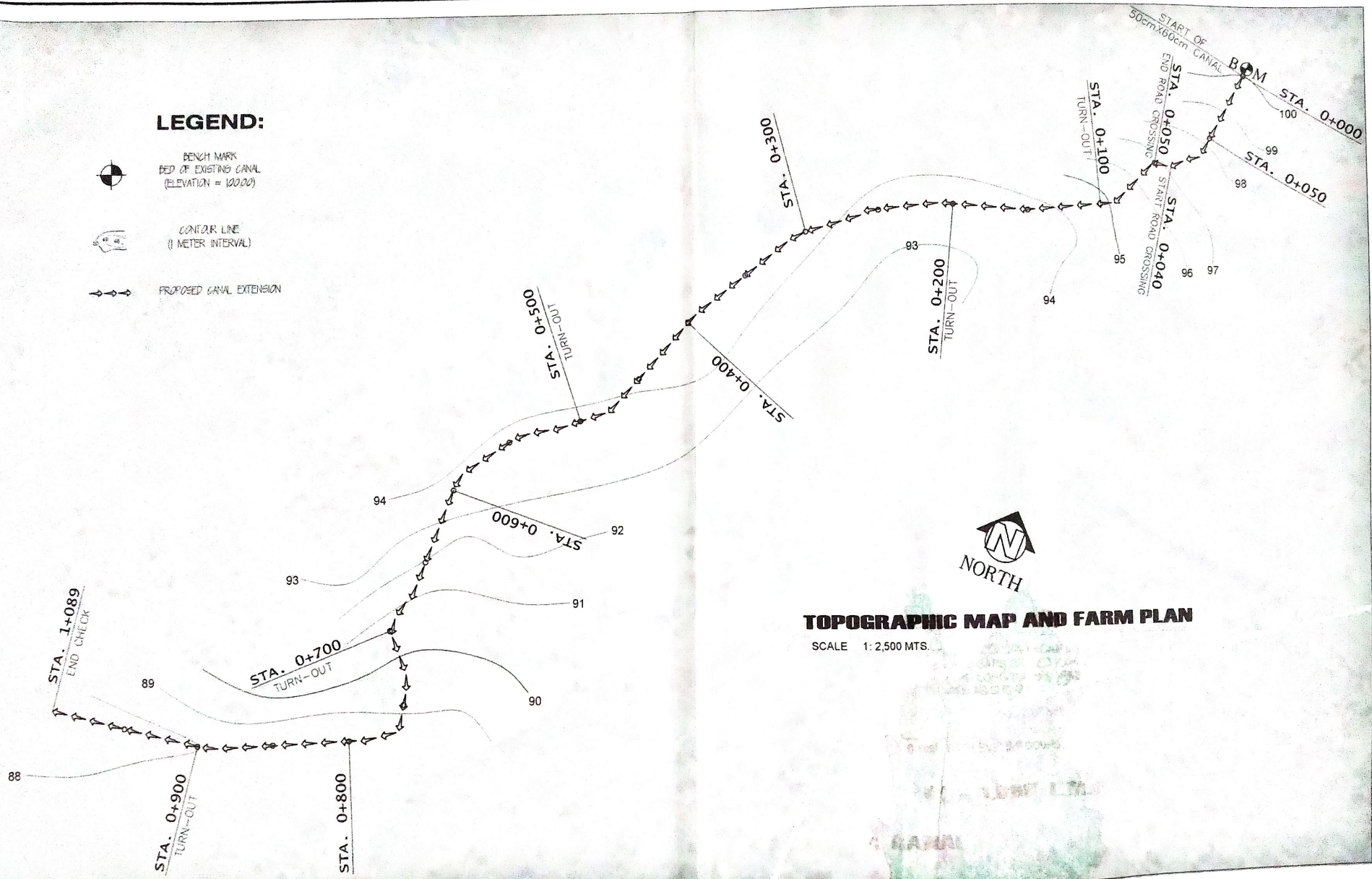
REPUBLIC OF THE PHILIPPINES  
DEPARTMENT OF AGRICULTURE  
REGIONAL FIELD UNIT NO. 5  
SAN AGUSTIN, PILI, CAMARINES SUR

Prepared by <i>[Signature]</i> SHEILA M. MORALES Engineer I	Checked by <i>[Signature]</i> ARTEMIO MORALES Engineer I	Reviewed by <i>[Signature]</i> TERESA M. MORALES Engineer II	Submitted by <i>[Signature]</i> SHEILA M. MORALES Engineer I	Accounting/Estimate <i>[Signature]</i> LEO B. MORALES Off. In Charge	Approved by <i>[Signature]</i> ROBERTO MORALES Engineer III	Work Order No. Canal Repair and Extension of Cagsabangan Diversion Dam Location Brgy. Cagsabangan, Legazpi City, Albay Project Details AS SHOWN
--	---	---	---	---	--	--



**LEGEND:**

-  BENCH MARK  
PEP OF EXISTING CANAL  
(ELEVATION = 100.00)
-  CONTOUR LINE  
(1 METER INTERVAL)
-  PROPOSED CANAL EXTENSION





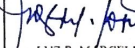




**TOPOGRAPHIC MAP AND FARM PLAN**

SCALE 1:2,500 MTS.

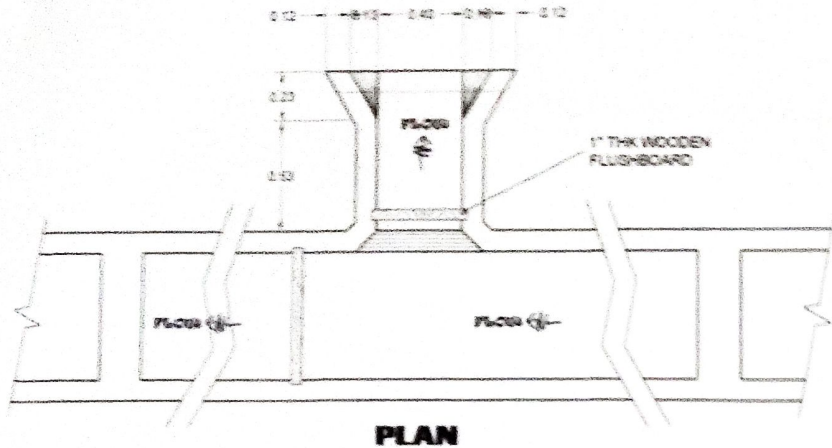


REPUBLIC OF THE PHILIPPINES  
DEPARTMENT OF AGRICULTURE  
REGIONAL FIELD UNIT NO. 5  
SAN AGUSTIN, PILI, CAMARINES SUR

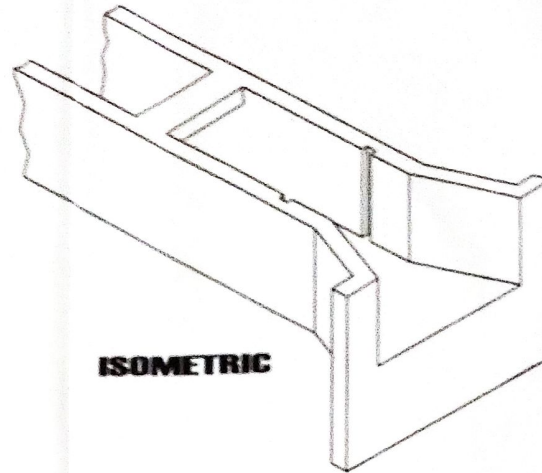
Prepared by  BEL JOSEPH D. BONITO Engineer I	Checked by  ARMIN B. MIRA Engineer II	Reviewed by  JERRY A. EBOÑA Senior Field, Engr. III	Submitted by  GILBERTO S. LUCIDO OIC - Chief, EVED	Recommending Approval  LUZ R. MARCELINO RTD for Operation and Extensions	Approved by  RODOLFO TORMANTA, MADE Regional Executive Director
--	---	--	--	--	---

Name of Project Canal Repair and Extension of Cagbacong Diversion Dam	DAD No. Pun. Ord.
Location Brgy. Cagbacong, Legaspi City, Albay	DATE 05-2021
Sheet Content AS SHOWN	Sheet No. 

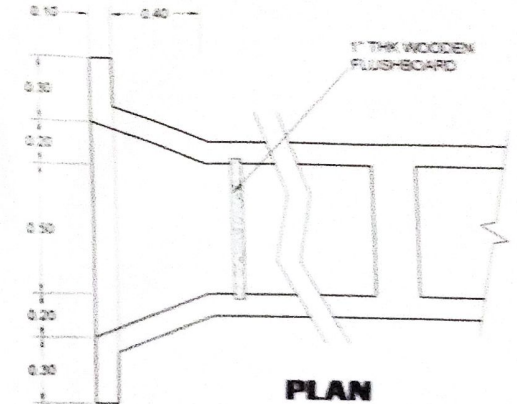




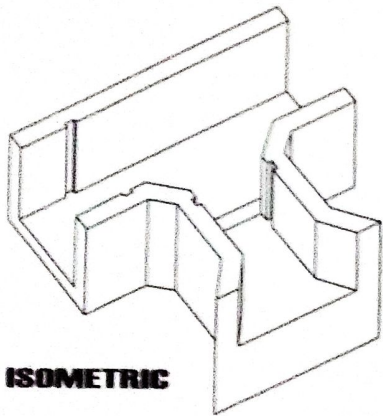
**PLAN**



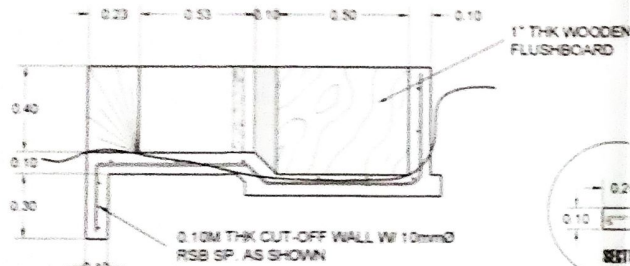
**ISOMETRIC**



**PLAN**

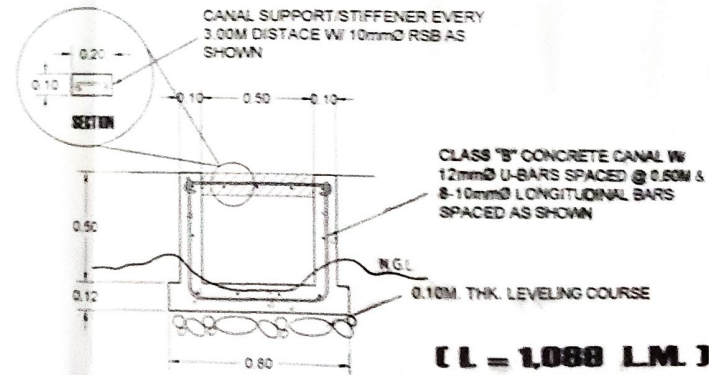


**ISOMETRIC**



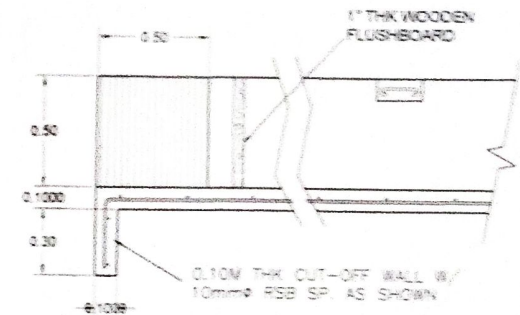
**SECTION**

**DETAIL OF TURN-OUT**



**[ L = 1.088 LM ]**

**DETAIL OF CONC. CANAL**



**SECTION**

**DETAIL OF END CHECK**



REPUBLIC OF THE PHILIPPINES  
DEPARTMENT OF AGRICULTURE  
REGIONAL FIELD UNIT NO. 5  
SAN AGUSTIN, PULI, CAMARINES SUR

Prepared by	Checked by	Reviewed by	Submitted by	Specimenizing Approval	Approved by
 <b>BEL JOSEPH D. RONITO</b> <small>Engineer I</small>	 <b>ARTHUR B. MIRA</b> <small>Engineer I</small>	 <b>FERN A. EBONA</b> <small>Division Office Engr. II</small>	 <b>GILBERT S. SALCEDO</b> <small>Engr. - Civil, L-150</small>	 <b>LUZ R. MARCELINO</b> <small>RTD - for Operation and Extension</small>	 <b>RODELL TORILLA MABRE</b> <small>Regional Executive Director</small>

Name of Project	Date
Canal Repair and Extension of Cagbacong Diversion Dam	24/7/21
Location	Engr. Cagbacong, Legaspi City, Albay
Sheet Contents	AS SHOWN