

REPUBLIC OF THE PHILIPPINES
DEPARTMENT OF AGRICULTURE
REGIONAL FIELD UNIT NOLS
SAN AGUSTIN, PULI, CAMARINES SUR.

PROJECT TITLE

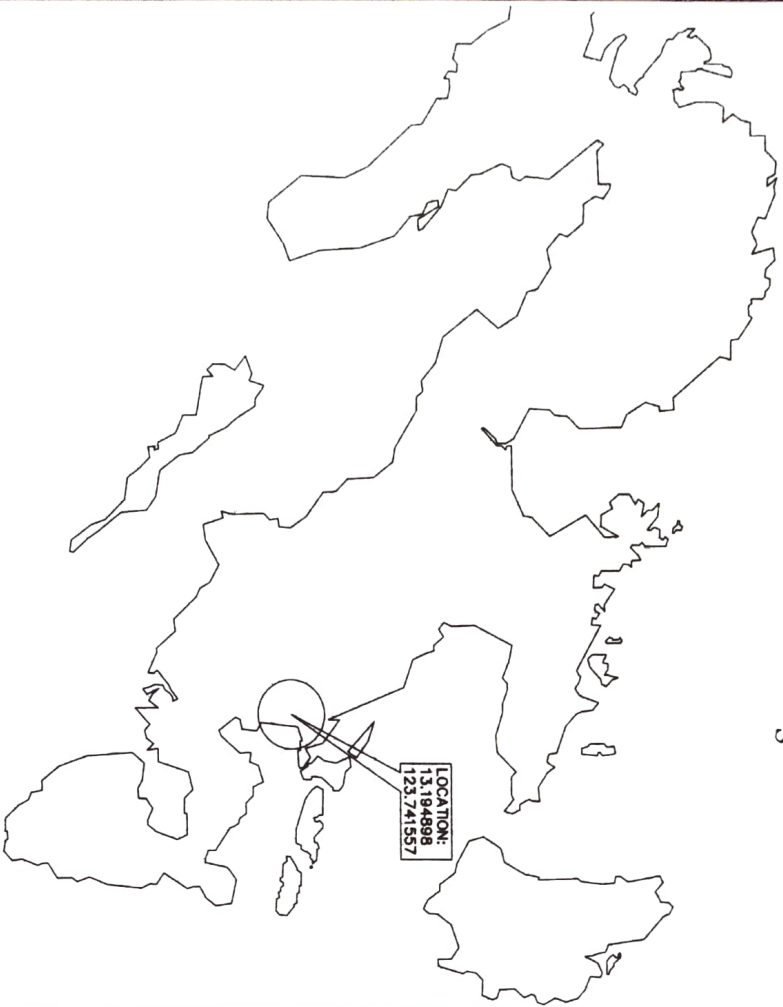
P R O P O S E D :

**CONSTRUCTION OF BAGONG ABRRE
CHECK-INTAKE STRUCTURE**

LOCATION: BAGONG ABRRE, LEGAZPI CITY, ALBAY

PREPARED BY:
RAID OFFICE





1 LOCATION PLAN
Scale: 1:1MTS

SHEET NO.	SHEET CONTENT
1	1 = LOCATION PLAN 2 = SHEET CONTENT
2	3 = FARM PLAN INTAKE STRUCTURE
3	D = GENERAL PLAN D1 = DOWN STREAM SECTION D2 = UP STREAM SECTION D3 = SECTION THRU "D3" D4 = SECTION THRU "D4" D1 = COLLAPSIBLE GATE DETAIL D5 = SECTION THRU "D5"
4	D2 = DETAIL OF GATE POST I1 = DETAIL OF RCP I2 = DETAIL OF DIKE RESTORATION I3 = PROFILE ALONG CANAL
5	I4 = DETAILS OF CANAL I5 = DETAILS OF DIVISION BOX
6	4 = PROJECT BILLBOARD 5 = PERMANENT MARKER

2 SHEET CONTENT
Scale: 1:1MTS



Department of Agriculture
REGIONAL FIELD
OFFICE No. 5
SAN AGUSTIN PUL. CALABANGS SAN
REGIONAL AGRICULTURAL
ENGINEERING DIVISION

Title: **CONSTRUCTION OF PASONG ABRE CHECK-INTAKE STRUCTURE**
By: Engr. Son S. Lopez, Civ. Engr.
AS-SHOW

Prepared by: **JADRIAYOTE**
Technical Staff

Checked by: **ARTHUR R. MIRA**
Engineer II

Reviewed by: **GERRY A. BERNA**
Team LEADS

Noted by: **NILDA T. LABIANO**
Checked

Recommending Approval: **LIZ R. MARCELIANO**
RTM for Operations and Extension

Approved: **RODEL E. TONULLA MABE**
Regional Executive Director

Title: **CONSTRUCTION OF BAGONG ABRE CHECK-INTAKE STRUCTURE**
 Project: **Bagong Abre, Laguna City, Albay**
 Farm Plan

Prepared by: **JAD R. ATOLE**
 Technical Staff

Checked by: **ARTHUR B. MIRA**
 Engineer II

Reviewed by: **JERRY A. EBONIA**
 Head, EPDSS

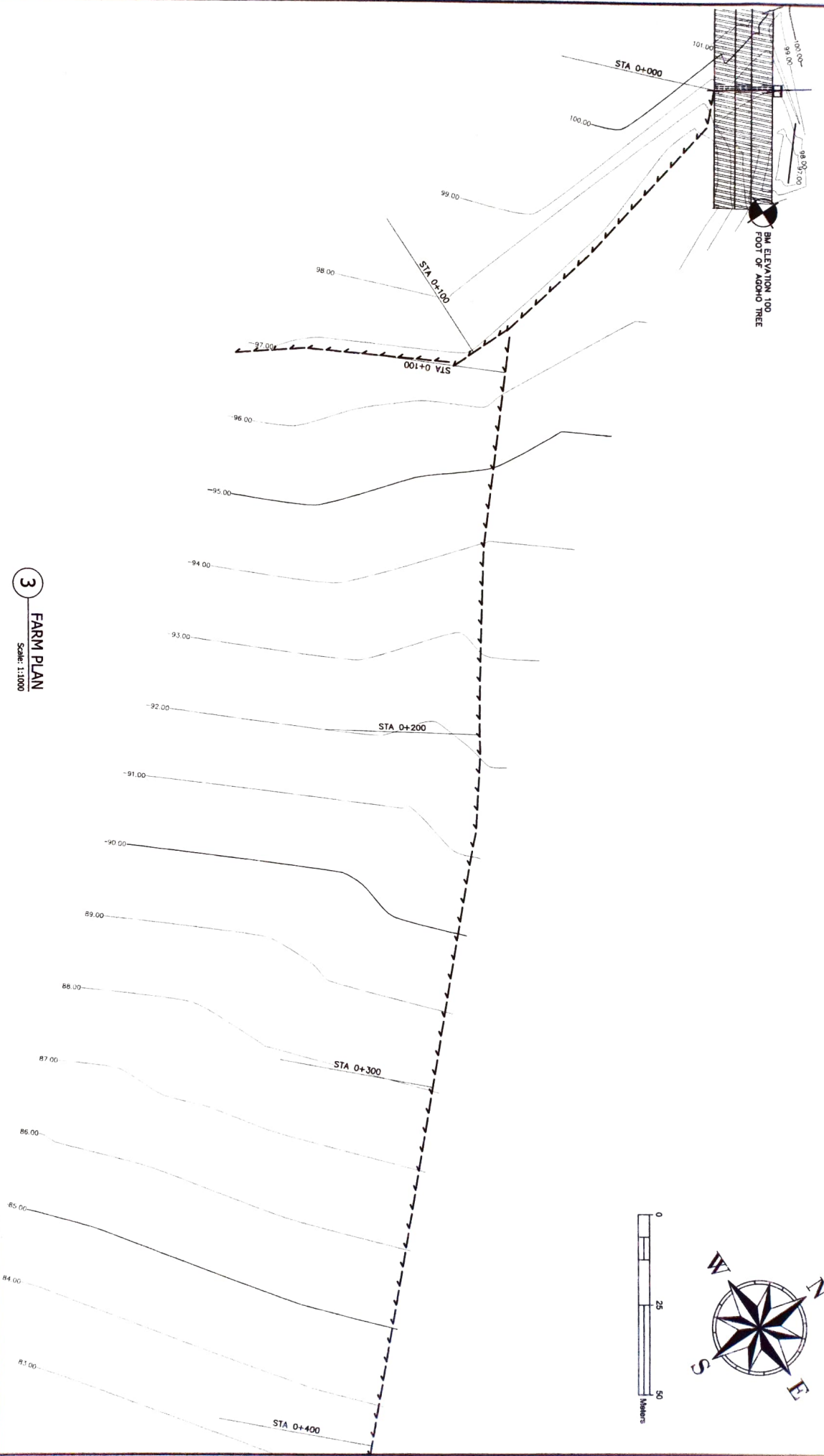
Noted by: **NILDA ALIBANO**
 Chief, OED

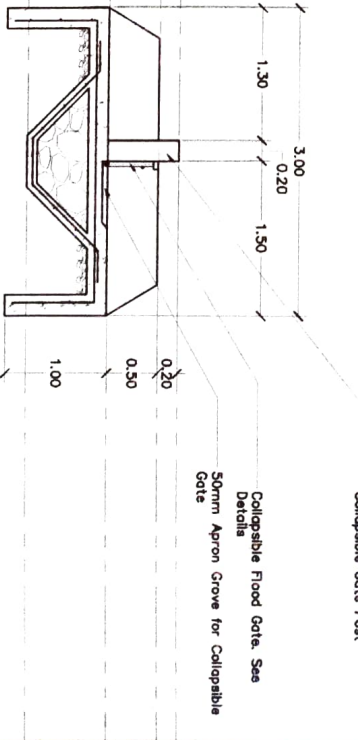
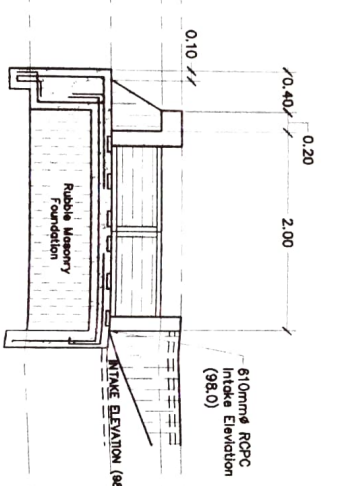
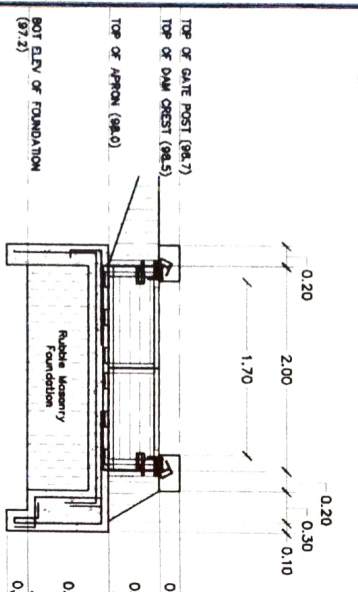
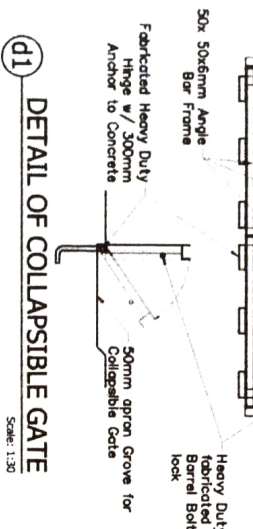
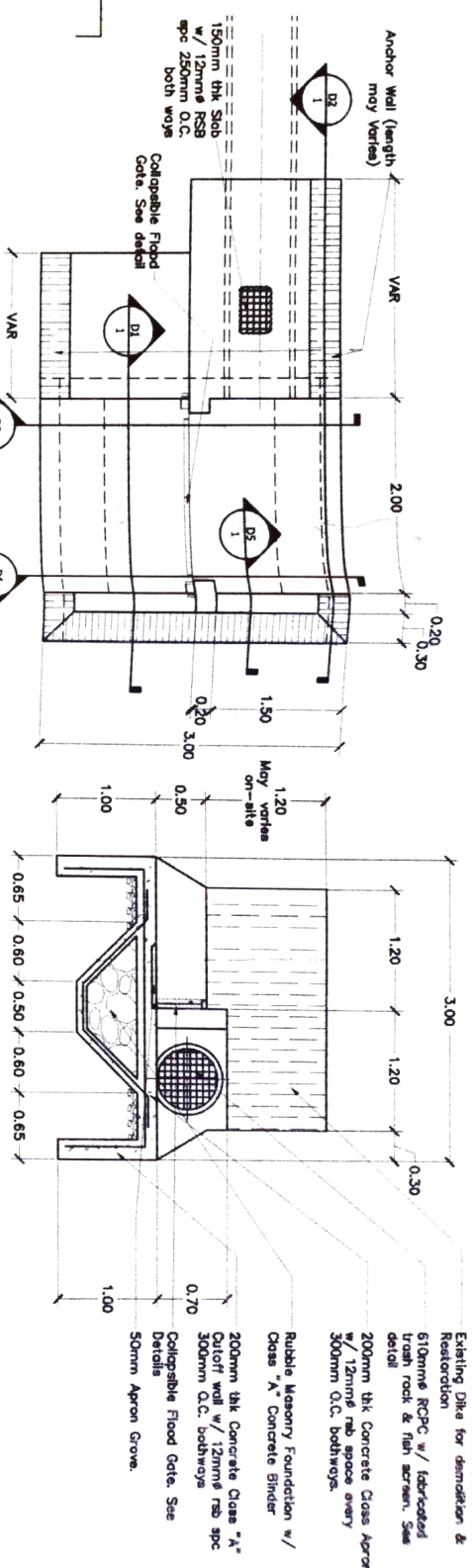
Recommending Approval: **LIZ R. MARCELINO**
 NTO or Supervisor and Estimator

Approval: **RODEL TORNILLA MABE**
 Regional Section Director

Page No. **2** of **5**

3
FARM PLAN
 Scale: 1:1000





Department of Agriculture
REGIONAL FIELD OFFICE NO. 5
SALADIN TALLAMBERS SA
REGIONAL AGRICULTURAL ENGINEERING DIVISION

CONSTRUCTION OF MAGONS ABE CHECK-INTAKE STRUCTURE
BY: Bayang Aye, Legaspi City, Albay
AS-SHOWN

Prepared by:
JAD BALAYOTE
Technical Staff

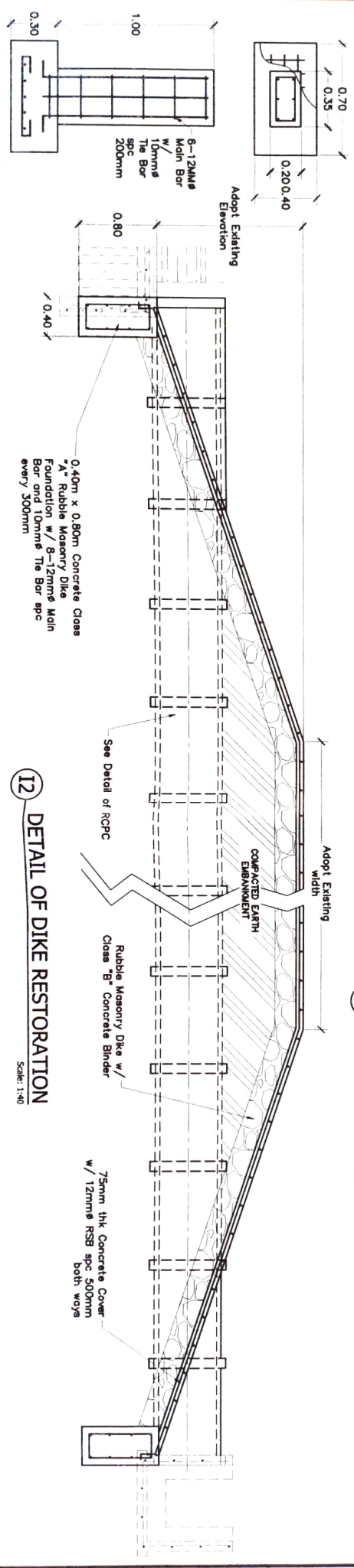
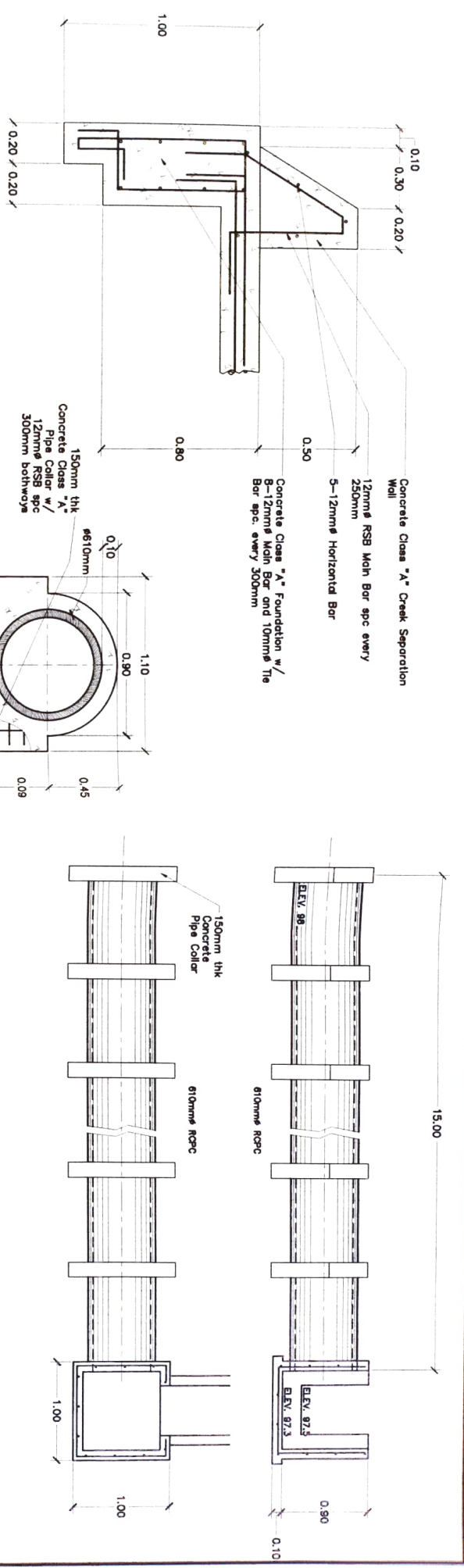
Checked by:
ARTHUR M. MIRA
Engr. III

Reviewed by:
JERRY A. EBORA
Team LEADER

Noted by:
NILDA ALVARADO
Civil Engr.

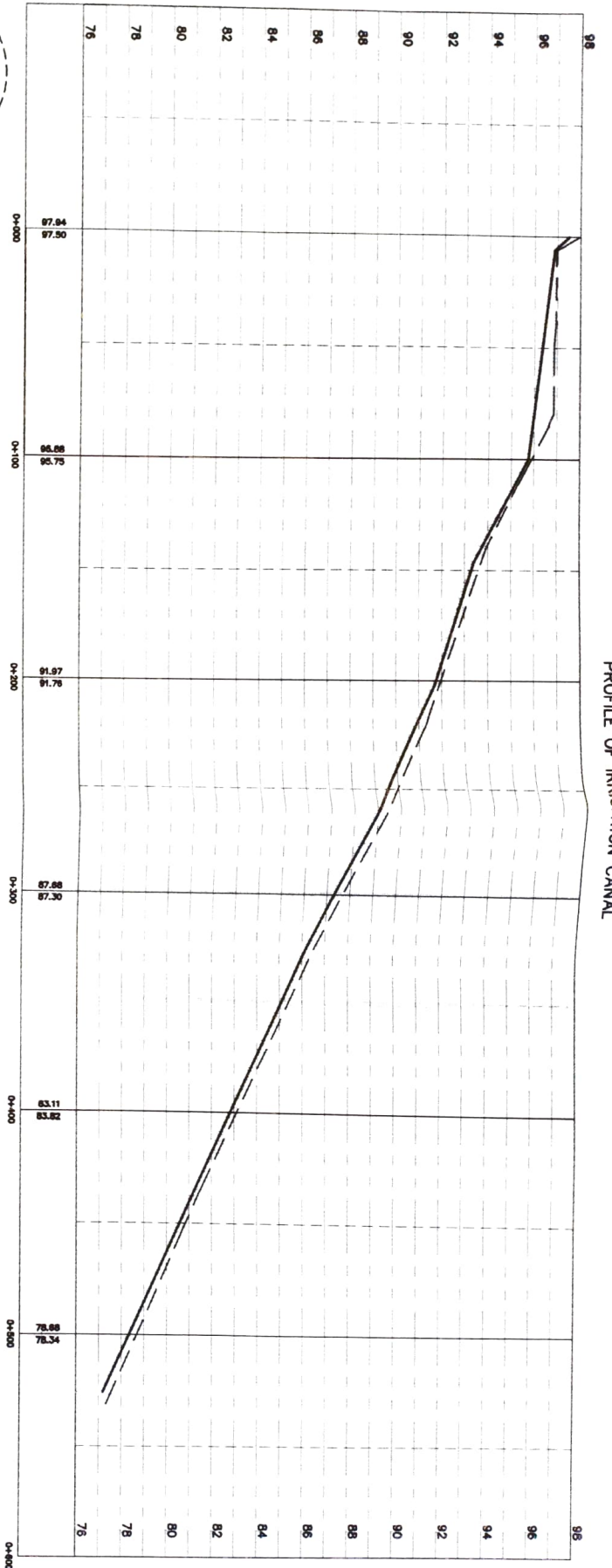
Recommending Approval:
LIZ B. MARCELINE
RTS for Operation and Estimation

Approved:
RODEL TORRILLANA MARBE
Regional Engr. in Charge

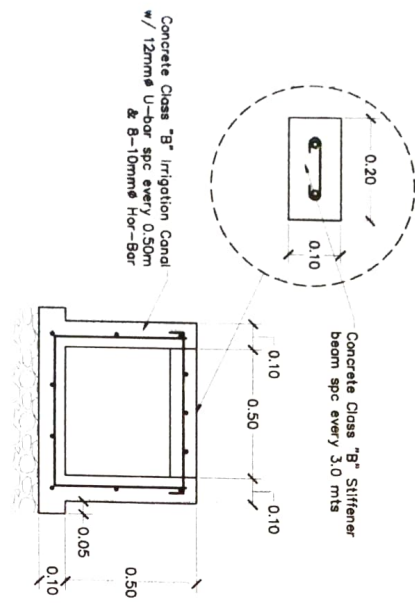


		Department of Agriculture REGIONAL FIELD OFFICE NO. 5 SAN ANTONIO, PALAWAN, PHILIPPINES 5810 REGIONAL AGRICULTURAL ENGINEERING DIVISION		Title: CONSTRUCTION OF BARONG ABRE CHECK-INTAKE STRUCTURE Brgy. Bangoy, Tula, Upiayan Cbr., Aboey Sheet Content: AS-SHOWN		Prepared by: JADER ATOLE Technical Staff		Checked by: APRILYN B. MIRA Engineer II		Reviewed by: JERRY A. EGONIA Senior Engineer		Noted by: NILDA T. MARIANO Civil Engineer		Recommending Approval: LIZ R. MARCELINE RMT for Operation and Supervision		Approved: RODEL B. TORREALA MABE Regional Engineering Director		Page No: 4/6	
--	--	--	--	---	--	--	--	---	--	--	--	---	--	---	--	--	--	--------------	--

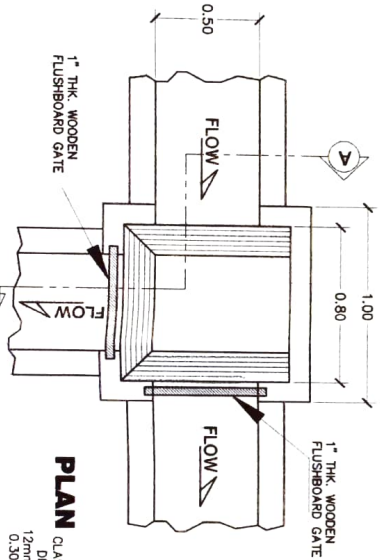
PROFILE OF IRRIGATION CANAL



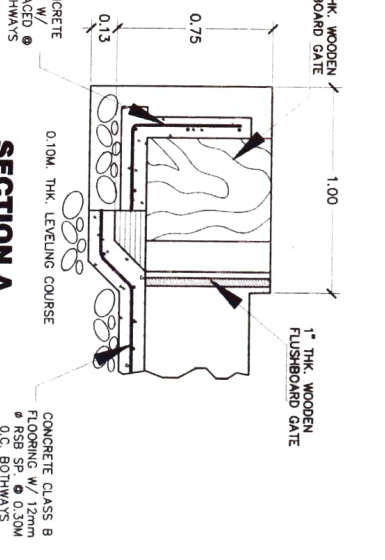
13 PROFILE ALONG CANAL
Scale: 1/4"=1200' (1:4800)



14 DETAIL OF CANAL (L=957)
Scale: 1:20



15 DETAIL OF DIVISION BOX
Scale: 1:25



SECTION A
CONCRETE CLASS B FLOORING W/ 12mm RSB SP @ 0.30M O.C. BOTHWAYS
0.10M THK. LEVELING COURSE
1" THK. WOODEN FLUSHBOARD GATE
1" THK. WOODEN FLUSHBOARD GATE
1" THK. WOODEN FLUSHBOARD GATE
1" THK. WOODEN FLUSHBOARD GATE
CLASS "B" CONCRETE DIVISION BOX W/ 12mm RSB SPACED @ 0.30M O.C. BOTHWAYS

CONSTRUCTION OF BAHONG ABNE CHECK-LIFTAKE STRUCTURE
By: Rogeyn Ane Lagarda City, Alay
AS-SHOWN

Prepared by:
JAD RILATOLE
Technical Staff

Checked by:
ARTHUR B. MIRA
Engr. III

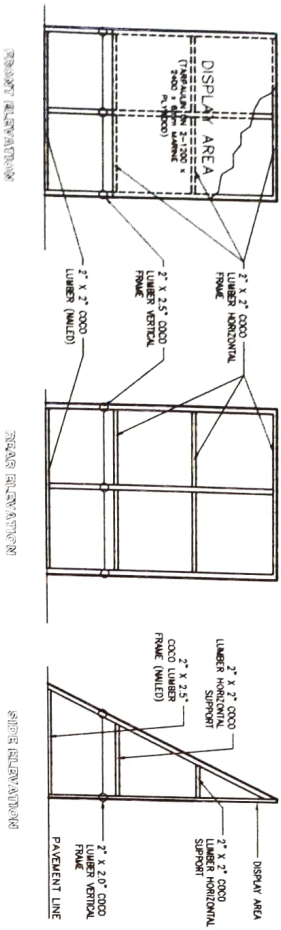
Reviewed by:
JERRY A. EBONA
Senior Engr.

Noted by:
NILDA TORRANO
Chief Engr.

Supervising Approval:
LUIZ R. MARCELO
RD for Operation and Extension

Approved:
RODEL P. TORRILLA, MABE
Regional Engineering Director

4 PROJECT BILLBOARD
Scale: 1:1NTS



2.44

DEPARTMENT OF AGRICULTURE
REGIONAL FIELD OFFICE NO. 5
SAN MARCOS FIELD OFFICES Bldg.

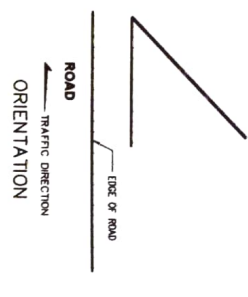
Project: _____
 Cost: _____
 Location: _____
 Fund Source: _____
 Contractor: _____
 Brief Description of Project: _____

Project Date: _____

NO.	DATE	BY	FOR	REVISION

Notes: 1. Materials shall be as specified in the contract documents.
 2. Materials shall be as specified in the contract documents.
 3. Materials shall be as specified in the contract documents.

Drawn by: _____
 Checked by: _____
 Date: _____



ROAD TRAFFIC DIRECTION
 ORIENTATION
 EDGE OF ROAD

5 PERMANENT MARKER
Scale: 1:1NTS

