

REPUBLIC OF THE PHILIPPINES

DEPARTMENT OF AGRICULTURE

REGIONAL FIELD UNIT NO.5
SAN AGUSTIN, P.I.I., CAMARINES SUR.

PROJECT TITLE:

**CONSTRUCTION OF CANAL EXTENSION
OF MAMBULO DIVERSION DAM**
LOCATION: BRGY. MAMBULO VEDJO, URMAMAN, CAMARINES SUR

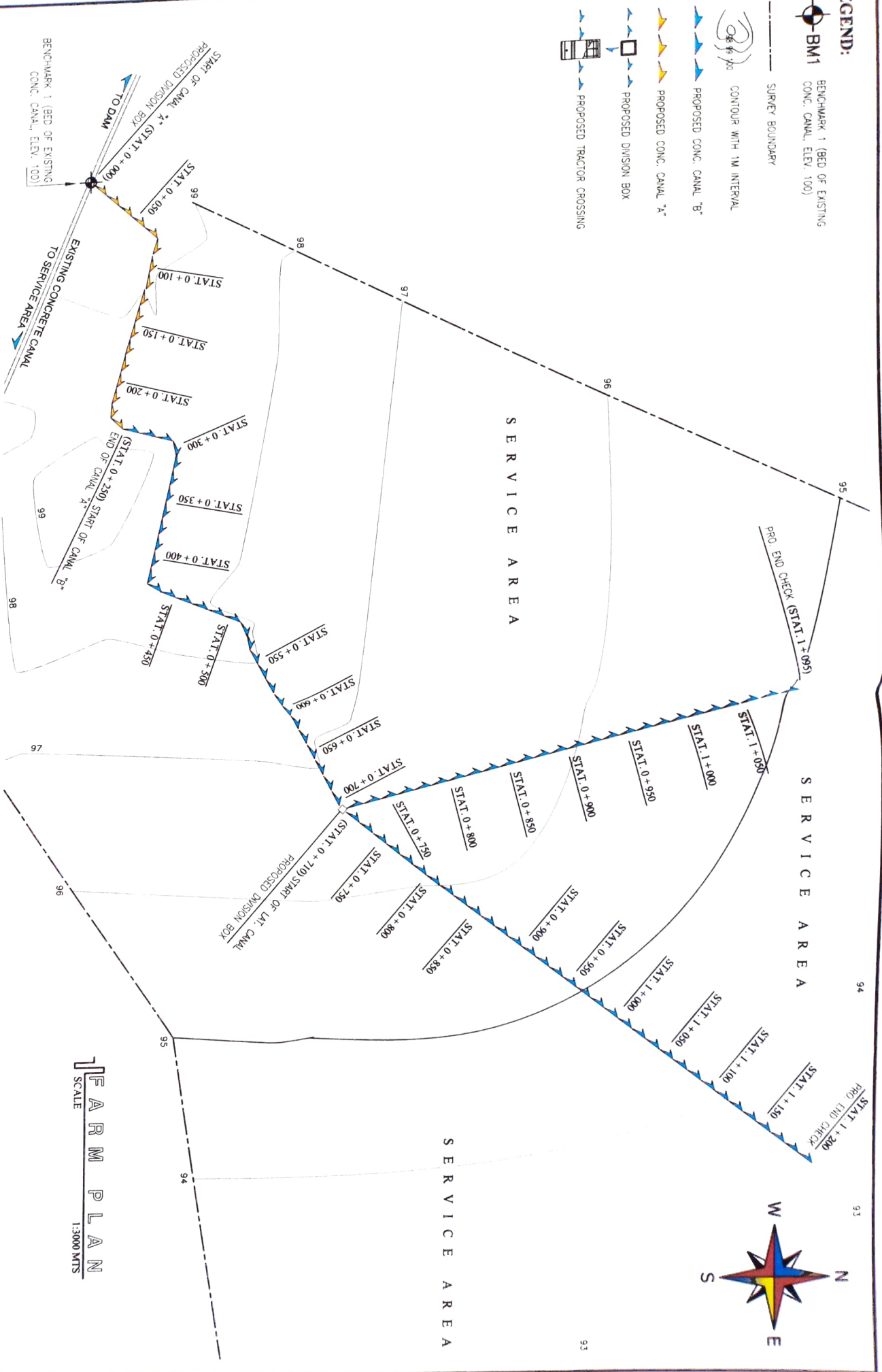
PREPARED BY:

RAED OFFICE



LEGEND:

- BENCHMARK 1 (BED OF EXISTING CONC. CANAL, ELEV. 100)
- SURVEY BOUNDARY
- CONTOUR WITH 1M INTERNAL
- PROPOSED CONC. CANAL "B"
- PROPOSED CONC. CANAL "A"
- PROPOSED DIVISION BOX
- PROPOSED TRACTOR CROSSING



FARM PLAN
SCALE 1:3000 MTS



REPUBLIC OF THE PHILIPPINES
DEPARTMENT OF AGRICULTURE
REGIONAL FIELD UNIT NO. 5
SAN AGUSTIN, PULU CAVARINES SUR

Name of Project CONSTRUCTION OF CANAL EXTENSION OF MAMBULO DD		Prepared by ENGR. ARDREY P. TAPIA Technical Staff		Checked by ENGR. MARTIN B. MIRA Assistant II, District Engineer		Reviewed by ENGR. SERRY A. ENORA Engineer III, District Engineer		Submitted by ENGR. MITHA T. ALBARO Engineer V (Civil/RAED)		Recommending Approval LUDW. MARK ELINO ETD for Operations and Extension		Approved by RODEL TORREALA MABE Regional Engineer		Date by 2 / 6	
Location Brgy. Mambulo Vego, Lihiranan, Camarinés Sur		Hand Source 2022 RICE PROGRAM (Tier 1)		AS SHOWN											



REPUBLIC OF THE PHILIPPINES
 DEPARTMENT OF AGRICULTURE
 REGIONAL FIELD UNIT NO. 5
 SAN AGUSTIN, PULI, CAMARINES SUR

Name of Project		CONSTRUCTION OF CANAL EXTENSION OF MAMBOLOD	
Location		Brgy. Mambolo, Vago, Libmanan, Camarines Sur	
Fund Source		Special Account	
2022 RICE PROGRAM (Tier 1)		AS SHOWN	

Prepared by:
 ENGR. ARYA V. P. TAMPA
 Technical Staff

Checked by:
 ENGR. ARTHUR B. MIRA
 Engineer II, District Head

Reviewed by:
 ENGR. JERRY A. EBONA
 Engineer II, District Science Head

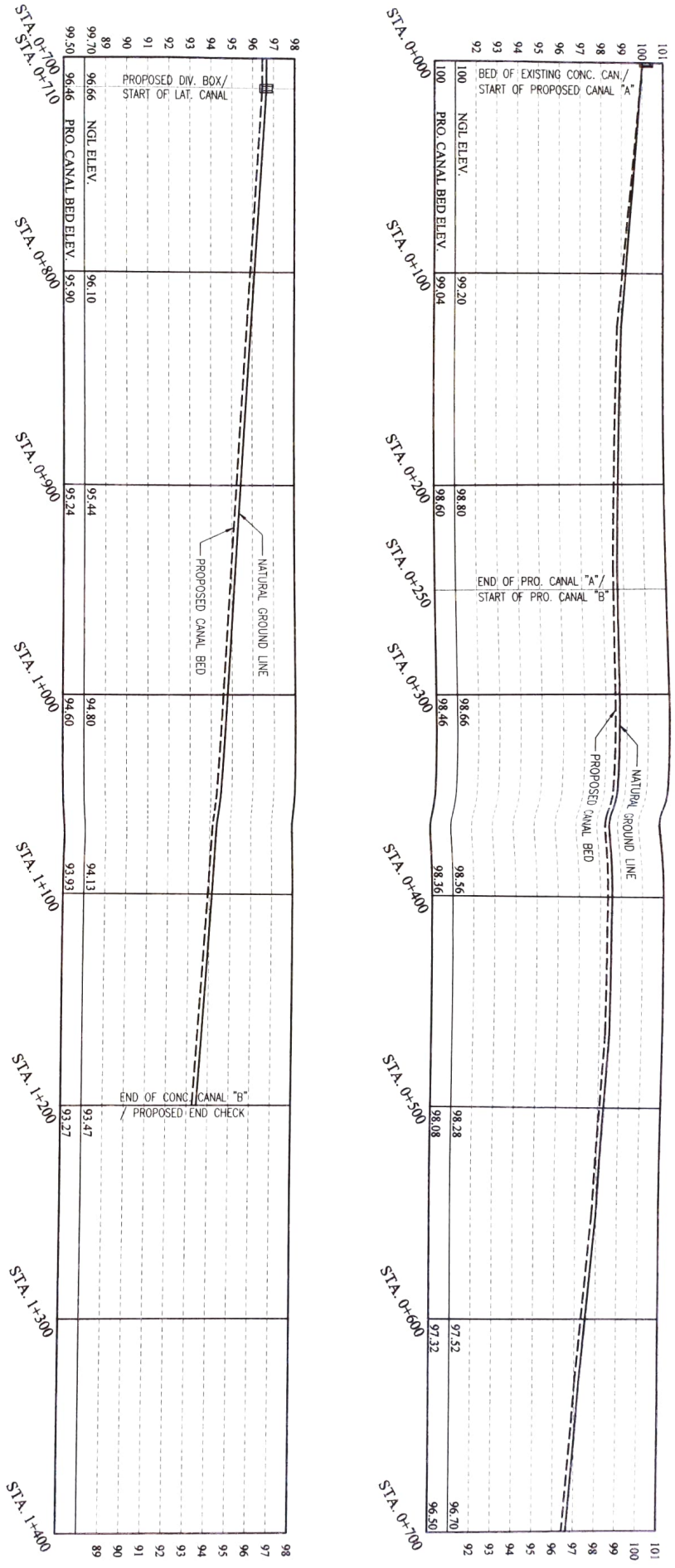
Submitted by:
 ENGR. NIXON T. ALBARNO
 Engineer I, District Head

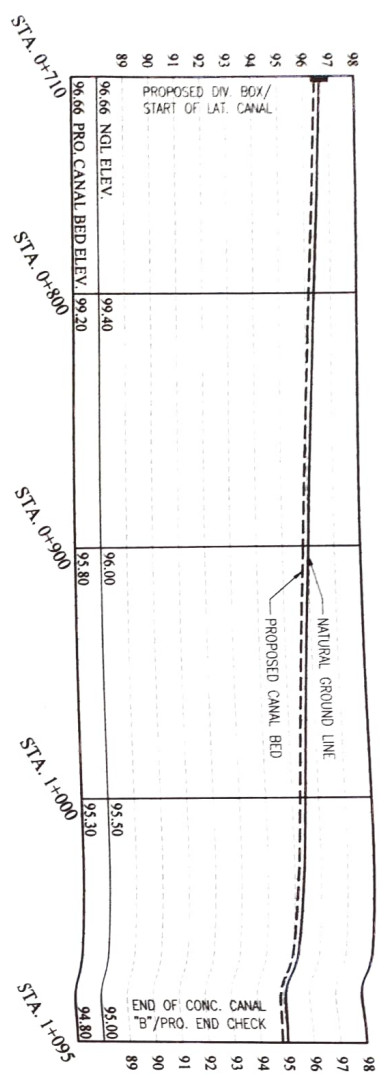
Recommending Approval:
 LIZ R. MARCELENO
 RUP for Operations and Extension

Approved by:
 RODOLFO FORNIA, MARE
 District Engineer

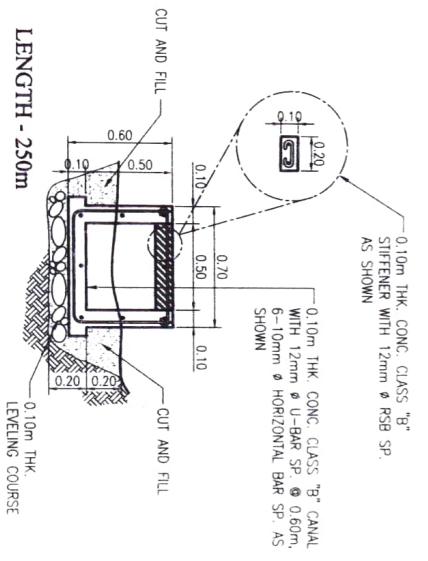
DATE	3/28/2022
Sheet No.	3
Total	6

PROFILE ALONG CENTER OF CANAL EXTENSION
 SCALE V-1:100, H-1:1200 MTS

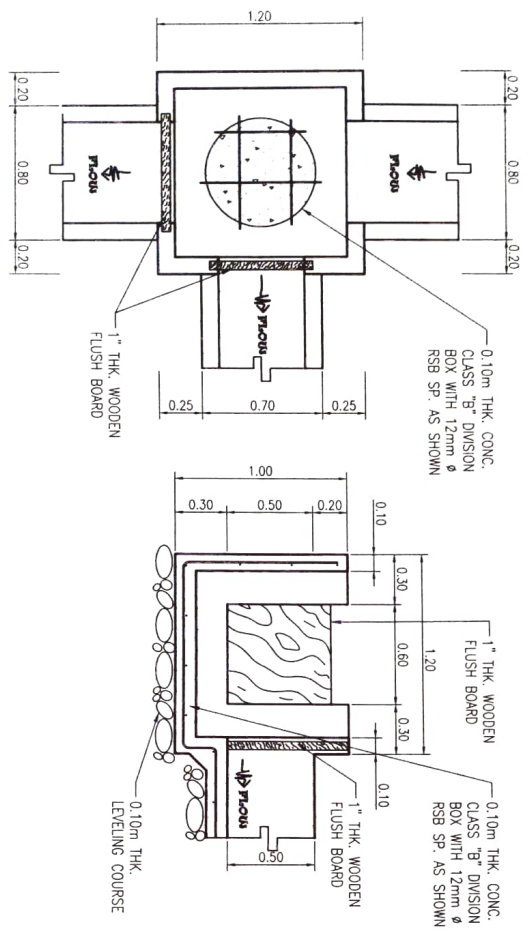




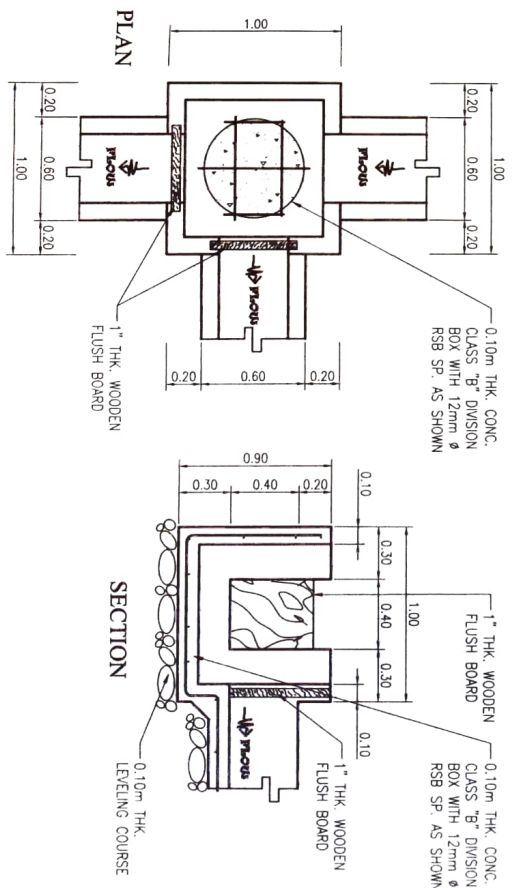
PROFILE ALONG CENTER OF LAT. CANAL
SCALE
V:1:100, H:1:1200 MTS



TYPICAL CANAL "A" DETAIL
SCALE
1:30 MTS



DIVISION BOX AT STAT. 0+000
SCALE
1:30 MTS



DIVISION BOX AT STAT. 0+710
SCALE
1:30 MTS



REPUBLIC OF THE PHILIPPINES
DEPARTMENT OF AGRICULTURE
REGIONAL FIELD UNIT NO. 5
SAN AGUSTIN, PULI, CAVARINES SUR

Name of Project	CONSTRUCTION OF CANAL EXTENSION OF MAMBOLU D/D	
Location	Brgy. Mambolo Visjo, Lihmann, Cavarines Sur	
Fund Source	2022 RICE PROGRAM (Tr 1)	
Drawn by	AS SHOWN	

Prepared by:
ENGR. ADAR TAPIA
Technical Staff

Checked by:
ENGR. ARTHUR B. MIRA
Team Lead / Project Lead

Reviewed by:
ENGR. JERRY A. EBONA
Equipment & Process Section Head

Submitted by:
ENGR. MARTIANO
Equipment & Process Section Head

Recommending Approval:
LUZ R. MARCELTINO
PTD for Operations and Extension

Approved by:
RODEL P. FORNIA, MARE
Regional Executive Director

DATE	APPROVED
4/20/23	
Sheet No.	4/5



DEPARTMENT OF AGRICULTURE
 REPUBLIC OF THE PHILIPPINES
 DEPARTMENT OF AGRICULTURE
 REGIONAL FIELD UNIT NO. 5
 SAN AUSTIN, P.L. CAMARINES SUR

Name of Project		CONSTRUCTION OF CANAL EXTENSION OF MAABOLO DD	
Location	Brgy. Mambulo Vago, Lihuman, Camarines Sur		
Fund Source	Shaw Contract	AS SHOWN	
2022 RICE PROGRAM (Tr-1)			

Prepared By:

 ENGR. ALAN P. TANIA
 Technical Staff

Checked By:

 ENGR. ARHUR B. MIRA
 Chief Engineer

Reviewed By:

 ENGR. JERRY A. EBROZA
 Engineer III, Design Section Head

Submitted By:

 ENGR. MILDA P. ALBARANO
 Engineer V

Recommended/By Approval:

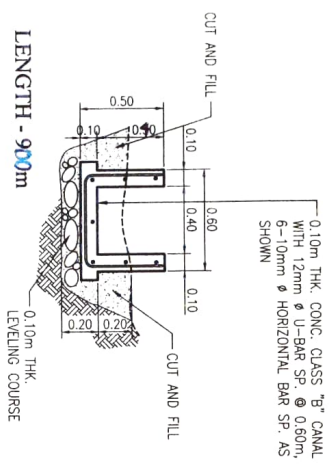
 LIZA R. MARFENO
 Sp. for Operations and Extension

Approved By:

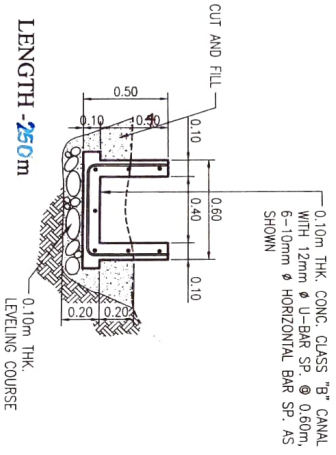
 RODELL P. ZORNILLA MAAB
 Regional Executive Director

DATE	2022
Sheet No.	5
Total	6

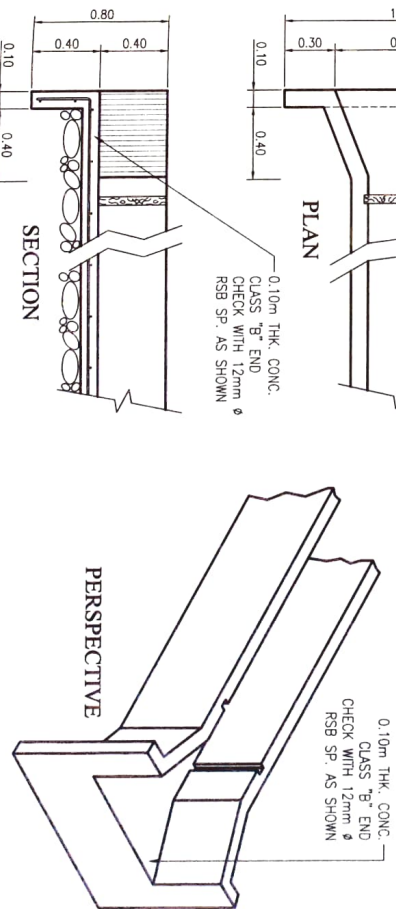
TYPICAL CANAL "B" DETAIL
 SCALE 1:30 MTS



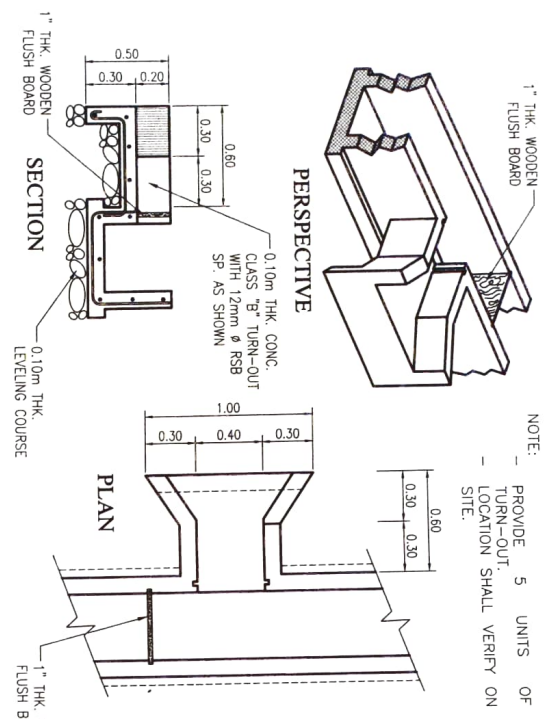
LATERAL CANAL DETAIL
 SCALE 1:30 MTS



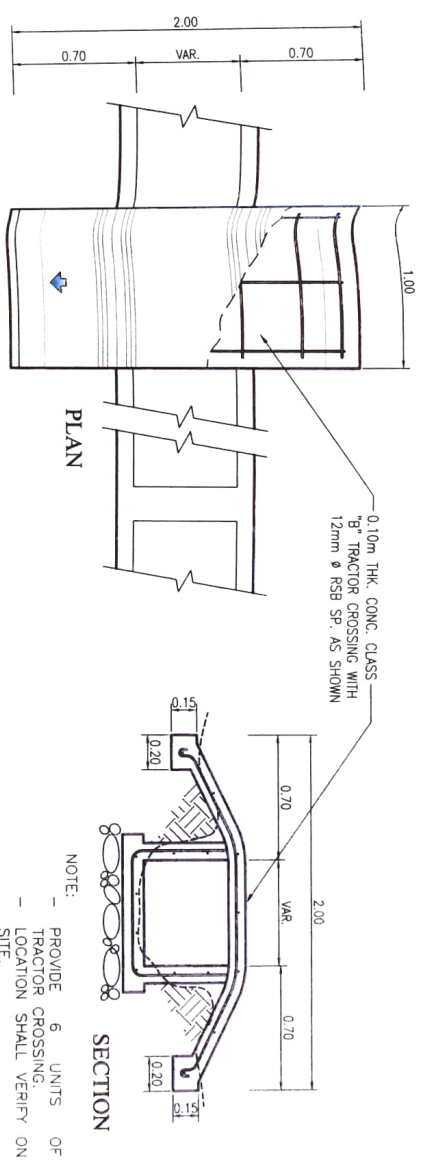
TYPICAL END CHECK DETAIL
 SCALE 1:30 MTS



TYPICAL DETAIL OF TURN-OUT
 SCALE 1:30 MTS



TYPICAL TRACTOR CROSSING DETAIL
 SCALE 1:30 MTS



NOTE:
 - PROVIDE 5 UNITS OF TURN-OUT. SMALL VERIFY ON SITE.

NOTE:
 - PROVIDE 6 UNITS OF TRACTOR CROSSING. LOCATION SHALL VERIFY ON SITE.

NOTE:
 - PROVIDE 2 UNITS OF END CHECK AT THE END OF CANAL "B" AND LATERAL CANAL.

