

REPUBLIC OF THE PHILIPPINES
DEPARTMENT OF AGRICULTURE
REGIONAL FIELD UNIT NO. 5
SAN AGUSTIN, PULI, CAMARINES SUR.

PROJECT TITLE:

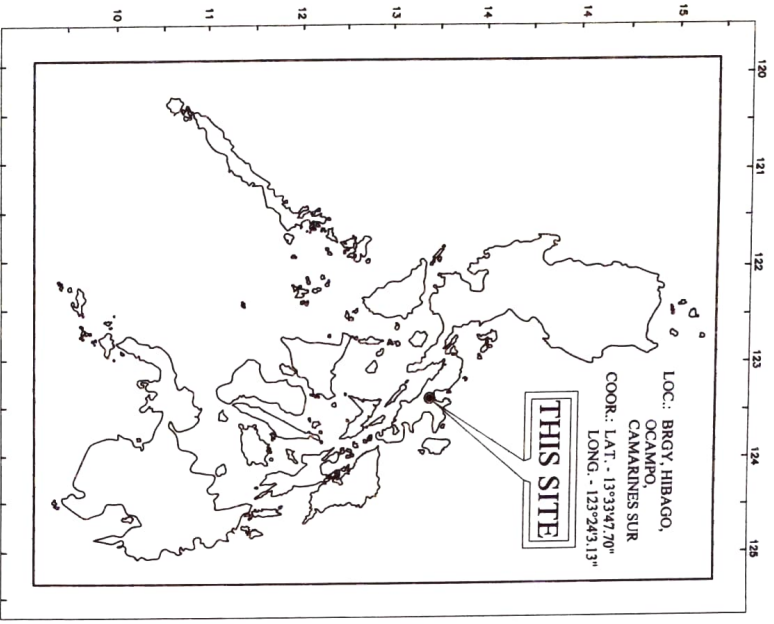
**CONSTRUCTION OF HIBAGO
DIVERSION DAM**
LOCATION: BRGY. HIBAGO, OCAMPO, CAMARINES SUR

PREPARED BY:
RAED OFFICE




SHEET CONTENT :


A3 1 11 1	LOCATION MAP AND SHEET CONTENT
A3 2 11 1	FARM PLAN
A3 3 11 1	FARM PLAN
A3 4 11 1	SITE DEVELOPMENT PLAN
A3 5 11 1	SECTION THRU A'A, B'B,
A3 6 11 1	SECTION THRU C'C, D'D, END SILL DETAIL
A3 7 11 1	SECTION THRU E'E, SPILL GATE DETAIL
A3 8 11 1	PROFILE ALONG CENTER OF EARTH CANAL
A3 9 11 1	PROFILE ALONG CENTER OF EARTH CANAL, DIVISION BOX DET., CANAL WITH COVER DET.
A3 10 11 1	CANAL STRUCTURES DETAIL
A3 11 11 1	BILLBOARD AND CONCRETE MARKER DETAIL





LOCATION MAP

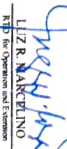
Name of Project:		CONSTRUCTION OF HIBAGO DIVERSION DAM	
Location:	Brgy. Hibago, Occampo, Camarines Sur	Sheet Content:	AS SHOWN
Field Source:	2022 RICE PROGRAM (Tier 1)		


Prepared by:

ENGR. ARDAY P. TANIA
 Technical Staff

Checked by:

ENGR. MATTHEW B. MIRA
 Licensed Professional Engineer (IL-12853) Civil Field

Reviewed by:

ENGR. JERRY A. ERONA
 Registered Professional Engineer (IL-12853) Civil Field

Submitted by:

ENGR. NIREN M. ALBANO
 Engineer (Field) AID

Recommending Approval:

LIZZ R. MARTELINO
 RFB for Operations and Extension

Approved by:

RODEL P. TORNILLA MAAB
 Regional Executive Director

LEGEND:

BM1 BENCHMARK 1 (TOP OF EXISTING DAM CREST, ELEV. 100)

SURVEY BOUNDARY

CONTOUR WITH 1M INTERVAL

PROPOSED MAIN CANAL W/ COVER

PROPOSED MAIN CANAL W/O COVER

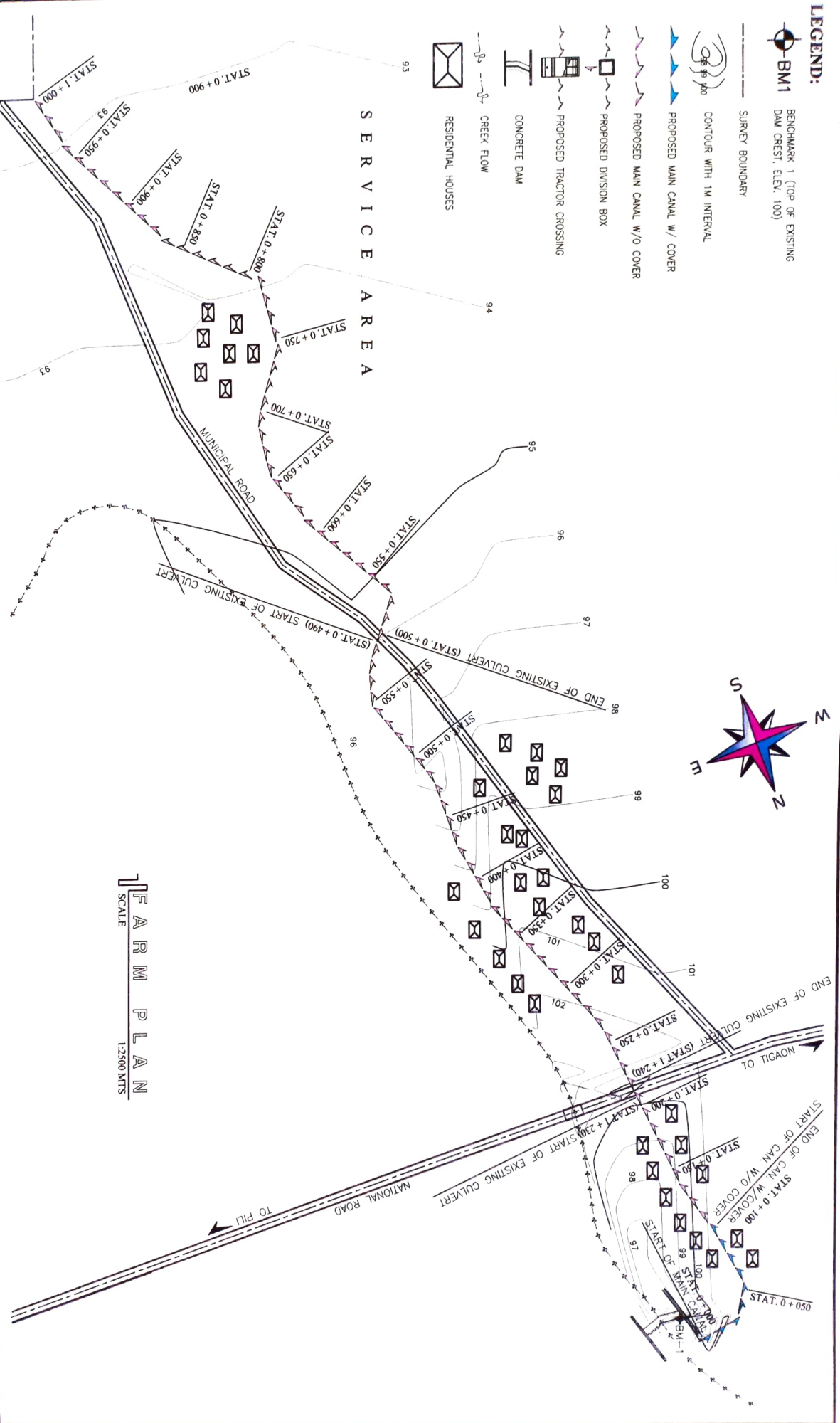
PROPOSED DIVISION BOX

PROPOSED TRACTOR CROSSING

CONCRETE DAM

CREEK FLOW

RESIDENTIAL HOUSES

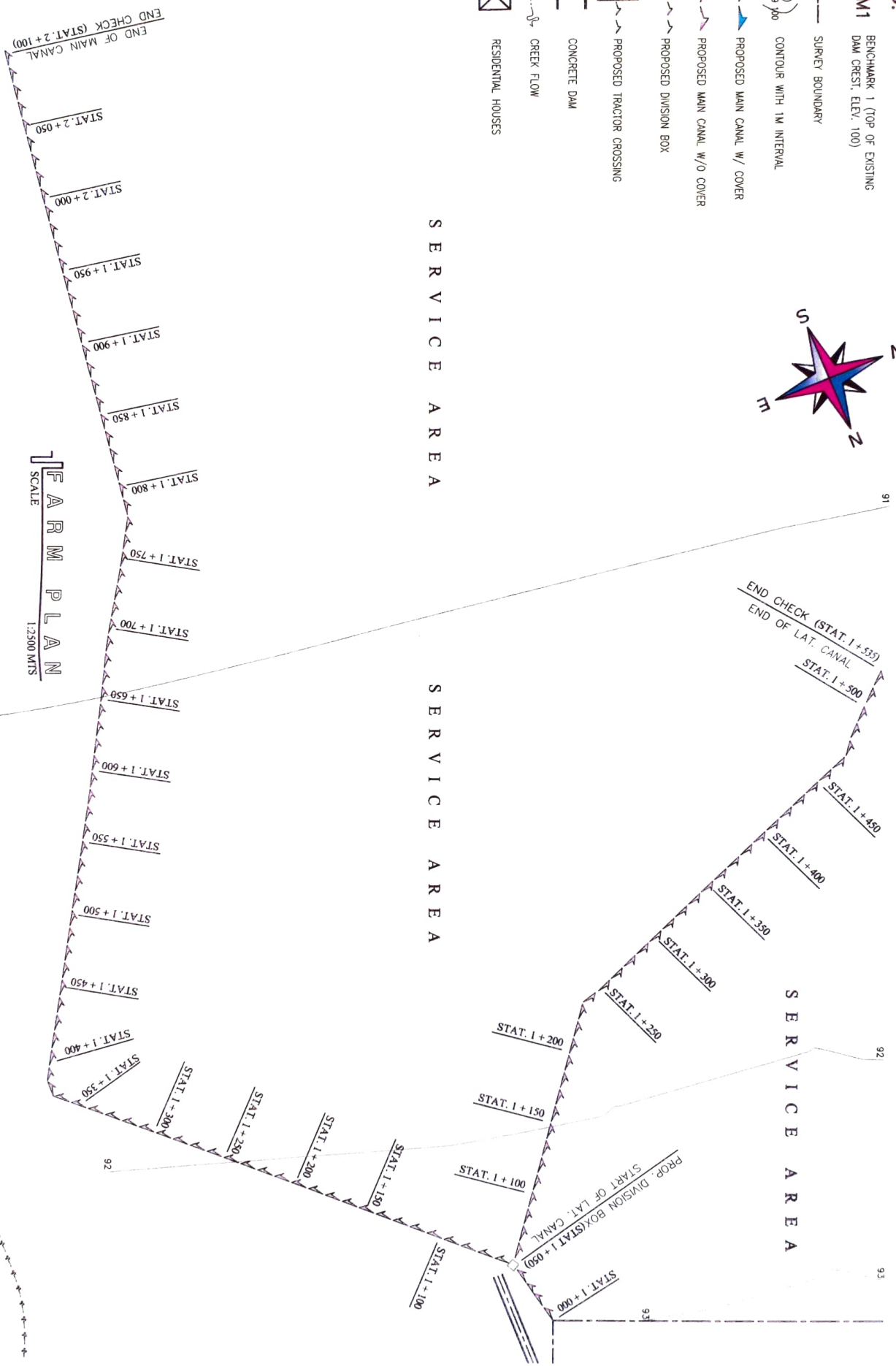


REPUBLIC OF THE PHILIPPINES
DEPARTMENT OF AGRICULTURE
REGIONAL FIELD UNIT NO. 5
SAN AGUSTIN, P.I.L. CAMARINES SUR

Name of Project: CONSTRUCTION OF HIBAGO DIVERSION DAM		Prepared by: ENGR. ARMY P. TAPIA <i>Technical Staff</i>	Checked by: ENGR. ARTHUR B. MIRA <i>Engineer in Charge</i>	Reviewed by: ENGR. HENRY A. ERONIA <i>Engineer in Charge</i>	Submitted by: ENGR. RICHARD T. ALBANO <i>Engineer in Charge</i>	Recommending Approval: LITZ R. MARCELINO <i>Regional Extension and Extension</i>	Approved by: RODEL P. TORNILLA, MABE <i>Regional Extension Director</i>
Location: Brgy. Higabog, Ocampo, Camarines Sur	Special Concern: AS SHOWN						
End Source: 2022 RICE PROGRAM (Tier 1)							
DATE: 28/11	SCALE: 1:2500 MTS						

LEGEND:

- BM1** BENCHMARK 1 (TOP OF EXISTING DAM CREST, ELEV. 100)
- SURVEY BOUNDARY
- CONTOUR WITH 1M INTERVAL
- PROPOSED MAIN CANAL W/ COVER
- PROPOSED MAIN CANAL W/O COVER
- PROPOSED DIVISION BOX
- PROPOSED TRACTOR CROSSING
- CONCRETE DAM
- CREEK FLOW
- RESIDENTIAL HOUSES



SERVICE AREA

SERVICE AREA

SERVICE AREA

Name of Project: CONSTRUCTION OF HIBAGO DIVERSION DAM		Prepared by: ENGR. ARJAY P. TAPIA Technical Staff	Checked by: ENGR. ANITA B. MIRA Engineer III, Project Services Unit	Reviewed by: ENGR. JERRY A. ERONA Engineer III, Project Services Unit	Submitted by: ENGR. NILEVA ALBANO Engineer I, Civil Engr.	Accompanying Approval: LIZ R. MARCELINO RTD, Civil Engineering and Surveying	Approved by: RODEL P. TORNILLA YABE Regional Damways Division
Location: Brgy. Higabog, Ocampo, Camarines Sur	Special Concern: AS SHOWN						
Fund Source: 2022 RICE PROGRAM (Trt 1)							
Drawn by: 3/11	DATE: 2021						



REPUBLIC OF THE PHILIPPINES
 DEPARTMENT OF AGRICULTURE
 REGIONAL FIELD UNIT NO. 5
 SAN AGUSTIN, PULI, CAMARINES SUR

Name of Project:	CONSTRUCTION OF HIRABAGO DIVERSION DAM
Location:	Brgy. Higabon, Occropo, Camarines Sur
Fund Source:	Small Grants
2022 RICE PROGRAM (Tr 1)	AS SHOWN

Prepared by:
 ENGR. ALBERT P. TABIA
 Technical Staff

Checked by:
 ENGR. ANTONIO B. MIRA
 Regional II, ERESS Unit Head

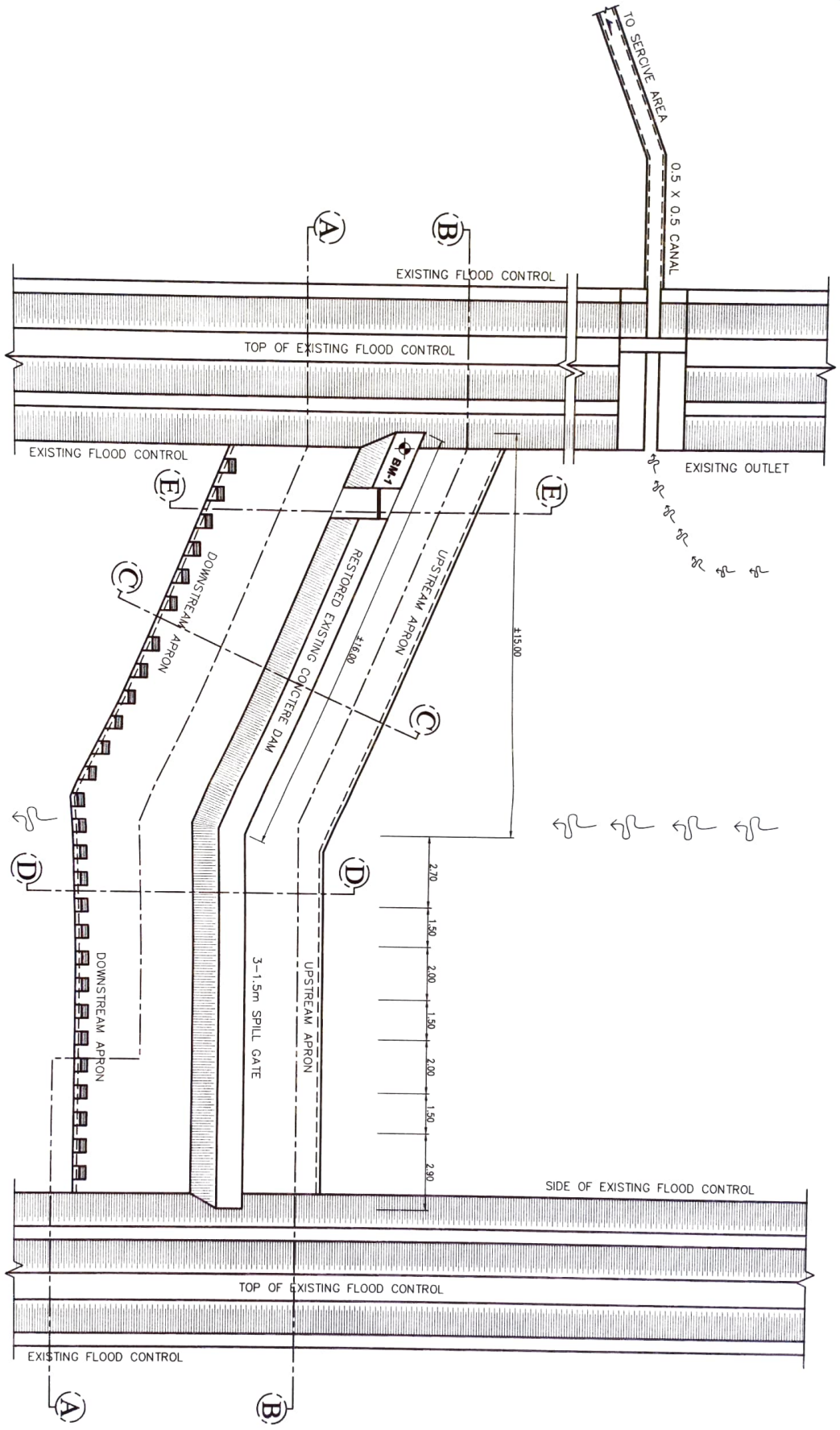
Reviewed by:
 ENGR. JERRY A. EBORA
 Engineer III, ERESS Section Head

Submitted by:
 ENGR. MILTON ALBANO
 Engineer I, Field Office

Recommending Approval:
 LUTZ R. MAROCELINO
 RFD for Operations and Extension

Approved by:
 RODEL P. TORNILLA, MARE
 Regional Extension Director

Date of Report:
 DATE: 4/11/2022



SITE DEVELOPMENT PLAN
 SCALE 1:150 MTS



REPUBLIC OF THE PHILIPPINES
 DEPARTMENT OF AGRICULTURE
 REGIONAL FIELD UNIT NO. 5
 SAN AGUSTIN, PULU, CAGAIANES SUR

Name of Project		CONSTRUCTION OF HIBAGO DIVERSION DAM	
Location		Brgy. Higabon, Cagayan, Cagayan Sur	
Funding Source		Small Grants	
Year of Construction		2022 RICE PROGRAM (Tier 1)	
AS SHOWN			

Prepared by:
 ENGR. JAY P. TABIA
 Regional Staff

Checked by:
 ENGR. ANTHONY B. MIRA
 Engineer II, Regional Field Unit

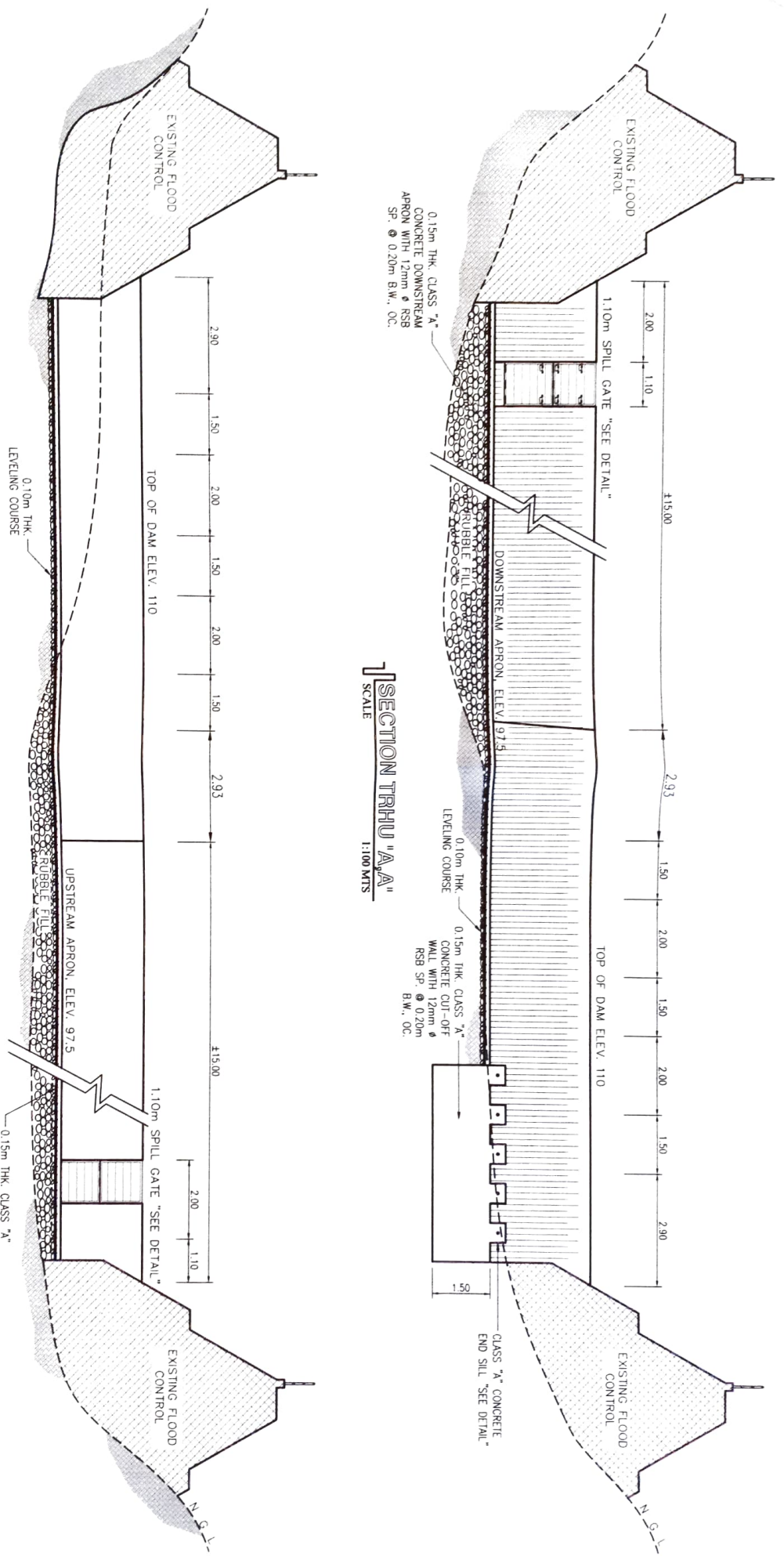
Reviewed by:
 ENGR. JERRY A. BRONA
 Engineer III, Regional Section Head

Submitted by:
 ENGR. JAY P. TABIA
 Engineer I, (Contractor)

Recommending Approval:
 LUIZ R. MARCELENO
 RTO for Operations and Extension

Approved by:
 RODRIGUEZ P. TORNIJA, MARE
 Regional Executive Director

DATE	11/05/2023
SCALE	1:100
NO. OF SHEETS	5/11



SECTION TRHU "BB"
 SCALE: 1:100 MTS

SECTION TRHU "AA"
 SCALE: 1:100 MTS



REPUBLIC OF THE PHILIPPINES
 DEPARTMENT OF AGRICULTURE
 REGIONAL FIELD UNIT NO. 5
 SAN AGOSTIN, PUL, CAMARINES SUR

NAME OF PROJECT: CONSTRUCTION OF HIRAGO DIVERSION DAM
 LOCATION: Brgy. Hibago, Compo, Camarines Sur
 FUND SOURCE: 2002 RICE PROGRAM (TR 1)
 STUDY CENTER: AS SHOWN

Prepared by: ENGR. MAYA P. TAPIA
 Technical Staff

Checked by: ENGR. ANTONIO B. MIRA
 Assistant Engineer

Reviewed by: ENGR. JERRY A. EBOSA
 Assistant Engineer

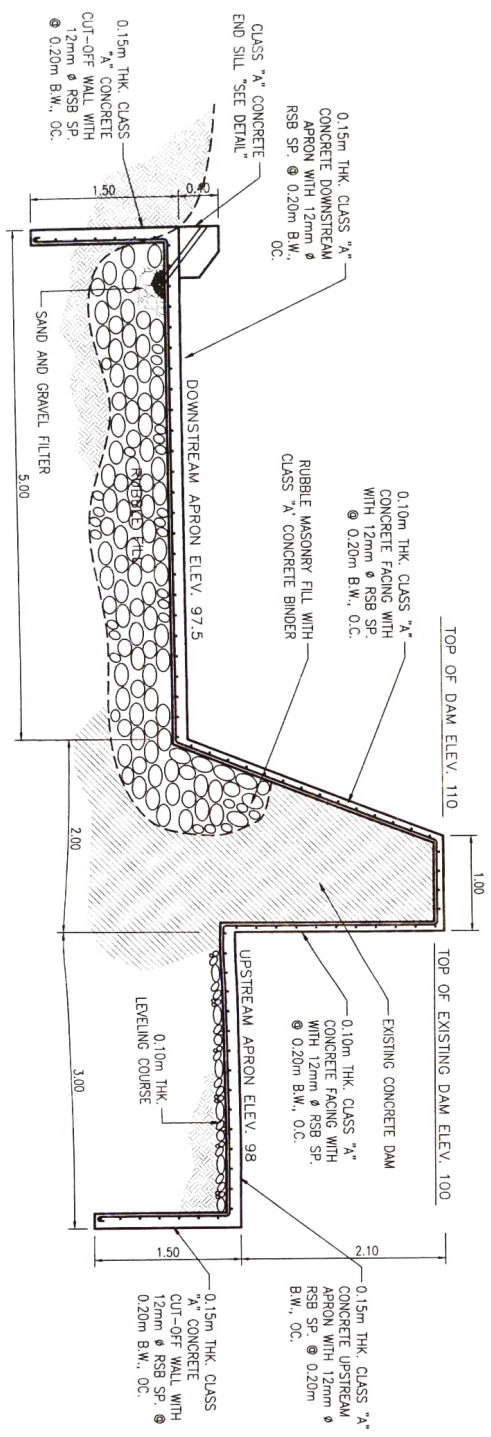
Submitted by: ENGR. V. ALBANO
 Engineer

Recommending Approval: LIZ R. MASCORLINO
 NCE for Operations and Extension

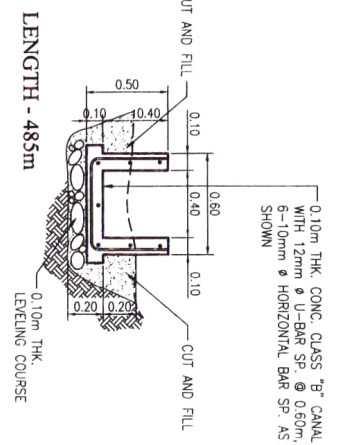
Approved by: RODEL P. TORILLA A. MABE
 Regional Extension Director

DATE: 2007
 SHEET NO.: 6
 OF: 11

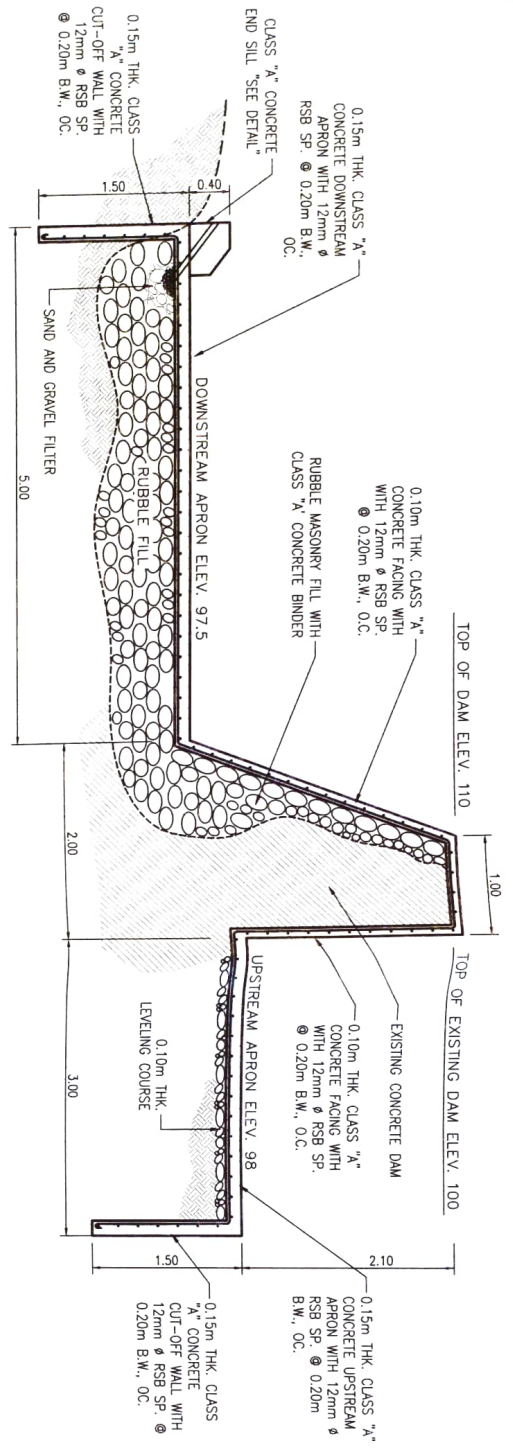
SECTION TRHU "D,D"
 SCALE 1:50 MTS



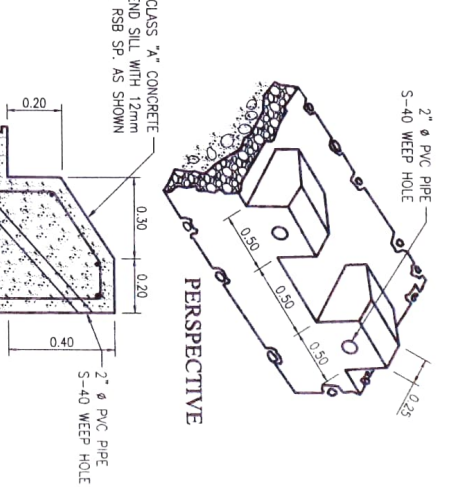
LATERAL CANAL DETAIL
 SCALE 1:30 MTS



SECTION TRHU "C,C"
 SCALE 1:50 MTS



TYPICAL END SILL DETAIL
 SCALE 1:30 MTS





REPUBLIC OF THE PHILIPPINES
 DEPARTMENT OF AGRICULTURE
 REGIONAL FIELD UNIT NO. 5
 SAN AGUSTIN, PULI, CAGAYANES SUR

Name of Project: CONSTRUCTION OF HIBAGO DIVERSION DAM
 Location: HIBAGO, DAMPO, CAGAYANES SUR
 Fund Source: 2022 RICE PROGRAM (TR-1)
 Small Center: AS SHOWN

Prepared by: ENGR. ADALY P. TABIA
 Regional Staff

Checked by: ENGR. KRISTINE B. MIRRA
 Engineer II, EROSION CONTROL

Reviewed by: ENGR. JERRY A. EBONA
 Engineer III, CROSS SECTION HEAD

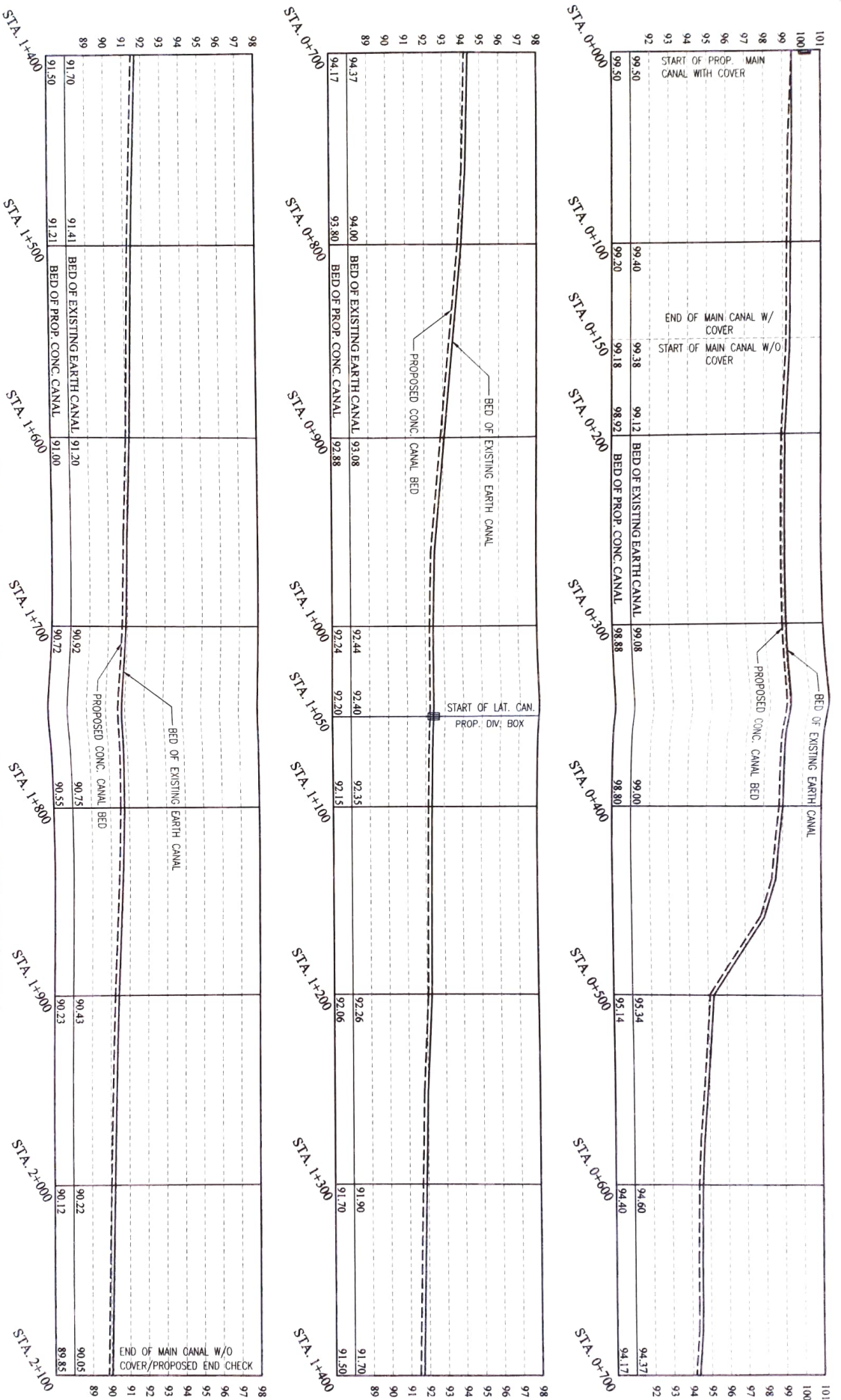
Submitted by: ENGR. NIEL V. ALBANO
 Engineer, Chief FIELD

Recommending Approval: LUIZ R. MARCELINE
 RTD, in Charge of Extension

Approved by: RODRIL P. TORNILLA, MARE
 Regional Extension Division

DATE: 2023
 SHEET NO: 8/11

PROFILE ALONG CENTER OF EXISTING EARTH CANAL
 SCALE: V=1:200, H=1:2000 MTS



Name of Project: CONSTRUCTION OF HIBAGO DIVERSION DAM

 Location: Brgy. Hibago, Ocampo, Camarines Sur

 Fund Source: 2022 RICE PROGRAM (Tier 1)

 AS SHOWN

Prepared by: ENGR. ANDRY TAVIA

 Technical Staff

Checked by: ENGR. ANTHONY B. MITRA

 Engineer II, EPCSS Unit Head

Reviewed by: ENGR. JERRY A. EROSA

 Engineer III, EPCSS Section Head

Submitted by: ENGR. ANDRY TAVIA

 Engineer II, EPCSS Unit Head

Approving Authority: LIZ R. MARCELINO

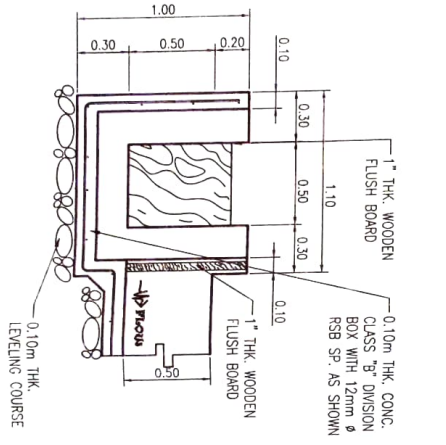
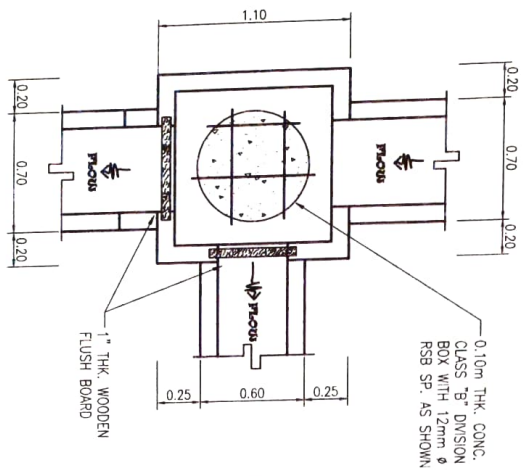
 EPCSS Unit Head

Approved by: RODRIL P. TORREALA MABE

 Regional Executive Director

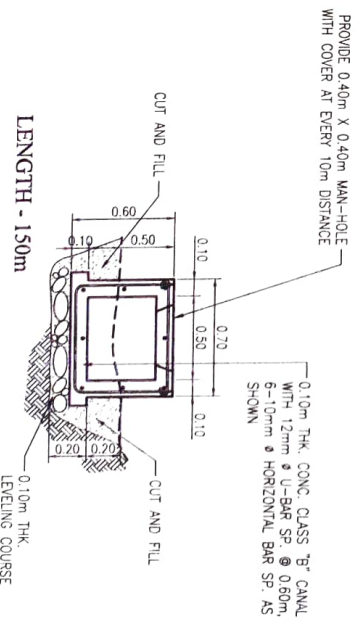
DIVISION BOX AT STAT. 0+000

 SCALE 1:30 MTS



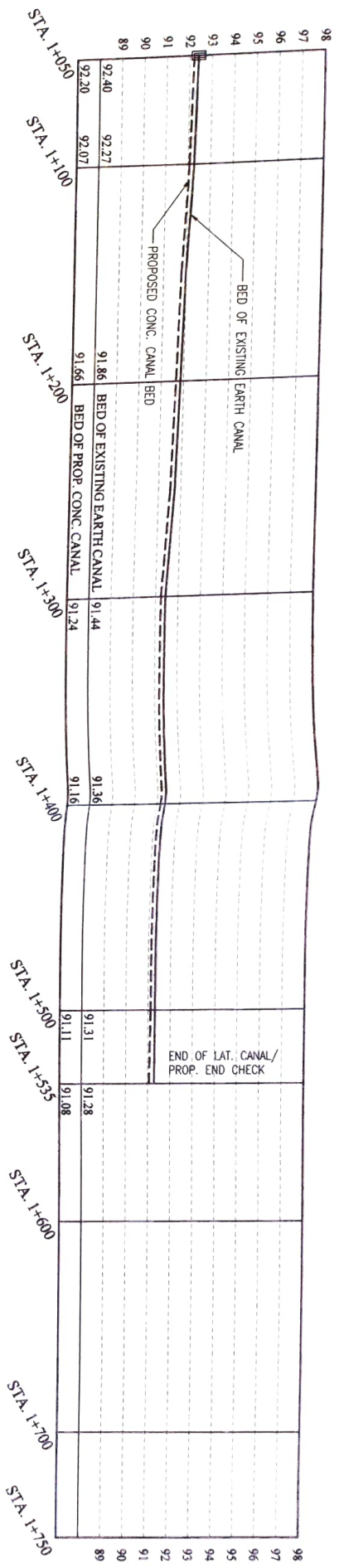
TYPICAL CANAL WITH COVER DETAIL

 SCALE 1:30 MTS



PROFILE ALONG CENTER OF LAT. CANAL

 SCALE V-1:200, H-1:1200 MTS





DEPARTMENT OF AGRICULTURE
 REPUBLIC OF THE PHILIPPINES
 DEPARTMENT OF AGRICULTURE
 REGIONAL FIELD UNIT NO. 5
 SAN AGUSTIN, PUL. CAABANES SUR

Name of Project		CONSTRUCTION OF HIBAGO DIVERSION DAM	
Location		Brgy. Hibago, Ocampo, Camarines Sur	
Funds Source		Steel Cases	
2022 RICE PROGRAM (Tr-1)		AS SHOWN	

Prepared by
 ENGR. RICHY P. TAPIA
 Technical Staff

Checked by
 ENGR. ANTONIO B. MIRA
 Registered Professional Engineer

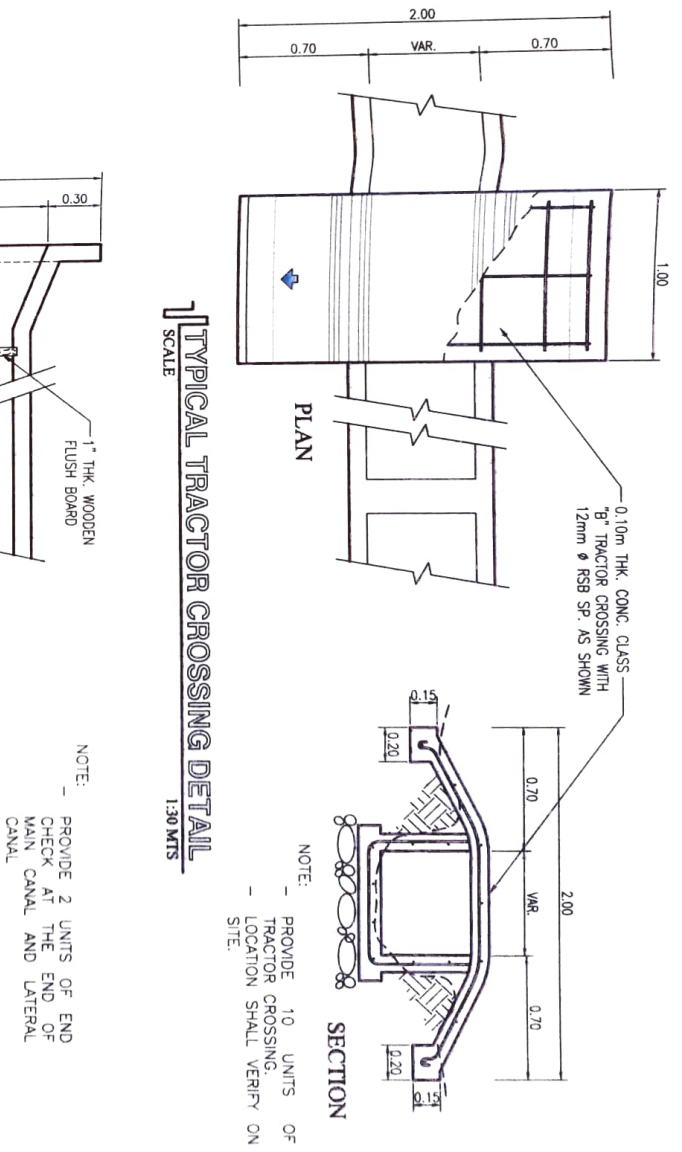
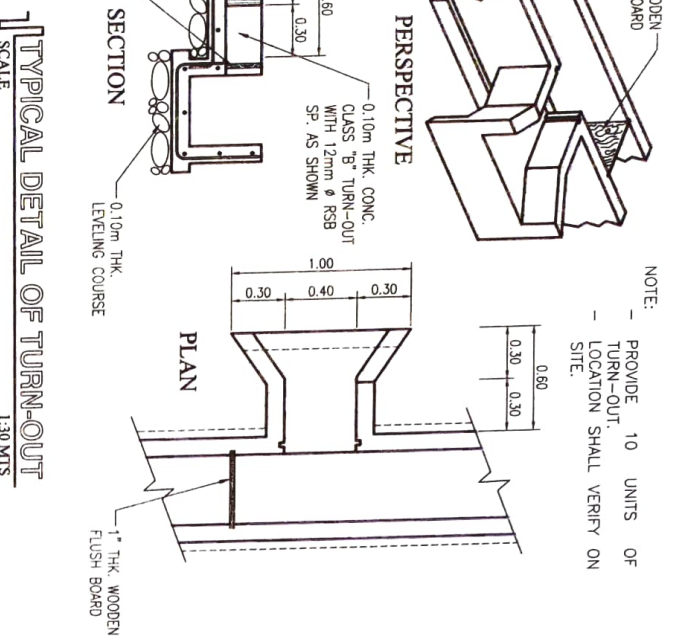
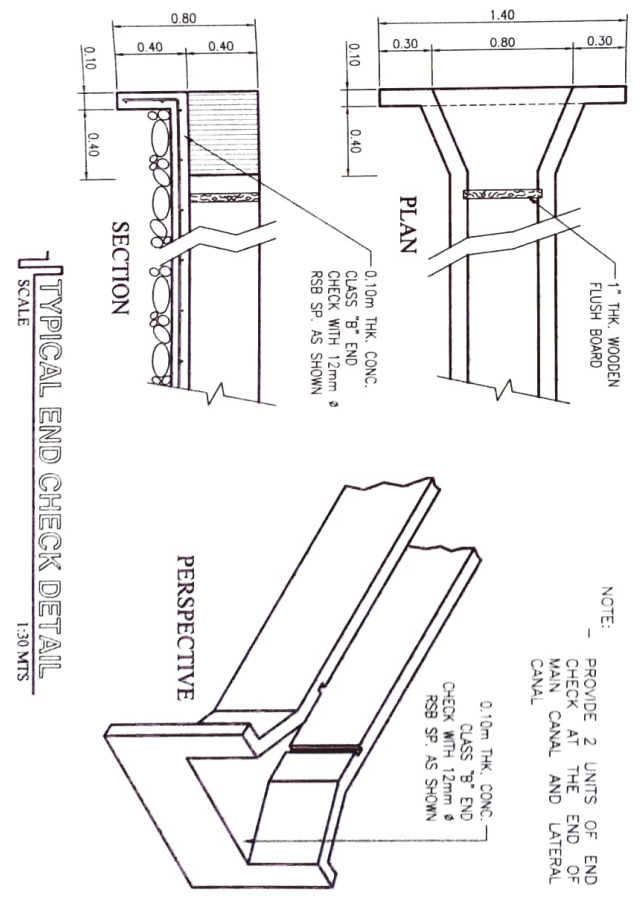
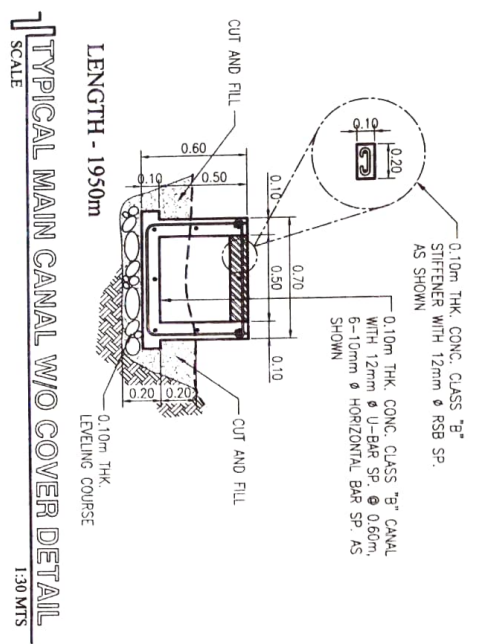
Reviewed by
 ENGR. YERRA A. EBORA
 Engineer III (Professional Head)

Sketched by
 ENGR. NINA M. MARINO
 Engineer I (Civil Field)

Recommending Approval
 MZ R. MARTELINO
 KTD for Verification and Extension

Approved by
 RODEL P. TORNILLA, MABE
 Regional Engineer-in-Chief

DATE	10/11
SCALE	



TYPICAL END CHECK DETAIL
 SCALE 1:30 MTS

TYPICAL TRACTOR CROSSING DETAIL
 SCALE 1:30 MTS

TYPICAL DETAIL OF TURN-OUT
 SCALE 1:30 MTS

TYPICAL MAIN CANAL W/O COVER DETAIL
 SCALE 1:30 MTS

