

REPUBLIC OF THE PHILIPPINES  
DEPARTMENT OF AGRICULTURE  
REGIONAL FIELD UNIT NO.5  
SAN AGUSTIN, PILI, CAMARINES SUR.

**PROJECT TITLE**

*P R O P O S E D :*

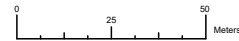
**CANAL IMPROVEMENT & EXTENSION OF  
AROROY DIVERSION DAM**

**LOCATION: AROROY, JUBAN, SORSOGON**

*PREPARED BY:*

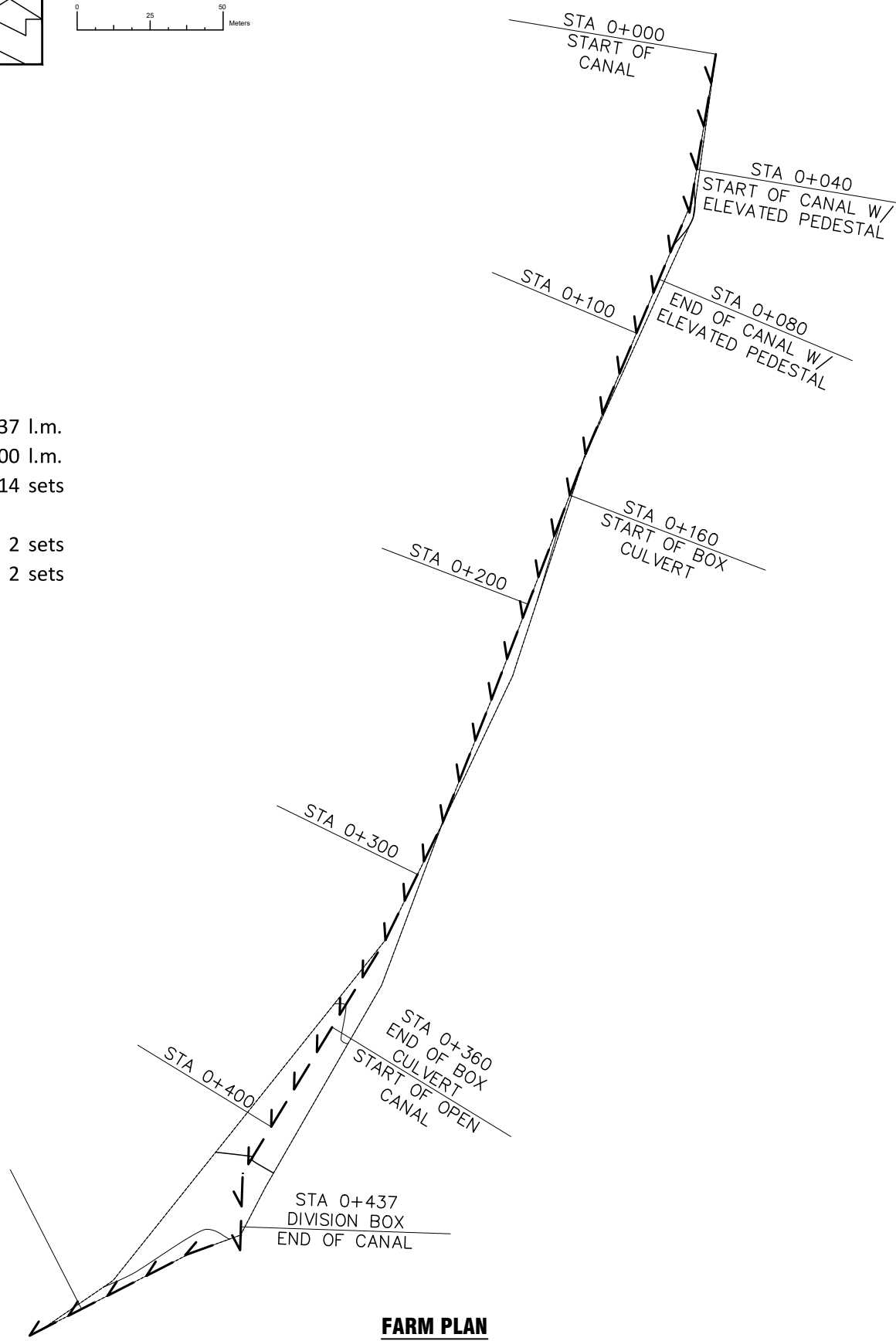
**RAED OFFICE**



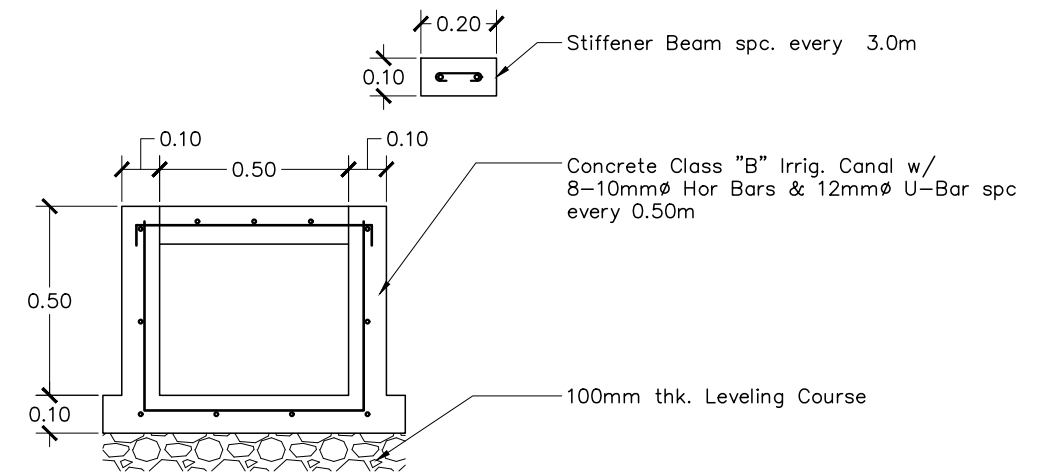


**PARAMETERS**

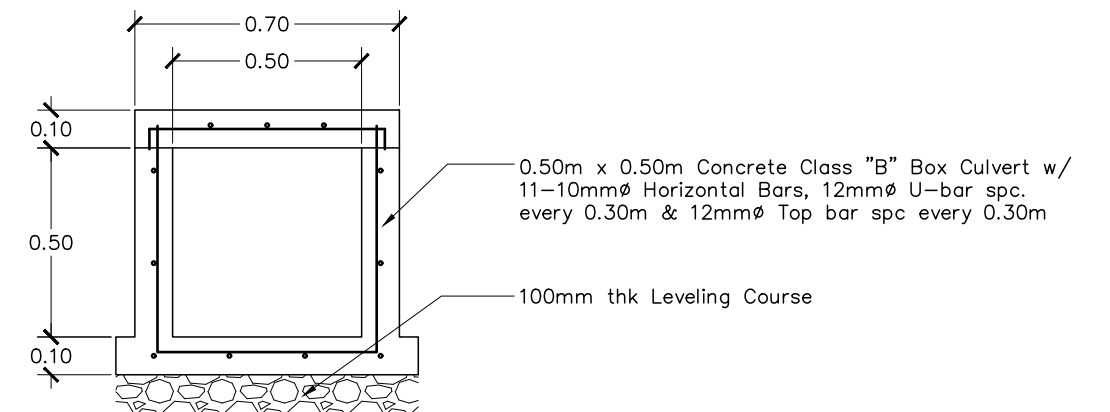
Length of Open Canal	=	237 l.m.
Length of Box Culvert	=	200 l.m.
Number of Pedestal Post & Footing	=	14 sets
Division Box	=	2 sets
Tractor Crossing	=	2 sets



**FARM PLAN**  
SCALE 1:2000



**DETAIL OF CANAL**  
SCALE 1:20



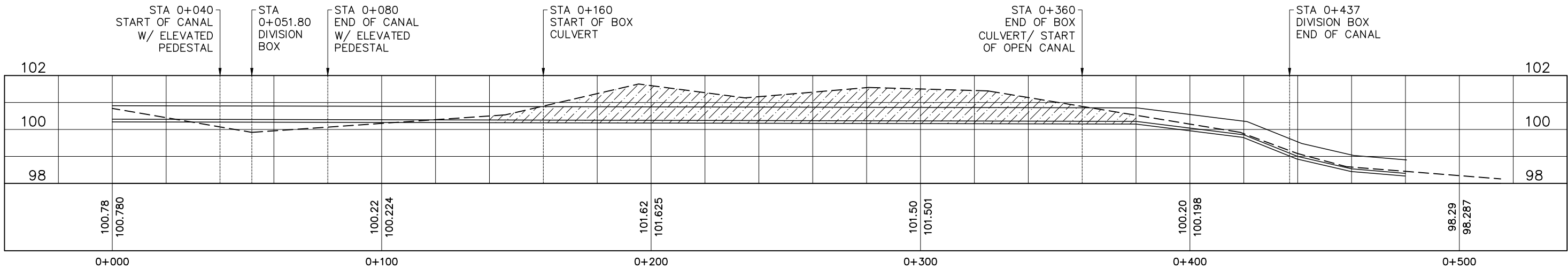
**DETAIL OF BOX CULVERT**  
SCALE 1:20



Department of Agriculture  
**REGIONAL FIELD OFFICE No. 5**  
 SAN AGUSTIN PILI, CAMARINES SUR  
 REGIONAL AGRICULTURAL ENGINEERING DIVISION

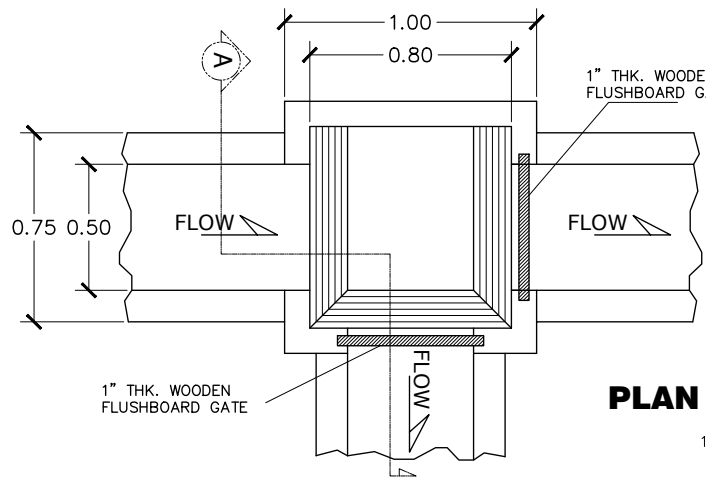
Title:	Prepared by:	Checked by:	Reviewed by:	Noted by:	Recommending Approval:	Approved:	Page No.
<b>CANAL IMPROVEMENT &amp; EXTENSION OF ARORROY DIVERSION DAM</b> Aroroy, Juban, Sorsogon	<b>JAD R. ATOLE</b> Technical Staff	<b>ARTHUR B. MIRA</b> Engineer II	<b>JERRY A. EBOÑA</b> Head, EPDSS	<b>GILBERT S. SALCEDO</b> OIC-Chief, RAED	<b>LUZ R. MARCELINO</b> RTD for Operation and Extension	<b>RODEL P. TORNILLA, MaBE</b> Regional Executive Director	4 / 4
Sheet Content:	AS-SHOWN						

# PROFILE OF CANAL



## PROFILE OF CANAL

SCALE V 1:150 H 1:1500

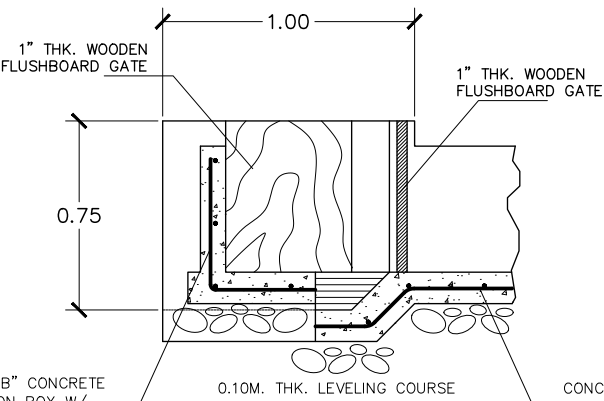


**PLAN**

### DETAIL OF DIVISION BOX

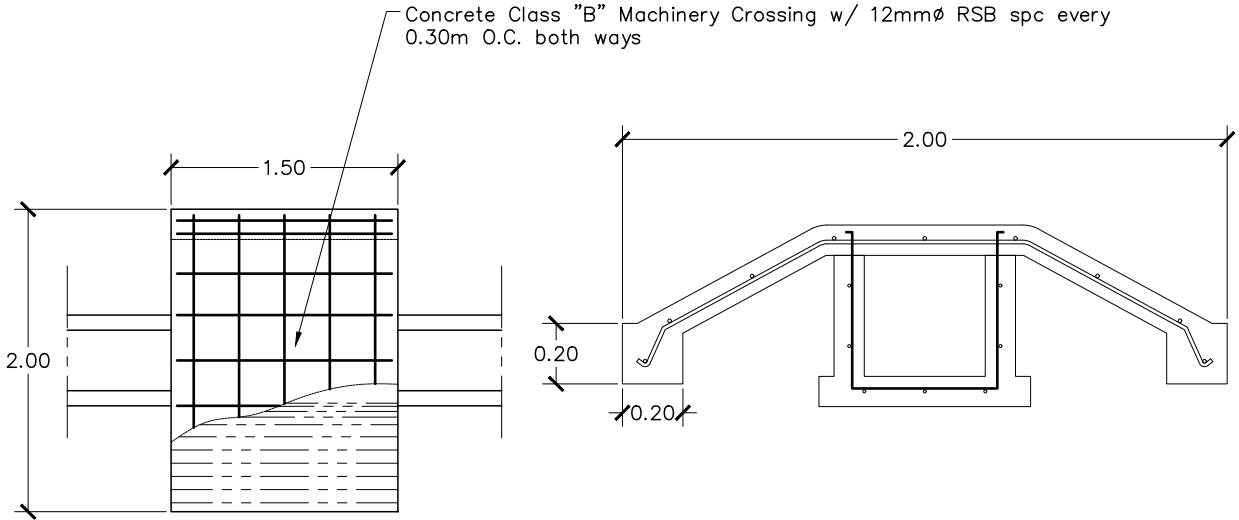
SCALE 1:30

CLASS "B" CONCRETE DIVISION BOX W/ 12mmØ RSB SPACED @ 0.30M O.C. BOTHWAYS



**SECTION A**

CONCRETE CLASS B FLOORING W/ 12mm Ø RSB SP. @ 0.30M O.C. BOTHWAYS



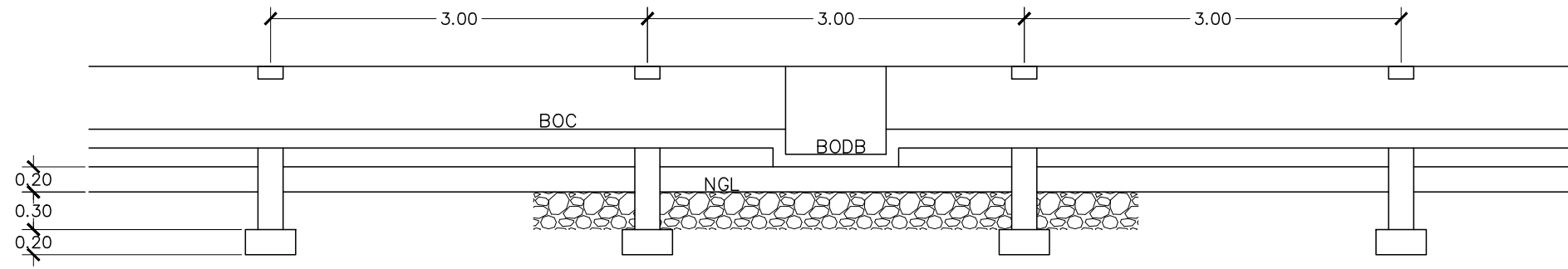
**PLAN OF TRACTOR CROSSING**

SCALE 1:50

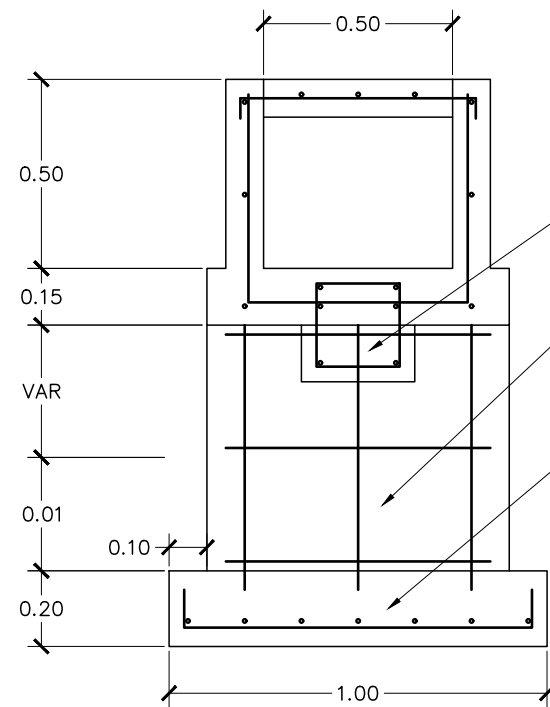
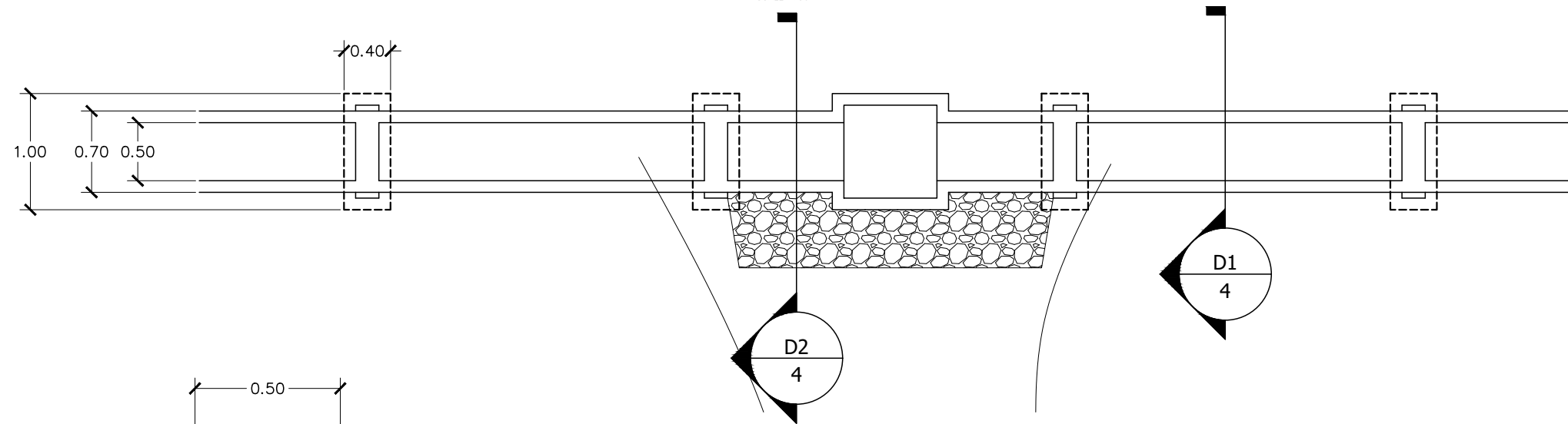
**SECTION OF TRACTOR CROSSING**

SCALE 1:25

Title: <b>CANAL IMPROVEMENT &amp; EXTENSION OF ARORROY DIVERSION DAM</b> Aroroy, Juban, Sorsogon	Prepared by: <b>JAD R. ATOLE</b> Technical Staff	Checked by: <b>ARTHUR B. MIRA</b> Engineer II	Reviewed by: <b>JERRY A. EBOÑA</b> Head, EPDSS	Noted by: <b>GILBERT S. SALCEDO</b> OIC-Chief, RAED	Recommending Approval: <b>LUZ R. MARCELINO</b> RTD for Operation and Extension	Approved: <b>RODEL P. TORNILLA, MaBE</b> Regional Executive Director	Page No. <div style="border: 1px solid black; padding: 5px; text-align: center;">4 / 4</div>
Sheet Content: AS-SHOWN							



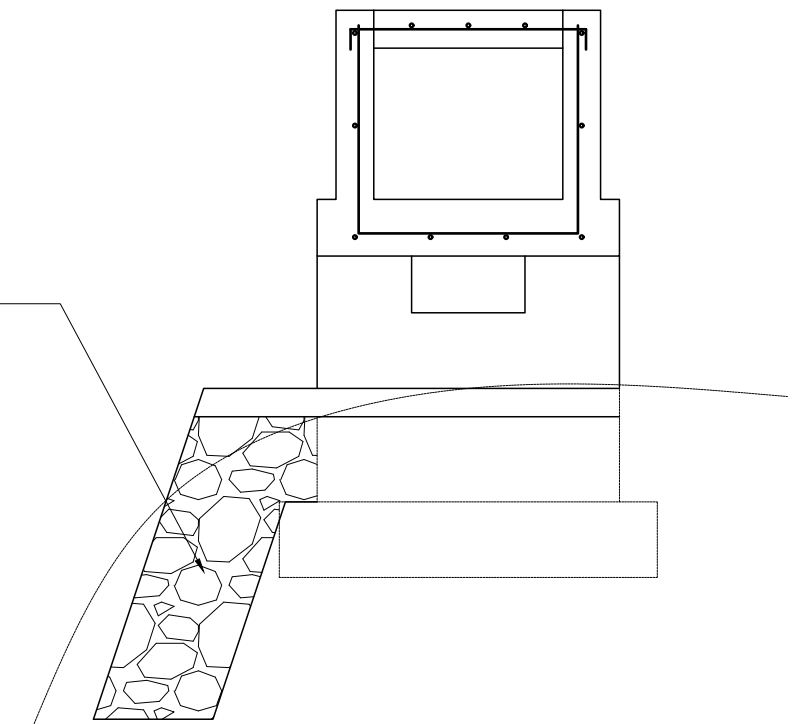
**ELEVATION VIEW - ELEVATED PEDESTAL**  
SCALE 1:50



**SECTION THRU "D1"- DET. OF PEDESTAL**  
SCALE 1:20

- Concrete Class "B" Canal Girder w/ 4-12mm $\phi$  & 10mm $\phi$  Stirrups spc every 0.30m
- 200mm thk Concrete Class "B" Pedestal w/ 12mm $\phi$  RSB arrange as-shown
- 200mm thk Concrete Class "B" Pedestal Footing w/ 12mm $\phi$  RSB arrange as-shown

300mm thk Grouted Riprap Slope Protection



**SECTION THRU "D2"**  
SCALE 1:20



Department of Agriculture  
**REGIONAL FIELD OFFICE No. 5**  
SAN AGUSTIN PILI, CAMARINES SUR  
REGIONAL AGRICULTURAL ENGINEERING DIVISION

Title:	Prepared by:	Checked by:	Reviewed by:	Noted by:	Recommending Approval:	Approved:	Page No.
<b>CANAL IMPROVEMENT &amp; EXTENSION OF ARORROY DIVERSION DAM</b> Aroroy, Juban, Sorsogon	<b>JAD R. ATOLE</b> Technical Staff	<b>ARTHUR B. MIRA</b> Engineer II	<b>JERRY A. EBOÑA</b> Head, EPDSS	<b>GILBERT S. SALCEDO</b> OIC-Chief, RAED	<b>LUZ R. MARCELINO</b> RTD for Operation and Extension	<b>RODEL P. TORNILLA, MaBE</b> Regional Executive Director	4 / 4
Sheet Content:	AS-SHOWN						

2.44

DEPARTMENT OF AGRICULTURE  
Regional Field Office No. 5  
San Agustin, Pili, Camarines Sur


Project: \_\_\_\_\_  
 Cost: \_\_\_\_\_  
 Location: \_\_\_\_\_  
 Fund Source/s: \_\_\_\_\_  
 Contractor: \_\_\_\_\_  
 Brief Description of Project: \_\_\_\_\_

Project Details: \_\_\_\_\_

Project Date:		Project Status					Remarks
Duration	Started	Target Date of Completion	Percentage of Completion	As of (Date)	Cost Incurred to Date	Date Completed	

For particulars or complaints about this project, please contact the Regional Office or Cluster which has audit jurisdiction on this project.

COA Regional Office No./Cluster: \_\_\_\_\_  
 Address: \_\_\_\_\_  
 Contact No.: \_\_\_\_\_

*"A food-secure Philippines with Prosperous farmers and fisherfolks"* 

0.19

