

REPUBLIC OF THE PHILIPPINES  
DEPARTMENT OF AGRICULTURE  
REGIONAL FIELD UNIT NO. 6  
SAN AGUSTIN, P.I.L., CAMARINES SUR

**PROJECT TITLE**

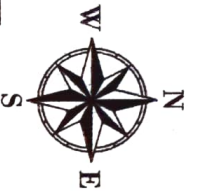
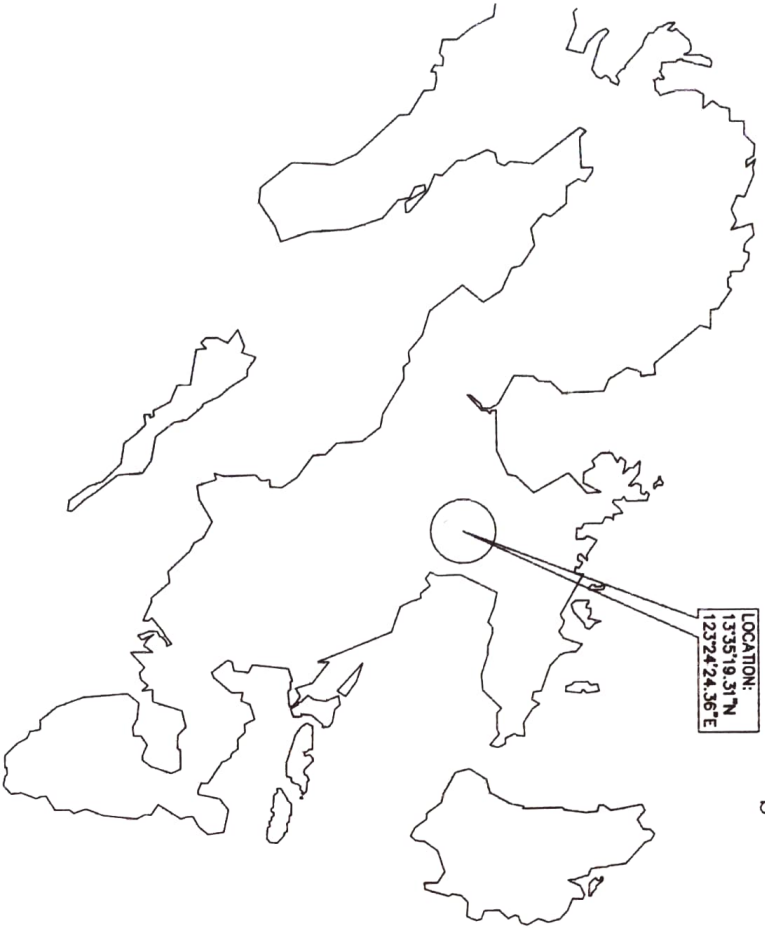
*P R O P O S E D :*

**CONSTRUCTION OF ORAS-PINTO  
DIVERSION DAM**

**LOCATION: ORAS, CAMP 9, CAMARINES SUR**

PREPARED BY:  
RAED OFFICE





**1** LOCATION PLAN  
Scale: 1:1000

- SHEET NO. SHEET CONTENT**
- 1** = LOCATION PLAN
  - 2** = SHEET CONTENT
  - 3** = FARM PLAN
  - 4** = SITE DEVELOPMENT PLAN
  - d1** = SECTION THRU "d1"
  - d2** = SECTION THRU "d2"
  - I1** = DETAIL OF INTAKE
  - I2** = DETAIL OF RETAINING WALL
  - I3** = PROFILE OF CANAL
  - I4** = DETAILS OF CANAL
  - I5** = DETAILS OF DIVISION BOX
  - 5** = DETAIL OF SLIDING GATE
  - 6** = PROJECT BILLBOARD
  - 7** = PERMANENT MARKER

**2** SHEET CONTENT  
Scale: 1:1000



Department of Agriculture  
REGIONAL FIELD  
OFFICE NO. 5  
SAN AGUSTIN PUL. CALAMANSAN SAN  
REGIONAL AGRICULTURAL  
ENGINEERING DIVISION

Title <b>CONSTRUCTION OF ORAS-PHINT DIVERSION DAM</b> By: Orla Campo, Christine Sir AS-SHOWN	Prepared by <b>JADE R. KTOLE</b> Agricultural Staff	Checked by <b>ARTHUR B. MIHA</b> Engineer II	Reviewed by <b>JERRY A. EBORA</b> Team Leader	Noted by <b>NILDA T. ALBANO</b> Chief, Field	Supervising Approval <b>LIZ B. MARCELINO</b> RFD for Operation and Estimation	Approved <b>RODEL P. TORNILLA MABE</b> Regional Executive Director	Page No. 1/2
---	---	--	---	--	---	--	-----------------

Title: **CONSTRUCTION OF ORAS-PINIT DIVERSION DAM**  
 Drawn by: **By: Osa, Ocampo, Camarones Sur**  
 AS-SHOWN

Prepared by: **JAD R. ATOLE**  
 Technical Staff

Checked by: **ARTHUR G. MIRA**  
 Engineer II

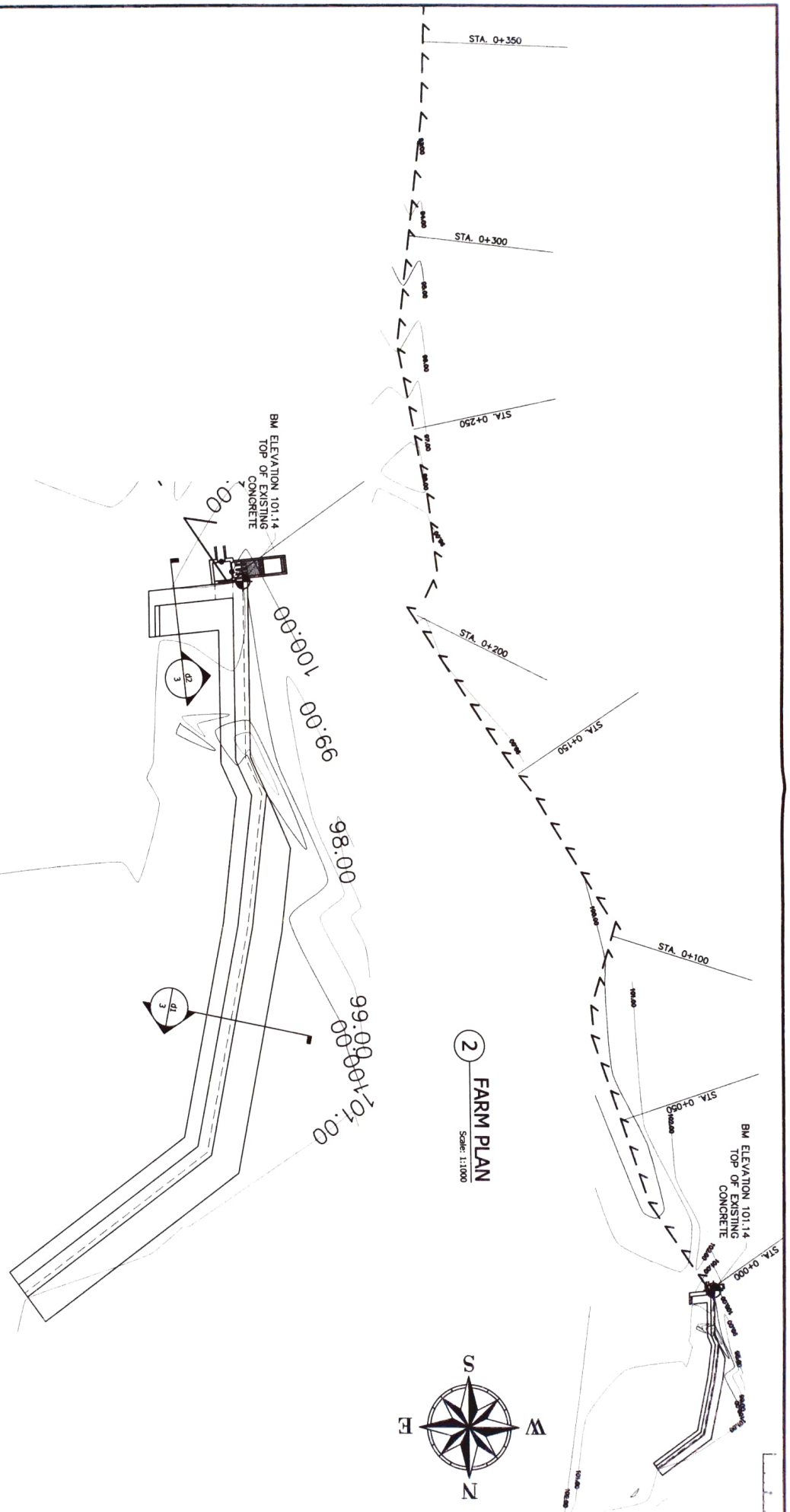
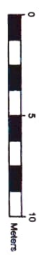
Reviewed by: **JERRY A. EBONA**  
 Head Engineer

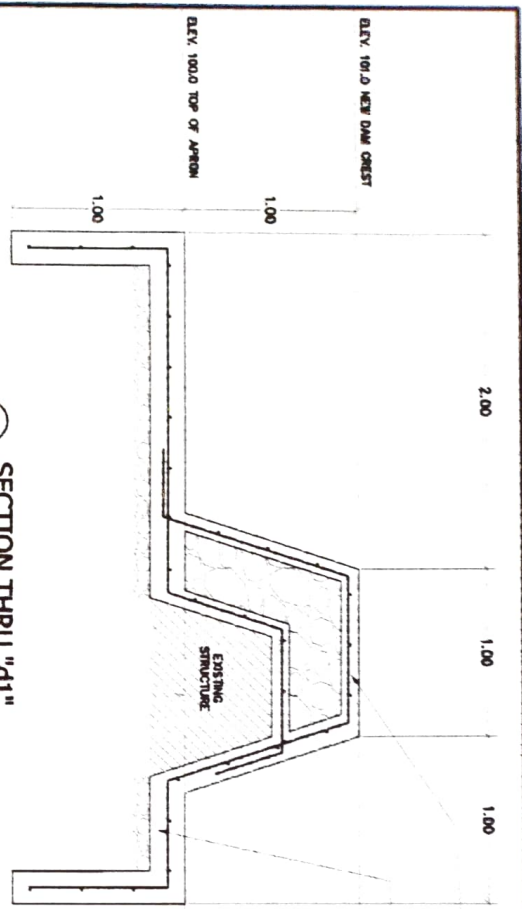
Noted by: **NILDAT ALBANO**  
 Chief Field

Reconfirming Approval: **LUZ R. MARCELINO**  
 RTD for Operation and Estimation

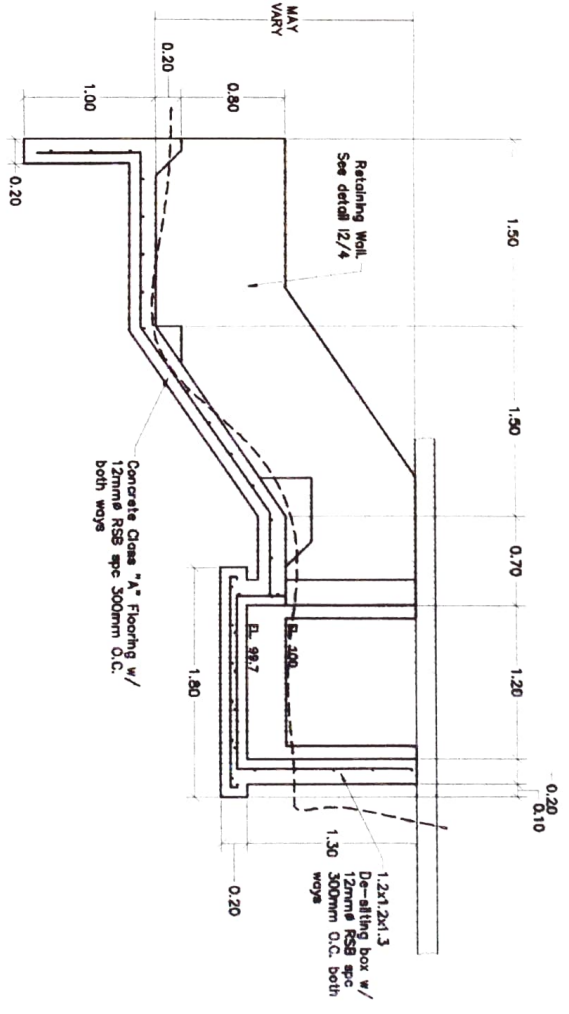
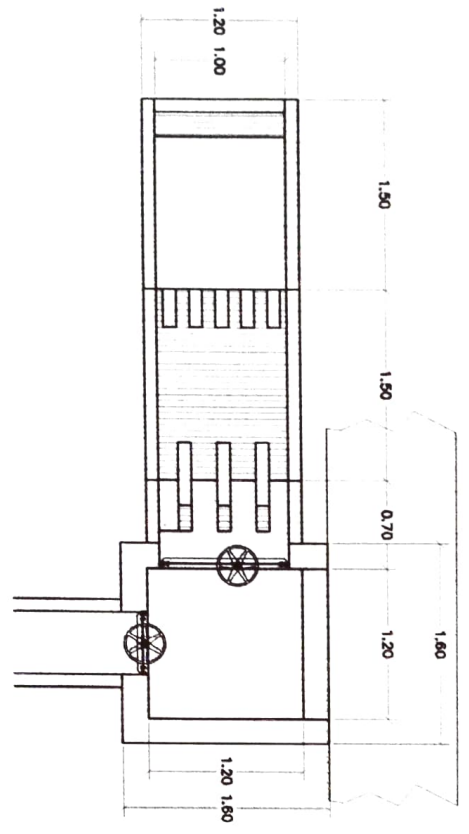
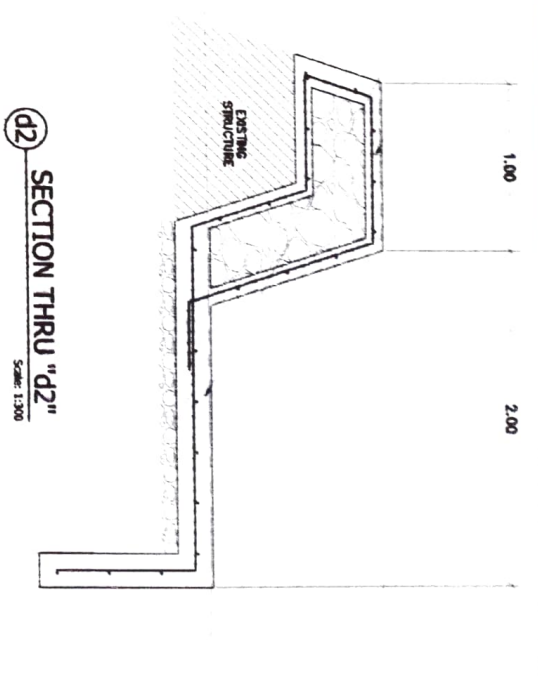
Approved: **RODEL P. TONILLA MABE**  
 Regional Engineering Director

**3 SITE DEVELOPMENT**  
 Scale: 1:250





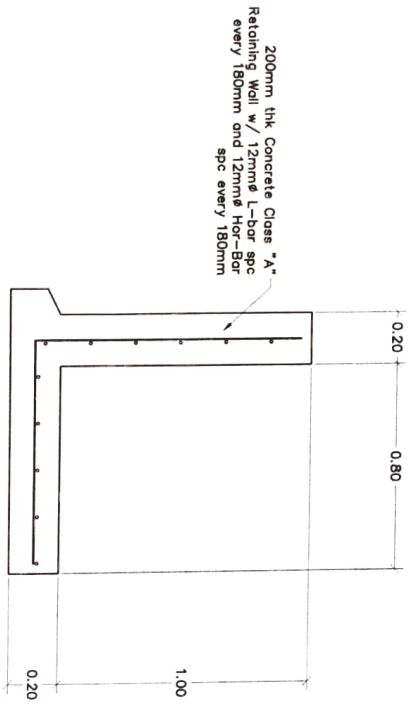
100mm thk Concrete Class A Cover w/ 12mm<sup>Ø</sup> RSB spc 300mm both ways  
200mm thk Concrete Class "A" Apron w/ 12mm<sup>Ø</sup> RSB spc 300mm O.C. both ways



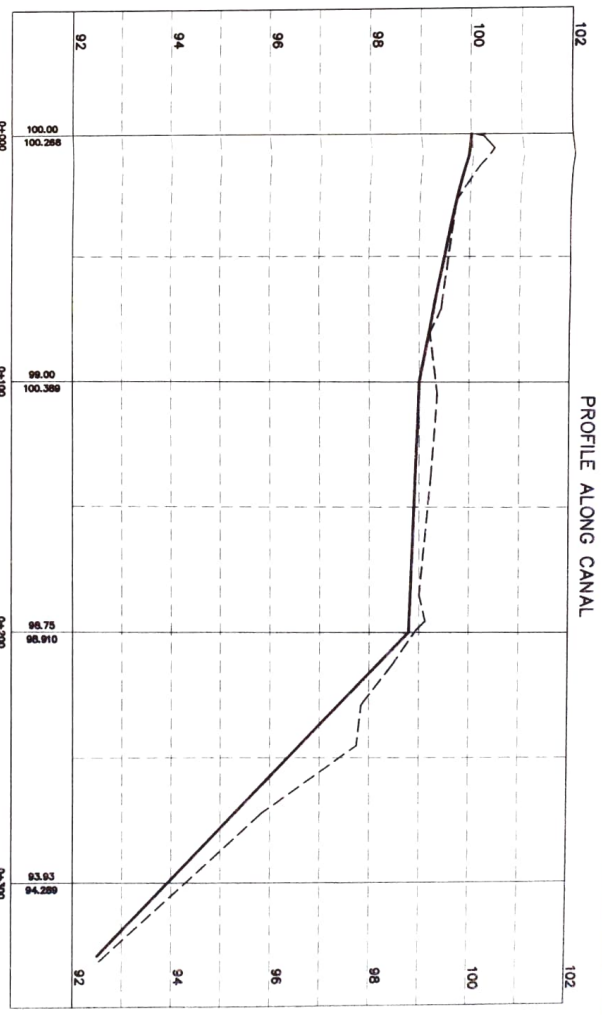
11 DETAIL OF INTAKE STRUCTURE  
Scale: 1:400

<p>Department of Agriculture REGIONAL OFFICE NO. 5 Cebu City, Philippines REGIONAL AGRICULTURAL ENGINEERING DIVISION</p>	<p>Prepared by <b>JAD R. ATOLE</b> Technical Staff</p>	<p>Checked by <b>ARTHUR B. MIWA</b> Engineer II</p>	<p>Reviewed by <b>JERRY A. ENOLA</b> 1980-1985</p>	<p>Designed by <b>NILDA T. ARDANO</b> Civil Engr.</p>	<p>Supervising Approval <b>LIZ B. MARCELANO</b> RTO in Charge and Estimator</p>	<p>Approved <b>RODEL TORRELLA MARE</b> Regional Engr. in Charge</p>
	<p>Title <b>CONSTRUCTION OF GRAS PUNT DIVERSION DAM</b></p> <p>By: Orla Campo, Geomorph. Sr. AS-SHOWN</p>					

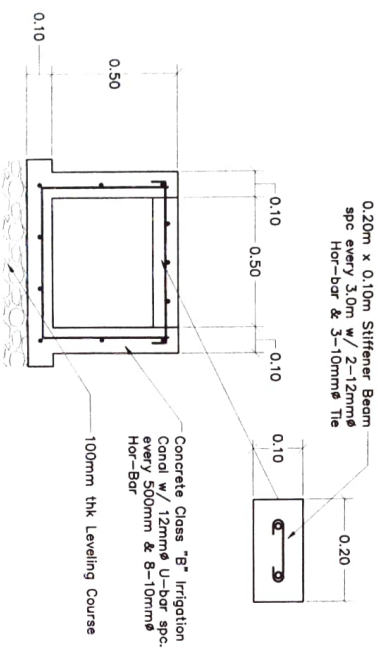




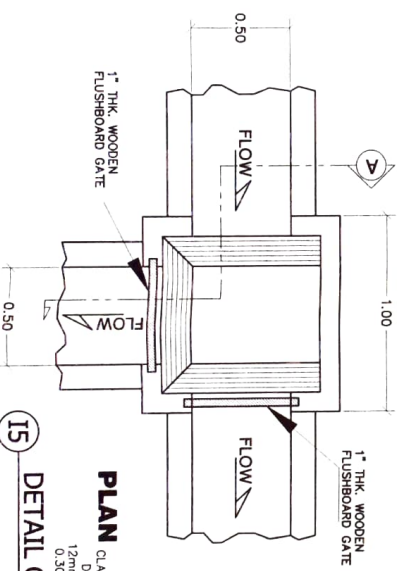
**12** DETAIL OF RETAINING WALL  
Scale: 1:20



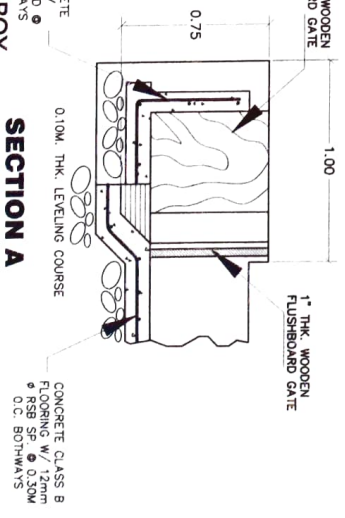
**13** CANAL PROFILE  
Scale: V=1:100 H=1:2000



**14** DETAIL OF CANAL (L=2075)  
Scale: 1:20



**15** DETAIL OF DIV. BOX  
Scale: 1:25



Department of Agriculture  
REGIONAL OFFICE NO. 5  
SAN JOSE DEL MONTE, CAVITE, PHILIPPINES

REGIONAL AGRICULTURAL  
ENGINEERING DIVISION

---

**CONSTRUCTION OF ORAS-PINIT DIVERSION DAM**

By: Oas Carlos Carreras Sr.  
AS-SHOWN

Prepared by: **JAD R. ATOLE**  
Technical Staff

Checked by: **ARTHUR MIRA**  
Engineer II

---

Reviewed by: **JERRY A. EBOLA**  
Head Cross

Noted by: **NIDA T. LABIANO**  
Chief Field

Recommending Approval: **LIZ R. MARCELINEO**  
FTE for Operations and Extension

---

Approved: **RODEL P. DOMILLA MASE**  
Supervisor Extension Division

Page No. 4/5



Department of Agriculture  
 REGIONAL FIELD  
 OFFICE NO. 5  
 SAN ANTONIO, ILOILO, CAVENAGUE RD.  
 REGIONAL AGRICULTURAL  
 ENGINEERING DIVISION

THE  
**CONSTRUCTION OF GRASS-FRUIT DIVERSION DAM**  
 BY: CHIEF ENGINEER, CAVENAGUE ST.  
 SLIDING GATE

Prepared by  
**JAD B. ATOLE**  
 Technical Staff

Checked by  
**ARTHUR B. MIRA**  
 Engineer I

Reviewed by  
**JERRY A. ENONA**  
 Team LEAD

Named by  
**NILDA T. MABANO**  
 Chief RAED

Reviewed/Checked/Approved  
**LIZ R. MARCELINO**  
 RFD for Division and Extension

Approved  
**RODEL P. TORRES**  
 Regional Structural Engineer

Page No.  
 5

**SCHEDULE OF DIMENSIONS**

ITEM NO.	QUANTITY	DIMENSIONS		SECTION OF VERTICAL AND TOP VIEW	SECTION OF HOLD DOWN PLATE	SECTION OF LIFT NUT	SECTION OF ANCHOR BOLT	SECTION OF GASKET PLATE	SECTION OF STOP NUT	SECTION OF HORIZONTAL FRAME	SECTION OF GATE SLIDE	SECTION OF COVER PLATE	SECTION OF PULLER BAR	SECTION OF ANCHOR BOLT	SECTION OF HORIZONTAL FRAME	
		W	H													
A																
B																
C																
D																
E																
F																
G																
H																
I																
J																
K																
L																
M																
N																
O																
P																
Q																
R																
S																
T																
U																
V																
W																
X																
Y																
Z																

NOTES:  
 1. LEFT AND RIGHT HAND SIDE  
 2. ALL DIMENSIONS ARE IN MILLIMETERS  
 3. UNLESS OTHERWISE SPECIFIED

**GENERAL NOTES AND SPECIFICATIONS:**

1. Gate Sliding Plates, Cover Plates, Gasket Plates and Slippers - Steel Plates ASTM A36
2. Anchor Bolt - Cold Rolled Steel ASTM A108-52T
3. Angle Iron - Structural Steel ASTM A36
4. Lift Nuts and Stop Nuts - Bronze ASTM B22 Grade D
5. Horizontal and Hold Down Plates - Cast Iron ASTM A48 Class 50
6. Hinge Pin Bolts and Nuts - ASTM A307 Grade 2 Equivalent
7. Coarsest Sliding Shaft - 3/16" Dia. 3" Equivalent
8. All Steel Parts - Hot Dipped Galvanized
9. All critical Surfaces - Contact Face Assembly shall be assembled accordingly to minimize friction.

