

REPUBLIC OF THE PHILIPPINES
DEPARTMENT OF AGRICULTURE
REGIONAL FIELD UNIT NO.5
SAN AGUSTIN, PILI, CAMARINES SUR.

PROJECT TITLE

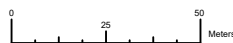
P R O P O S E D :

**REPAIR/IMPROVEMENT & CANAL
EXTENSION OF SUA DIVERSION DAM**

LOCATION: SUA, CAMALIG, ALBAY

PREPARED BY:
RAED OFFICE





DESIGN PARAMETERS

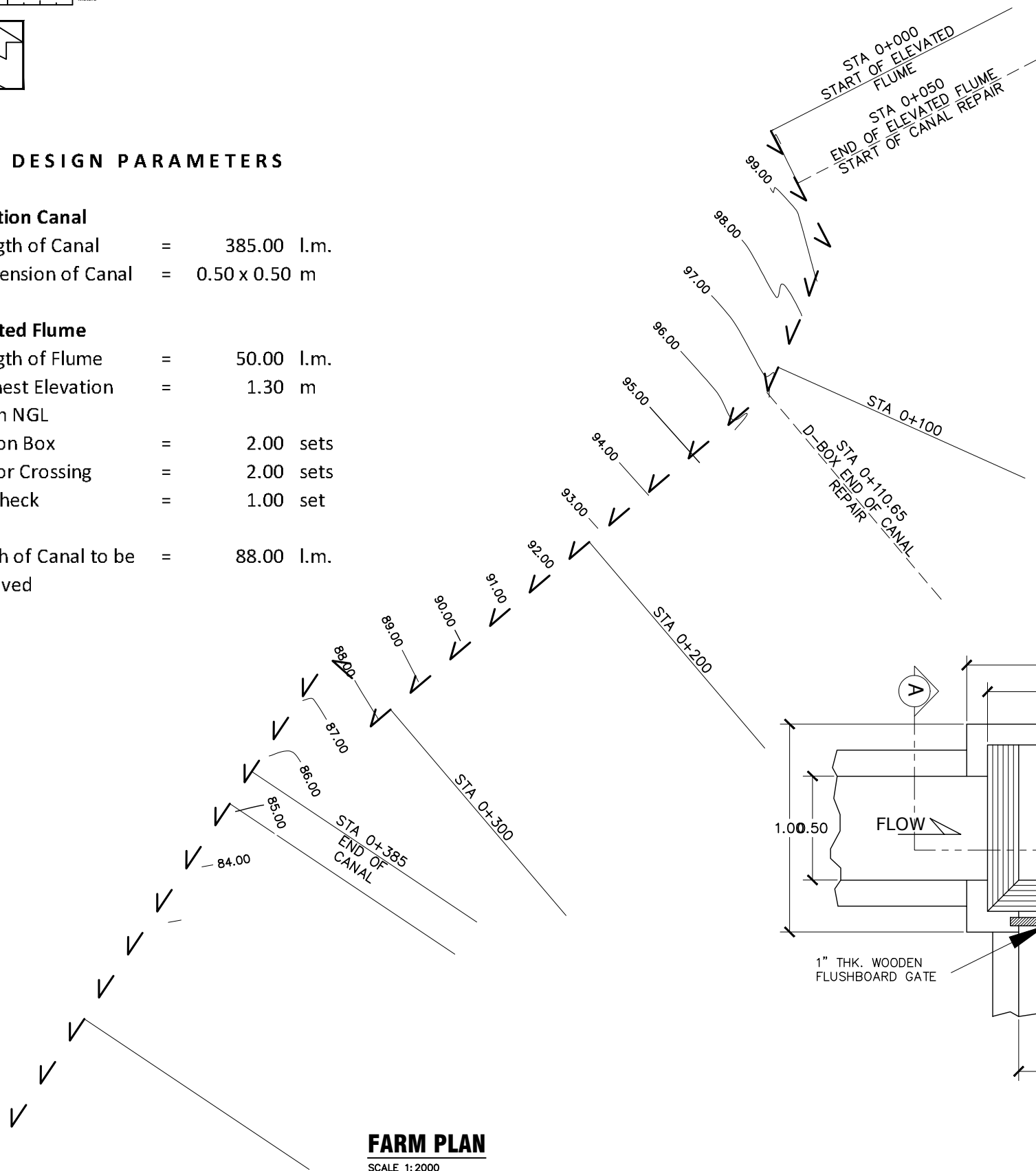
Irrigation Canal

Length of Canal = 385.00 l.m.
 Dimension of Canal = 0.50 x 0.50 m

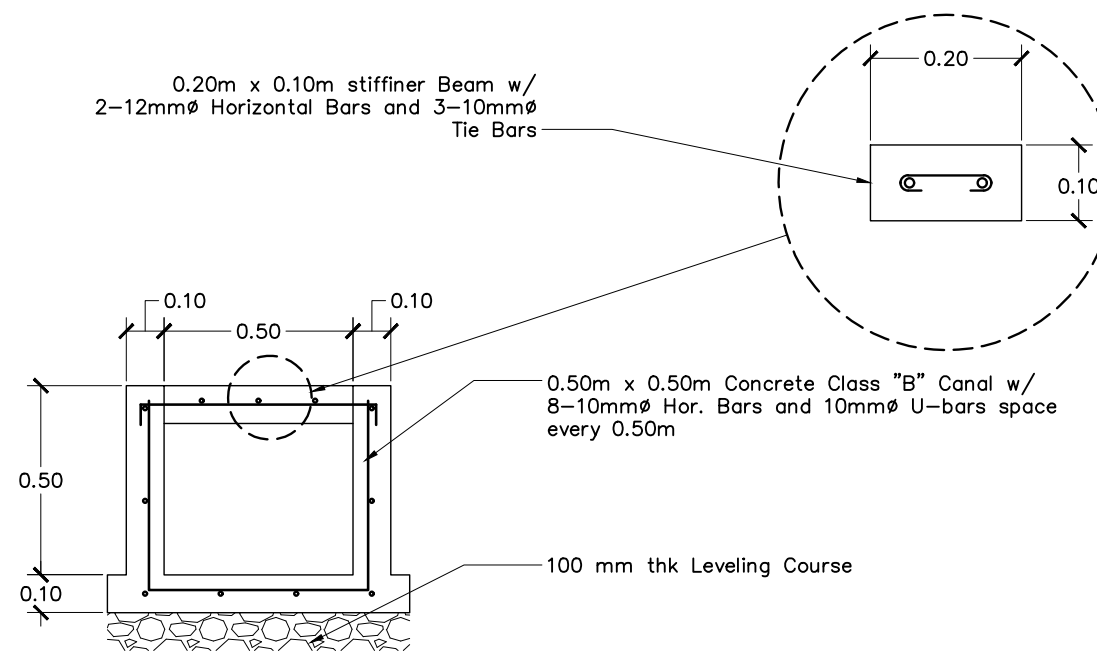
Elevated Flume

Length of Flume = 50.00 l.m.
 Highest Elevation = 1.30 m
 from NGL
 Division Box = 2.00 sets
 Tractor Crossing = 2.00 sets
 End Check = 1.00 set

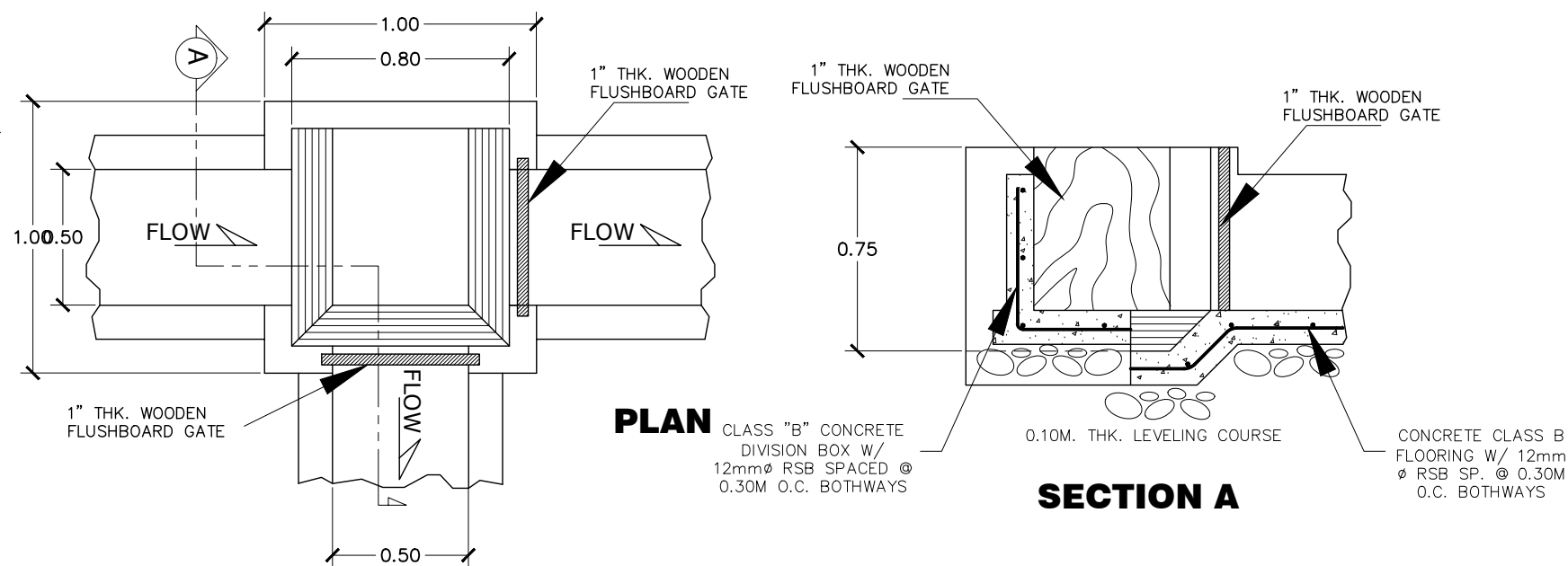
Length of Canal to be Removed = 88.00 l.m.



FARM PLAN
SCALE 1:2000



IRRIGATION CANAL (385 L.M.)
SCALE 1:20



PLAN

CLASS "B" CONCRETE DIVISION BOX W/ 12mm ϕ RSB SPACED @ 0.30M O.C. BOTHWAYS

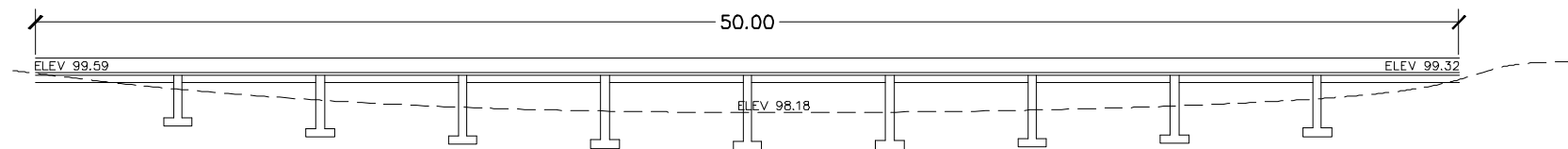
SECTION A

DIVISION BOX
SCALE 1:25



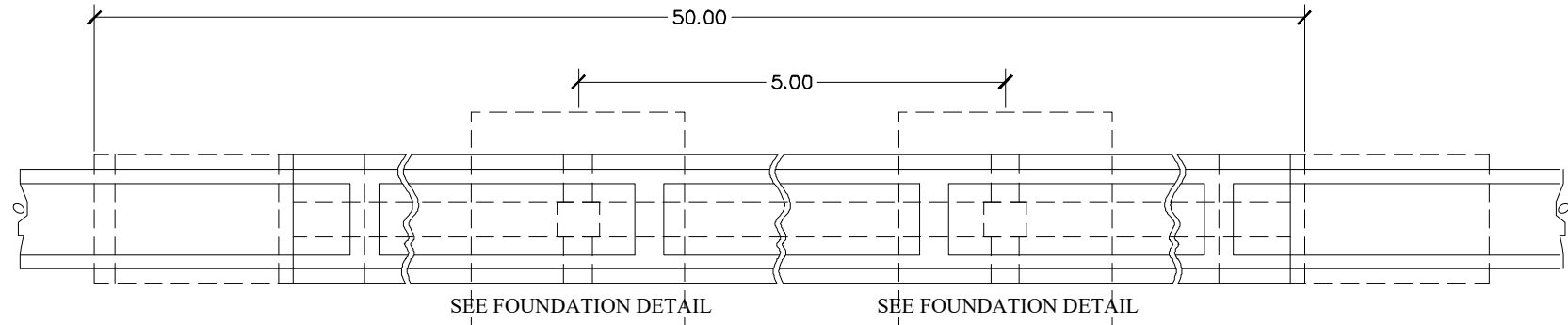
Department of Agriculture
 REGIONAL FIELD OFFICE No. 5
 SAN AGUSTIN PILI, CAMARINES SUR
 REGIONAL AGRICULTURAL ENGINEERING DIVISION

Title: REPAIR / IMPROVEMENT & CANAL EXTENSION OF SUA DD Brgy. Sua, Camalig, Albay	Prepared by:	Checked by:	Reviewed by:	Noted by:	Recommending Approval:	Approved:	Page No.
	JAD R. ATOLE Technical Staff	ARTHUR B. MIRA Engineer II	JERRY A. EBOÑA Head, EPDSS	GILBERT S. SALCEDO OIC-Chief, RAED	LUZ R. MARCELINO RTD for Operation and Extension	RODEL P. TORNILLA, MaBE Regional Executive Director	1 / 3
Sheet Content: AS-SHOWN							

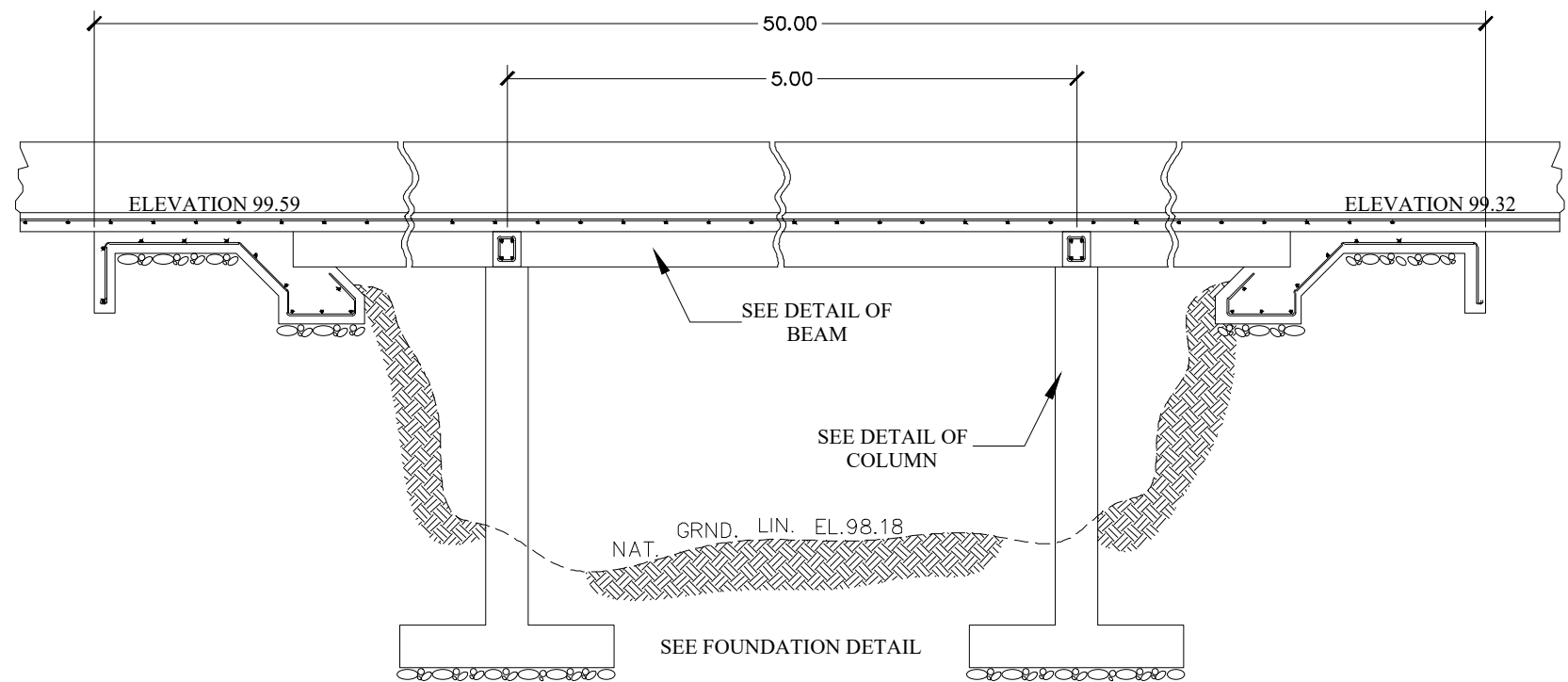


PROFILE OF FLUME

SCALE 1:200



PLAN



PROFILE ALONG CENTERLINE OF FLUME "A"

DET./SEC. OF FLUME "A"
SCALE 1: 50 MTS.

CONC. CLASS "A" WALL W/ 12mmØ VERTICAL BARS SPACED @ 0.30M O.C. AND 6-12mmØ LONGITUDINAL BARS SPACED AS SHOWN

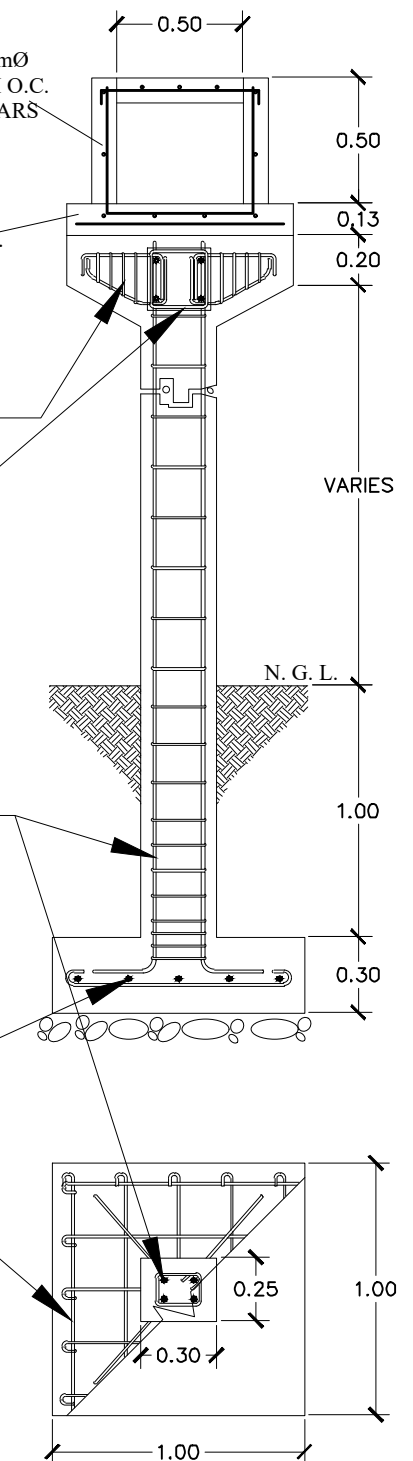
CONC. CLASS "A" FLOORING W/ 12mmØ RSB SPACED @ 0.20M O.C. BOTHWAYS

CONC. CANTILIVER BEAM W/ 4-12mmØ LONGITUDINAL BARS W/ 10mmØ STIRRUPS SPACED AS SHOWN

0.25MX0.25M BEAM 4-12mmØ LONGITUDINAL BARS W/ 10mmØ STIRRUPS SPACED 3@ 0.05M, 3@ 0.10M, 3@ 0.15M AND THE REST @ 0.20M.

4-16mmØ MAIN BARS W/ 10mmØ LAT. TIES SPACED 4 @ 0.05M, 4 @ 0.10M, 4 @ 0.15M AND THE REST @ 0.20M

14-16mmØ STEEL MATTING SPACED AS SHOWN



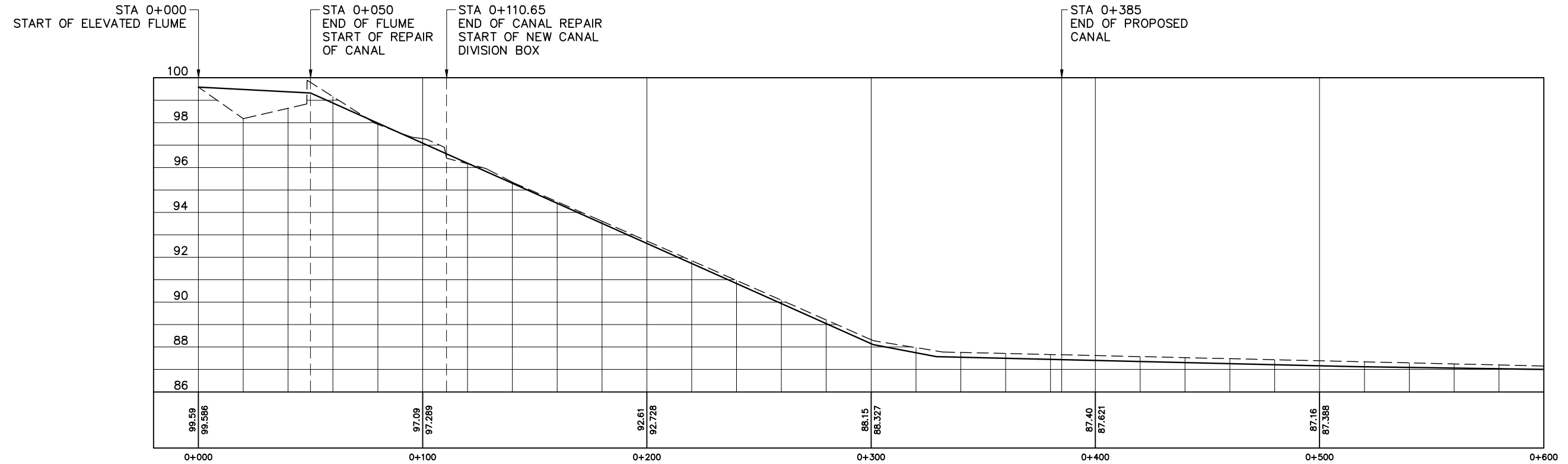
DET./SEC. OF FLUME COLUMN, BEAM & FOOTING
SCALE 1: 30 MTS.



Department of Agriculture
REGIONAL FIELD
OFFICE No. 5
SAN AGUSTIN PILI, CAMARINES SUR
REGIONAL AGRICULTURAL
ENGINEERING DIVISION

Title:	Prepared by:	Checked by:	Reviewed by:	Noted by:	Recommending Approval:	Approved:	Page No.
REPAIR / IMPROVEMENT & CANAL EXTENSION OF SUA DD Brgy. Sua, Camalig, Albay	JAD R. ATOLE Technical Staff	ARTHUR B. MIRA Engineer II	JERRY A. EBOÑA Head, EPDSS	GILBERT S. SALCEDO OIC-Chief, RAED	LUZ R. MARCELINO RTD for Operation and Extension	RODEL P. TORNILLA, MaBE Regional Executive Director	2 / 3
Sheet Content:	AS-SHOWN						

PROFILE OF CANAL



PROFILE OF CANAL

SCALE V 1:200 H 1:2000

2.44

2.71

DEPARTMENT OF AGRICULTURE
Regional Field Office No. 5
San Agustin, Pili, Camarines Sur

Project: _____
Cost: _____
Location: _____
Fund Source/s: _____
Contractor: _____
Brief Description of Project: _____

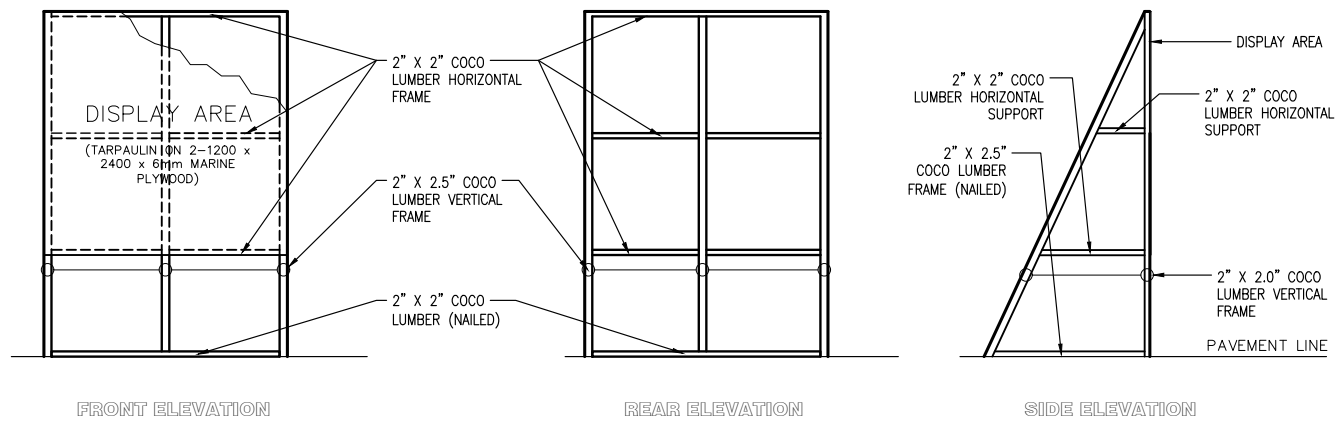
Project Details:

Project Date:		Project Status:						Remarks
Duration	Started	Target Date of Completion	Percentage of Completion	As of (Date)	Cost Incurred to Date	Date Completed		

For particulars or complaints about this project, please contact the Regional Office or Cluster which has audit jurisdiction on this project.

COA Regional Office No., Cluster: _____
Address: _____
Contact No.: _____

"A food secure Philippines with Prosperous farmers and fisherfolks"



PROJECT BILLBOARD

SCALE 1:NTS

<p>Department of Agriculture REGIONAL FIELD OFFICE No. 5 SAN AGUSTIN PILI, CAMARINES SUR REGIONAL AGRICULTURAL ENGINEERING DIVISION</p>	Title:	Prepared by:	Checked by:	Reviewed by:	Noted by:	Recommending Approval:	Approved:	Page No.
	<p>REPAIR / IMPROVEMENT & CANAL EXTENSION OF SUA DD Brgy. Sua, Camalig, Albay</p> <p>Sheet Content: AS-SHOWN</p>	<p>JAD R. ATOLE Technical Staff</p>	<p>ARTHUR B. MIRA Engineer II</p>	<p>JERRY A. EBOÑA Head, EPDSS</p>	<p>GILBERT S. SALCEDO OIC-Chief, RAED</p>	<p>LUZ R. MARCELINO RTD for Operation and Extension</p>	<p>RODEL P. TORNILLA, MaBE Regional Executive Director</p>	<p>3 / 3</p>